

# HELIPORT ROTATING BEACON

Model: ART-JCDB-01 (L)



Heliport Rotating Beacon

*High Visibility.*  
**Reliable Performance.**



ISO 9001:2015 QMS | ISO 45001:2018 HSE



HIGH  
VISIBILITY



RELIABLE  
PERFORMANCE



BUILT FOR  
DURABILITY



[www.alroufled.com](http://www.alroufled.com)



[sales@alroufled.com](mailto:sales@alroufled.com)

# HELIPORT ROTATING BEACON

Model: ART-JCDB-01 (L)



## FUNCTION & FEATURES



Stainless steel and aviation-grade aluminum alloy painted housing.



Advanced domestic LED optical system with long lifespan, high efficiency, and beam angles compliant with CAAC and ICAO requirements.



Fully domestically developed drive circuitry meeting military standards for operational lifespan and temperature tolerance.



Integrated surge protection device for reliable performance in harsh environments.

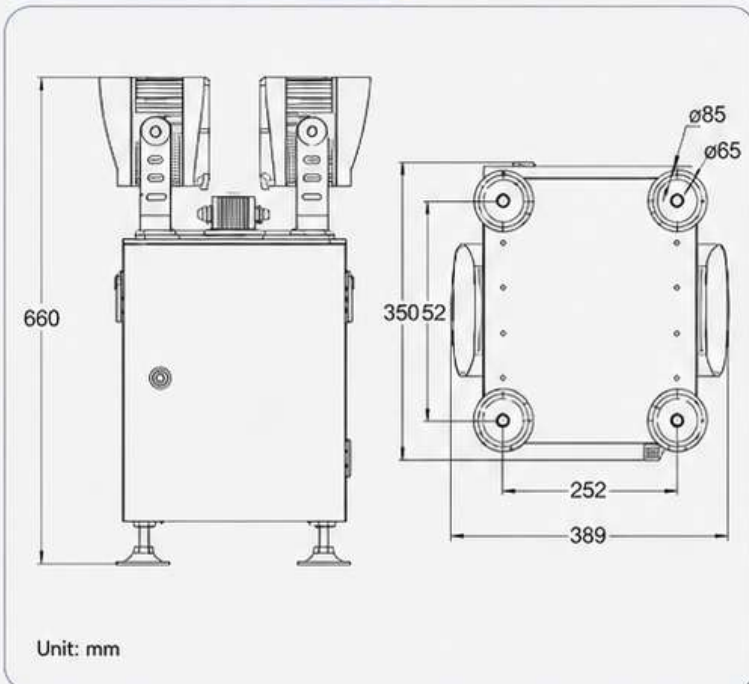


High-conductivity thermal management technology ensures superior heat dissipation and extended service life.



Resistant to impact, lightning, UV exposure, rain, snow, typhoons, hail, and other extreme weather conditions.

## DIMENSION DRAWING



## KEY SPECIFICATIONS

	Model:	ART-JCDB-01 (L)
	Optional Supply Voltage:	AC220V
	Power Consumption:	<150W
	Ambient Temperature:	-40°C - 55°C
	Ambient Humidity:	≤95%
	Altitude:	≤5500m
	IP Protection:	IP55 (Electrical Box), IP67 (Lighting Unit)
	Lighting Source:	LED
	Product Size:	421mm × 339mm × 660mm
	Vertical & Horizontal Beam Angle:	Both 60°
	Working Mode:	Flashing 36 cycles/minute
	Emitting Color:	White, Green, Yellow
	Weight:	24KG



## APPLICATION



### CIVIL AIRPORTS

Enhances heliport safety and visibility at international and regional airports.



### MILITARY AIRPORTS / AVIATION OPERATIONS

Built for reliability in mission-critical operations and demanding environments.



### OFFSHORE AIRCRAFT PLATFORMS

Engineered to perform in harsh marine conditions with high corrosion resistance.



### HELIPORTS / HELIPADS

Ideal for hospitals, urban rooftops, industrial sites, and private heliports.



## CERTIFICATIONS & STANDARDS



**ICAO**

International Civil Aviation Organization Annex 14



**SASO**

Saudi Standards, Metrology and Quality Organization

**FAA**

Federal Aviation Administration AC 150/5345-43



**ISO 9001:2015**

Quality Management Systems



**IP66**

Ingress Protection Rating



Please feel free to contact us using the form below. We look forward to assisting you.



Mob : +966 555 828 366



Tel : 9200-13524



Email: sales@alroufled.com



www.alroufled.com