

**alrouf**  
LIGHTING TECHNOLOGY CO.Ltd.



**شركة الروف**  
لتقنية الإنارة المحدودة



# COMMERCIAL & RETAIL LIGHTING

[www.alroufled.com](http://www.alroufled.com)





# LED RETAIL LIGHTING

alrouf LED offers a diverse selection of retail LED lighting that helps brighten your entire retail landscape. LED lighting renders colors more accurately with less heat, gains efficiency at lower temperatures and saves up to 70% on energy costs. LED light fixtures are the perfect solution for a broad range of Retail and high bay, street lighting projects, including food processing, refrigerated spaces, warehouses, gymnasiums, natatoriums, cafeterias, highceiling retail, auditoriums and convention centers.



# Table of

# T N E T N O O

## 01-09

About all roof \_\_\_\_\_

## 10-15

LED Tube Light \_\_\_\_\_

## 16-25

Retail Linear Light \_\_\_\_\_

## 26-29

LED Panel Light \_\_\_\_\_

## 30-47

LED Down Light \_\_\_\_\_

## 48-51

LED Track Proof \_\_\_\_\_

## 52-56

LED Emergency Exit Light \_\_\_\_\_

## 57

LED Industrial Lighting \_\_\_\_\_

## 58-61

Our Specified Field of Lighting \_\_\_\_\_

## 62-67

Industrial Linear Light Series \_\_\_\_\_

## 68-77

LED High Bay Light Series \_\_\_\_\_

## 78-83

LED Street Light Series \_\_\_\_\_



# Table of

# T N E T N O O

**84-97**  
LED Flood Light Series \_\_\_\_\_

**98-105**  
LED Explosion Proof Light Series \_\_\_\_\_

**106-109**  
LED High Mast Light Series \_\_\_\_\_

**110-117**  
Aviation Lights \_\_\_\_\_

**118-123**  
LED Canopy Light Series \_\_\_\_\_

**124-125**  
Lighting Design \_\_\_\_\_

**126**  
Project Cycle \_\_\_\_\_

**127**  
Case Study \_\_\_\_\_

**128-129**  
Completed Project \_\_\_\_\_

**130**  
List of Retail Clients \_\_\_\_\_

**131**  
Vendor Code \_\_\_\_\_

**132**  
Contact \_\_\_\_\_



# What's Special about **alrouf LED**

**Looking forward to  
get in touch with you**

**Lighting for us is not  
a Job it is a Passion**

I take immense pleasure in introducing to you Al Rouf Lighting Technology Company, A Saudi well established company in the business of importing, exporting, supplying and installation of LED lighting Fixtures. We understand today's global focus on power saving which reflects directly on the survival of natural resources, therefore we concentrated our scope of work on well manufactured high-efficient LED products. Supported by a well known partners such as Philips, Pelsan, Dialight and Fiberli. We undertake bulk operations of street lighting, factories, warehouses, offices, schools, airports and all kinds of construction projects. Keeping and carrying out a true commitment to improve and lead the lighting business in the Kingdom. We will be honored to arrange a personal introductory session to further emphasize on our company's capabilities whenever it is needed.

## Where it all **Began...**

Alrouf Lighting Technology Co. Ltd is part of Alrouf group consisting of Alrouf Construction and Alrouf Factory started back in 1995.

Alrouf Constructions is specializes in industrial construction activities including Civil, Mechanical and Electrical works.

Alrouf Factory is an electrical accessories manufacturers located in second industrial area in Dammam that manufactures electrical metallic pipes and switch boxes.

Alrouf Electrical Accessories Manufacturer started business early in 2003, and has taken care to its customers and maintenance quality ever since. To this end the company employs a highly efficient team with long experience in a variety of specialization. We are confident of executing our work to the highest standards and quality. The company leads in the field of electrical accessories.



1

Consultation

2

Lighting Design

3

Material Supply

4

Installation

5

Maintenance

# Our Goals and Mission

We are not just a company, we are unique solution provider that aims the satisfaction of their clients in every step of the project.

We combine the experience with art and engineering to provide a solution that meets the clients requirements. With the help of our high qualified staff, we provide lighting service from A to Z in all manners starting from the lighting design and the products selection, going through the logistic and martial handling until the installation part.





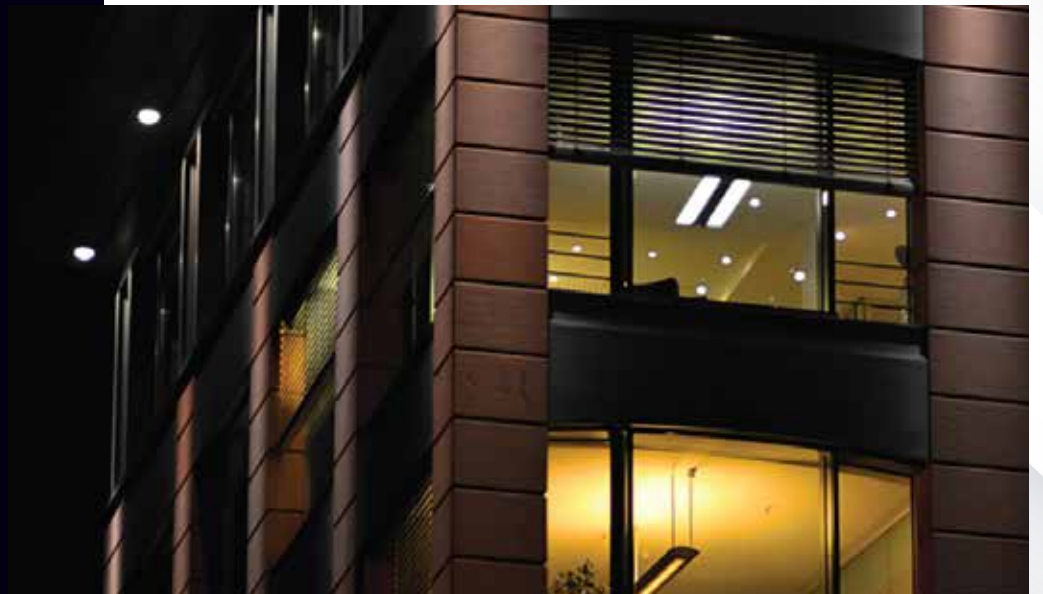
# RETAIL LIGHTING

## Our Specified Field of Lighting

To gratify and delight for clients by designing and providing perfect lighting solutions, embracing the creative abilities of our talented engineer, with our unique range of lighting products.

Alrouf LED is one such creative endeavour of ours that is designed to make your lives brighter Only the time, we added a little twist to the tale.





# LED Tube Light Series







## Features:

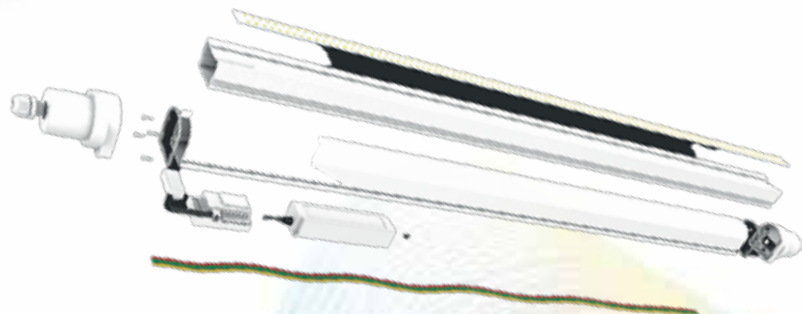
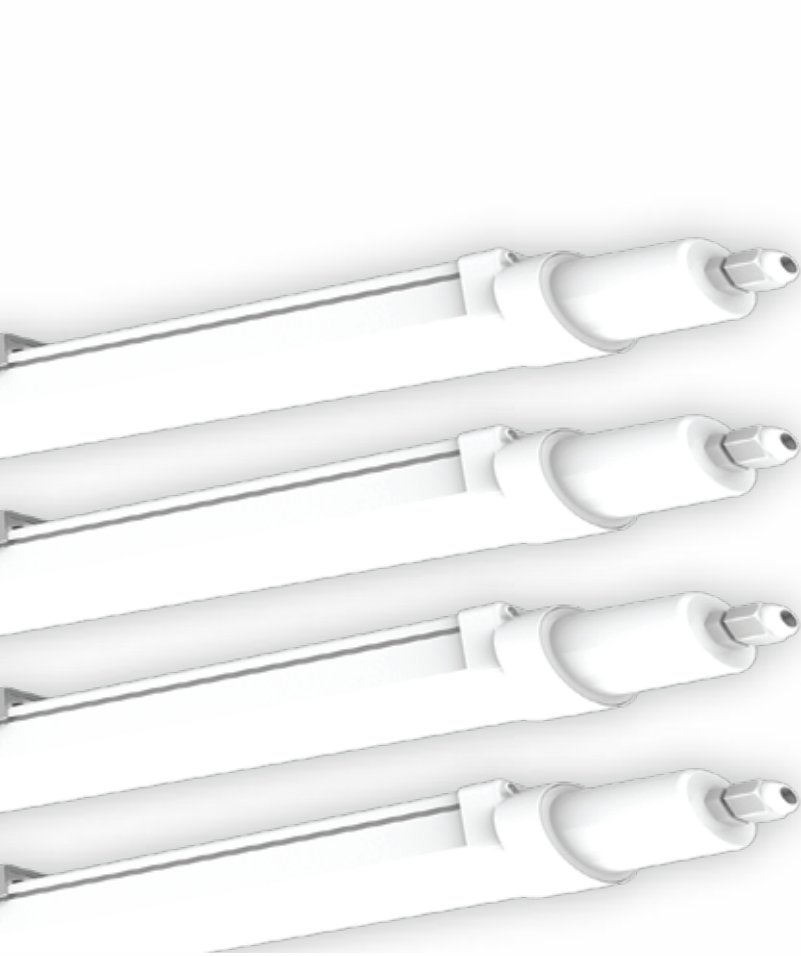
- Highly energy efficient - up to 124 lm/w
- Rated nominal Lifetime 50.000 hours
- Quick and Easy Installation
- Operating temp-20~ +50°C
- No UV & IR Completely Mercury free
- Warranty: 5 years
- Certificates CE (EMC, RoHS)

## Technical Specification

Sl.No.	Model No.	Power (Watt)	Lumen(LM)	CRI.	Color Temp (CCT).	Beam Angle	N.W(KG)	Materials	Power Factor (PF)	Dimention mm	LED Type
01	KB-ART8-09W	09W	1110±100	>80Ra	3000K to 6500K.	180°	0.15	Al+PC	>0.7	600 mm	2835
02	KB-ART8-14W	14W	1720±150	>80Ra	3000K to 6500K.	180°	0.20	Al+PC	>0.7	900 mm	2835
03	KB-ART8-18W	18W	2200±200	>80Ra	3000K to 6500K.	180°	0.25	Al+PC	>0.7	1200 mm	2835
04	KB-ART8-24W	24W	2660±300	>80Ra	3000K to 6500K.	180°	0.30	Al+PC	>0.7	1500 mm	2835

# LED S integrated Tube

## FL-ARLNS15-60



### Driver Brand



### Chip Brand



### CERTIFICATS



AC100-277V

50/60Hz

2500-6500(K)

RA>80

IP65

50,000 Hours





## Features:

- Highly energy efficient - up to 124 lm/w
- Rated nominal Lifetime 50.000 hours
- Quick and Easy Installation
- Operating temp-20~ +50°C
- No UV & IR Completely Mercury free
- Warranty: 5 years
- Certificates CE (EMC, RoHS)

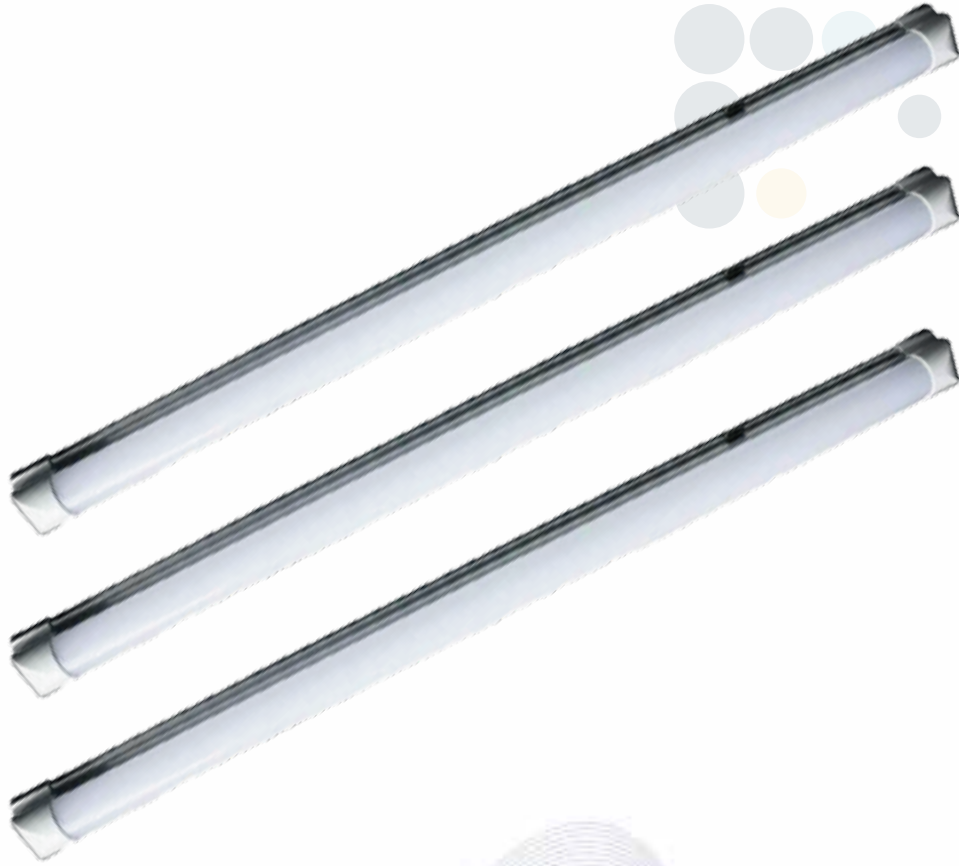
## Technical Specification

## Technical Specification

SL.No.	Model No.	Power (Watt)	Lumen(LM)	CRI.	Color Temp (CCT).	Beam Angle	N.W(KG)	Materials	Power Factor (PF)	Dimention mm	LED Type
01	KB-ART8-09W	09W	1110*100	>80Ra	3000K to 6500K.	180°	0.15	Al+PC	>0.7	600 mm	2835
02	KB-ART8-14W	14W	1720*150	>80Ra	3000K to 6500K.	180°	0.20	Al+PC	>0.7	900 mm	2835
03	KB-ART8-18W	18W	2200*200	>80Ra	3000K to 6500K.	180°	0.25	Al+PC	>0.7	1200 mm	2835
04	KB-ART8-24W	24W	2660*300	>80Ra	3000K to 6500K.	180°	0.30	Al+PC	>0.7	1500 mm	2835

# LED S integrated Tube

## FL-ARLNS15-60



### Driver Brand



### Chip Brand



### CERTIFICATS



AC100-277V

50/60Hz

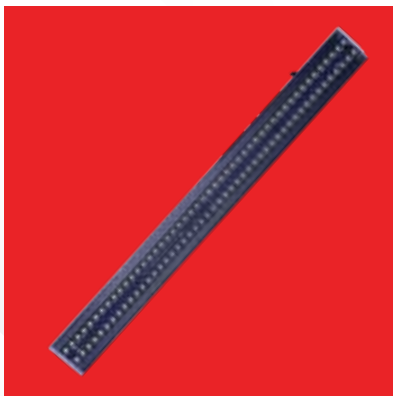
2500-6500(K)

RA>80

IP65

50,000 Hours

# Retail Linear Light Series









## Features:

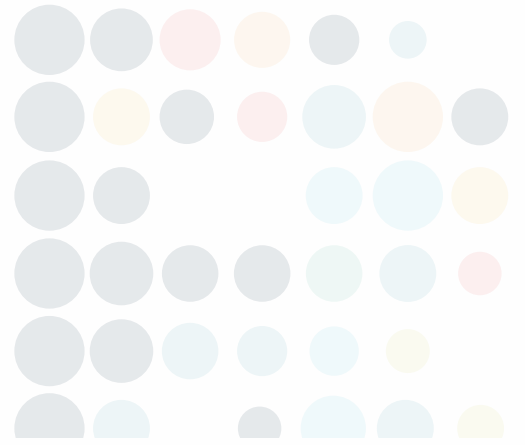
- Highly energy efficient - up to 124 lm/w
- Rated nominal Lifetime 50.000 hours
- Quick and Easy Installation
- Operating temp-20~ +50°C
- No UV & IR Completely Mercury free
- Warranty: 5 years
- Certificates CE (EMC, RoHS)

## Technical Specification

SL.No.	Model No.	Power (Watt)	Lumen(LM)	CRI.	Color Temp (CCT).	Beam Angle	N.W(KG)	Materials	Power Factor (PF)	Dimention mm	LED Type
01	FL-ARLNS06-20	20W	2700±100	>80Ra	3000K to 6000K.	120°	0.9	Al+PC	>0.9	710x71x73	2835
02	FL-ARLNS06-30	30W	3900±150	>80Ra	3000K to 6000K.	120°	0.9	Al+PC	>0.9	710x71x73	2835
03	FL-ARLNS12-40	40W	5400±200	>80Ra	3000K to 6000K.	120°	02	Al+PC	>0.9	1320x71x73	2835
04	FL-ARLNS12-60	60W	7800±300	>80Ra	3000K to 6000K.	120°	02	Al+PC	>0.9	1320x71x73	2835
05	FL-ARLNS15-60	60W	8100±300	>80Ra	3000K to 6000K.	120°	2.4	Al+PC	>0.9	1620x71x73	2835
06	FL-ARLNS15-75	75W	9700±375	>80Ra	3000K to 6000K.	120°	2.4	Al+PC	>0.9	1620x71x73	2835
07	FL-ARLNS24-80	60W	10800±400	>80Ra	3000K to 6000K.	120°	3.8	Al+PC	>0.9	2370x72x78	2835

# LED S Line Linear Light

## FL-ARLNL12-60



### Driver Brand



### Chip Brand



### CERTIFICATS



AC100-277V

50/60Hz

2500-6500(K)

RA>80

IP65

50,000 Hours



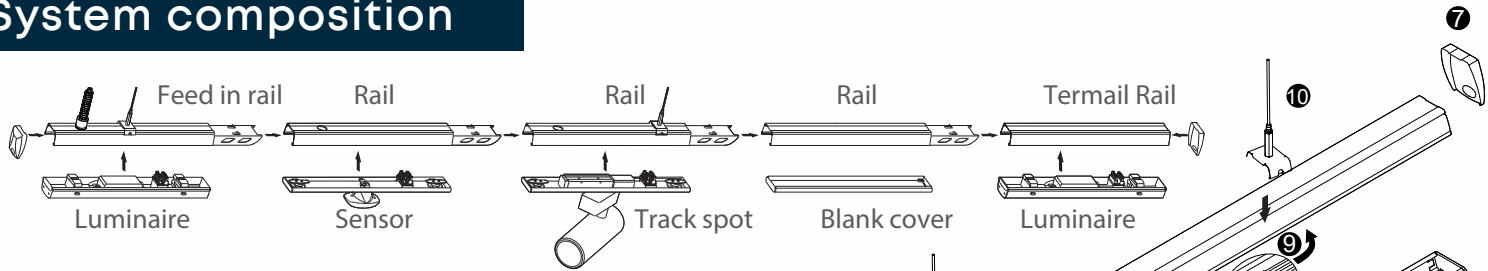
# LED S Line Linear Light Installation Manual



## Safety notes:

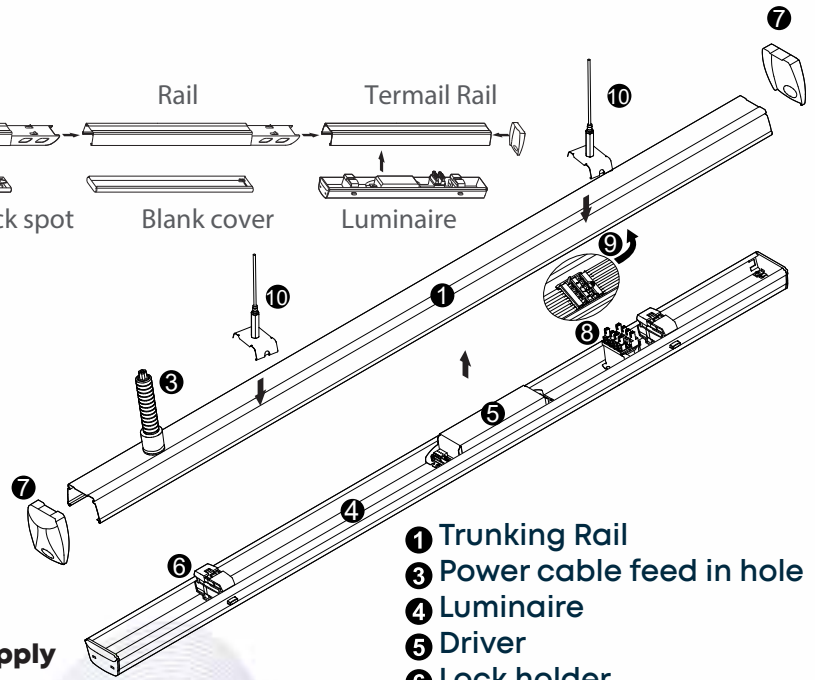
- Installation should be performed only by qualified electrician .
- Make sure no voltage while installation.
- Connect cable wires according to wire labeling.
- Max current should not exceed 16A in one power feed in circu

## System composition



## Terminal module

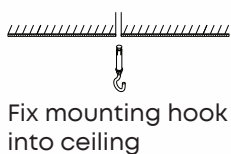
Terminal module can be independently installed as a single unit, it also can be connected at end of one linear light row.



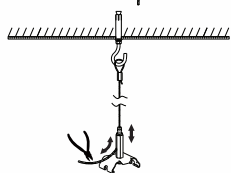
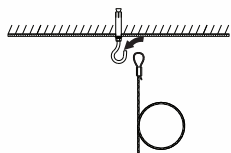
- 1 Trunking Rail
- 3 Power cable feed in hole
- 4 Luminaire
- 5 Driver
- 6 Lock holder
- 7 End cap
- 8 Male connector
- 9 Female connector
- 10 Installation cord

### Step 1

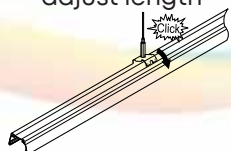
#### Mounting Suspension Drill a hole on ceiling



Fix mounting hook into ceiling



Adjust length of suspension cord:  
a. press down Hexagon bolt;  
b. Pull in/out cord to adjust length



Click in mounting clip into trunking rail

### Step 2

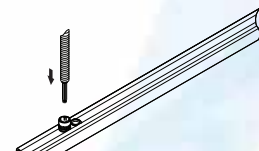
#### Connecting Power Supply



Cut the Rubber cap to pass the power cable



Screw in the conduit gland



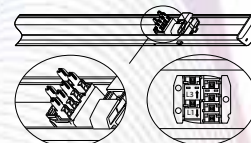
Put in conduit with cable inside and pull up conduit gland to lock



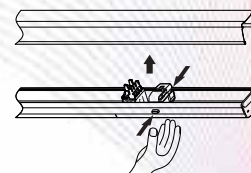
Connect wires according labeling on wires to feed in connector then connect to connector in trunking rail

### Step 3

#### Mounting Luminaire



Slide knob to select phase L1/L2/L3



Make sure male & female connectors in right position then fix the luminaire to trunking rail



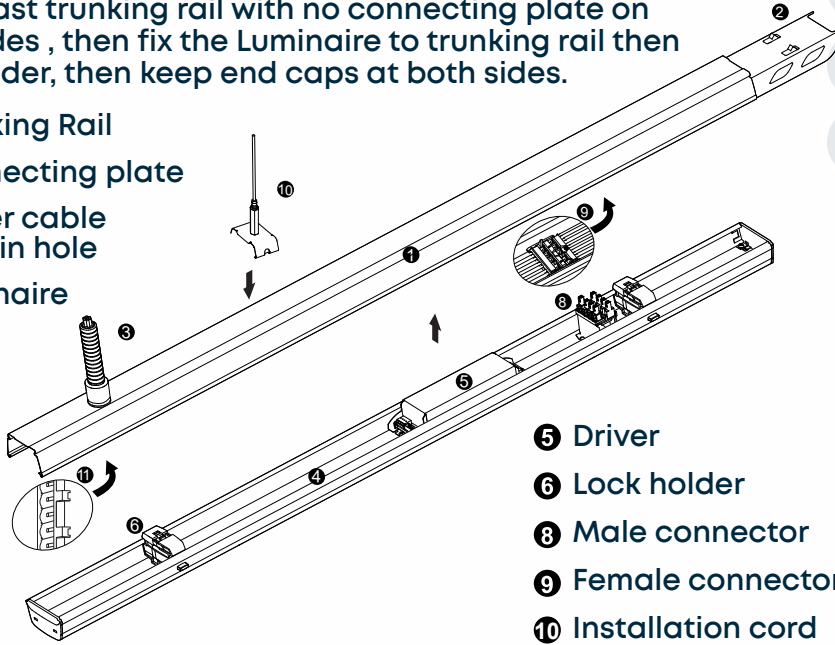
Push the sliding lock to lock the luminaire to trunking rail

# LED S Line Linear Light Installation Manual

## Tracking and luminaire:

First trunking rail should have one side connecting plate & last trunking rail with no connecting plate on both sides, then fix the Luminaire to trunking rail then lock holder, then keep end caps at both sides.

- ① Trunking Rail
- ② Connecting plate
- ③ Power cable feed in hole
- ④ Luminaire



- ⑤ Driver
- ⑥ Lock holder
- ⑧ Male connector
- ⑨ Female connector
- ⑩ Installation cord

### ⑪ Definition of 5-core 8-core and 12-core trunking rail

#### 5-core trunking rail

① ② ③ ④ ⑤  
L1 N L2 PE L3

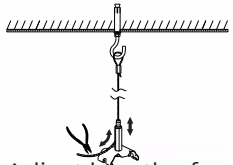
#### 8-core trunking rail

① ② ③ ④ ⑤ ⑥ ⑦ ⑧  
CHR L1 N L2 PE L3 DIM+ DIM-  
CHR L1 N L2 PE L3 DA/L DA/N  
CHR L1 N L2 PE L3 EL1 EN1

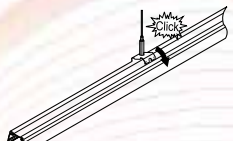
#### 12-core trunking rail

① ② ③ ④ ⑤ ⑥ ⑦ ⑧ ⑨ ⑩ ⑪ ⑫  
CHR L1 N L2 PE L3 DIM+ DIM- EL1 EN1 EN2 EL2  
CHR L1 N L2 PE L3 DA/L DA/N EL1 EN1 EN2 EL2  
CHR L1 N1 L2 PE L3 DIM+ DIM- L4 N2 L5 L6  
CHR L1 N1 L2 PE L3 DA/L DA/N L4 N2 L5 L6

### Step 1 Mounting Suspension

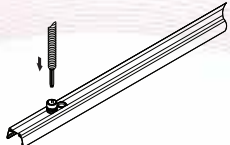


Adjust length of suspension cord:  
a. press down Hexagon bolt;  
b. Pull in/out cord to adjust length



Click in mounting clip into trunking rail

### Step 2 Connecting Power Supply



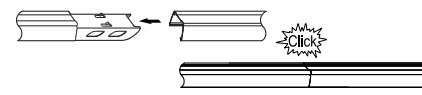
Put in conduit with cable inside and pull up conduit gland to lock



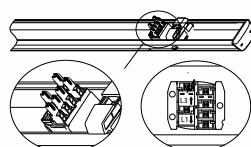
Connect wires according labeling on wires to feed in connector then connect to connector in trunking rail

### Step 3 Connecting Trunking Rail

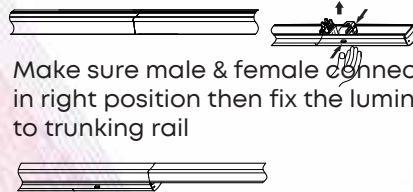
Both trunking rails should keep in perfect position then push to click



### Step 4 Mounting Luminaire

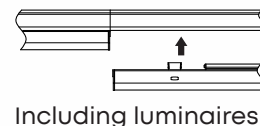


Slide knob to select phase L1/L2/L3



Make sure male & female connectors in right position then fix the luminaire to trunking rail

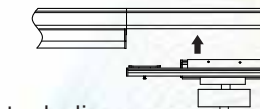
### Step 5 LED linear lighting system



Including luminaires



Including luminaires and sensor



Including luminaires and spotlight



Including luminaires and black cover

### Four options for installation



Surfacing mounting kit



Rod hanger



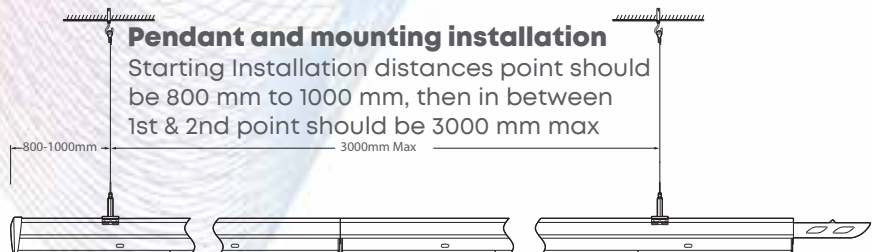
Cord hanger



Chain hanger

### Pendant and mounting installation

Starting Installation distances point should be 800 mm to 1000 mm, then in between 1st & 2nd point should be 3000 mm max





## Features:

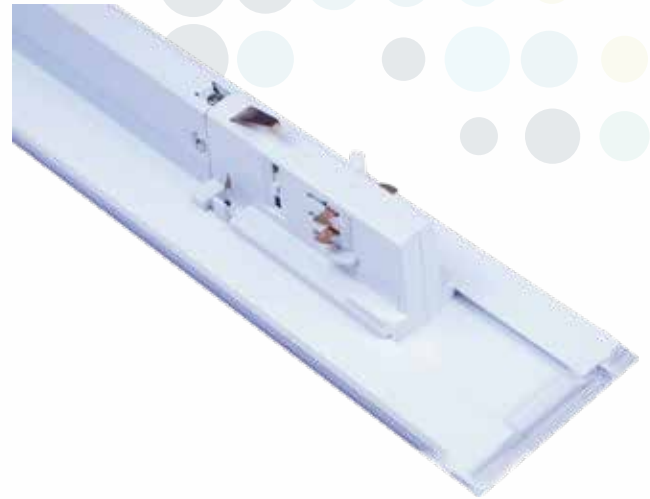
- Highly energy efficient - up to 130 lm/w
- High Luminous flux - up to 14.300lm
- Rated nominal Lifetime 50.000 hours
- Quick and Easy Installation
- Operating temp-20~ +60°C
- No UV & IR Completely Mercury free
- Warranty: 5 years
- Cerrificates CE (EMC, LVD, RoHS), D-Mark,UL, FCC, DLC

## Technical Specification

SL.No.	Model No.	Power (Watt)	Lumen(LM)	CRI.	Color Temp (CCT).	Beam Angle	N.W(KG)	Materials	Power Factor (PF)	Dimention mm	LED Type
01	FL-ARLNS06-20	20W	2700±100	>80Ra	3000K to 6000K.	120°	0.9	Al+PC	>0.9	710x71x73	2835
02	FL-ARLNS06-30	30W	3900±150	>80Ra	3000K to 6000K.	120°	0.9	Al+PC	>0.9	710x71x73	2835
03	FL-ARLNS12-40	40W	5400±200	>80Ra	3000K to 6000K.	120°	02	Al+PC	>0.9	1320x71x73	2835
04	FL-ARLNS12-60	60W	7800±300	>80Ra	3000K to 6000K.	120°	02	Al+PC	>0.9	1320x71x73	2835
05	FL-ARLNS15-60	60W	8100±300	>80Ra	3000K to 6000K.	120°	2.4	Al+PC	>0.9	1620x71x73	2835
06	FL-ARLNS15-75	75W	9700±375	>80Ra	3000K to 6000K.	120°	2.4	Al+PC	>0.9	1620x71x73	2835
07	FL-ARLNS24-80	60W	10800±400	>80Ra	3000K to 6000K.	120°	3.8	Al+PC	>0.9	2370x72x78	2835
08	FL-ARLNS110-24	75W	14300±500	>80Ra	3000K to 6000K.	120°	3.8	Al+PC	>0.9	2370x72x78	2835

# LED T Line Linear Light

## FL-ARLNS15-60



### Driver Brand



### Chip Brand



### CERTIFICATS



AC100-277V

50/60Hz

2500-6500(K)

RA>80

IP65

50,000 Hours

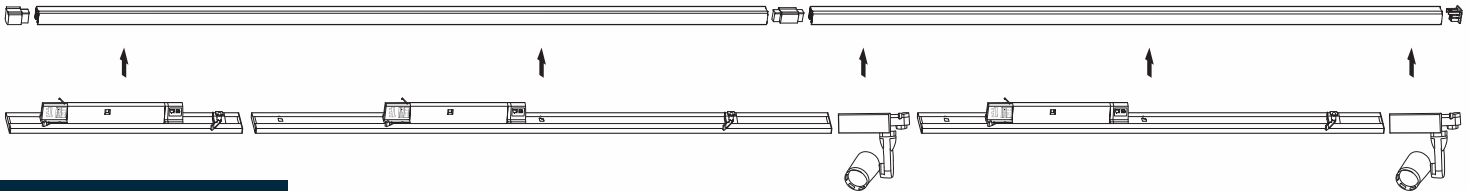


# LED T Line Linear Light Installation Manual



## Safety notes

Installation must be performed only by qualified electrician.  
Make sure that the fixture is disconnected from the AC supply  
This luminaire is to be installed in 4-wires/3phase trackrails.  
The maximum current cannot exceed 10A



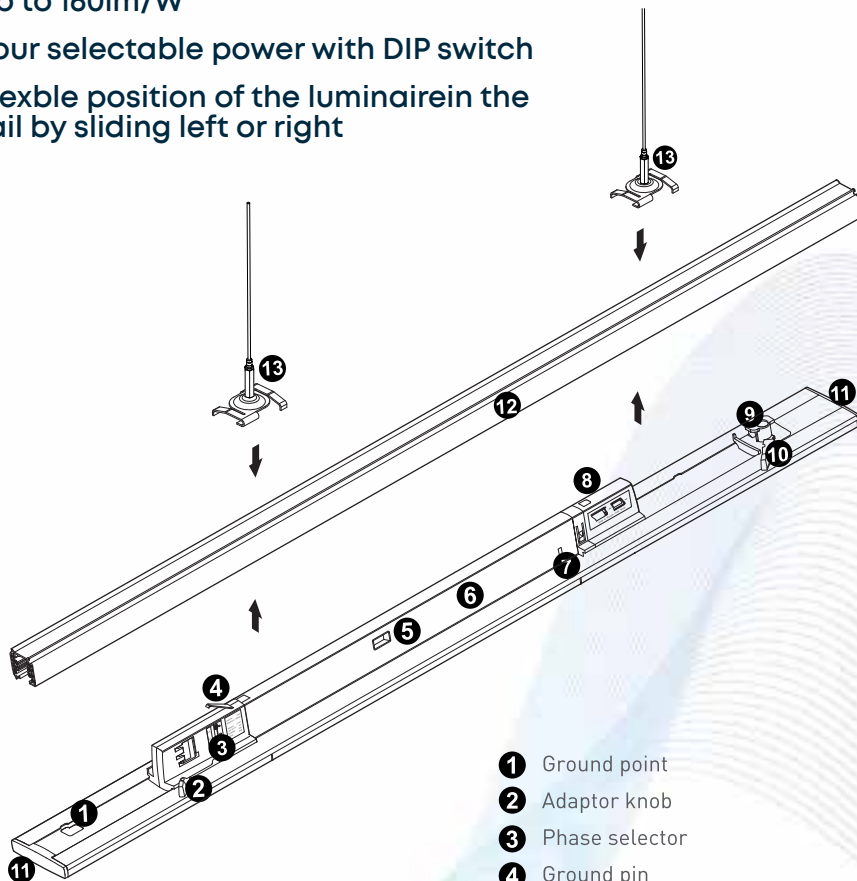
## Features:

Perfect solution for the retail business, shop, and supermarkets.

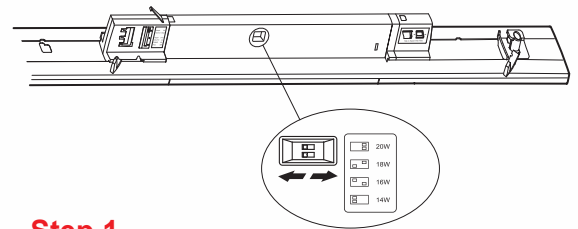
Excellent quality with high efficiency up to 160lm/W

Four selectable power with DIP switch

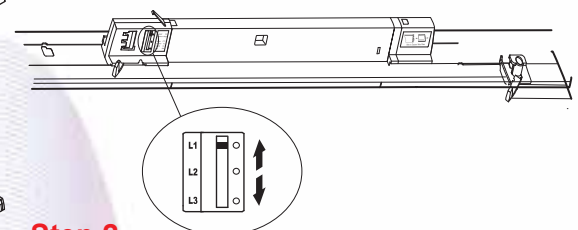
Flexible position of the luminaire in the rail by sliding left or right



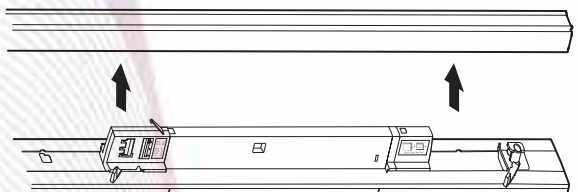
- 1 Ground point
- 2 Adaptor knob
- 3 Phase selector
- 4 Ground pin
- 5 Power selector
- 6 LED driver
- 7 Wires lock
- 8 Wires box
- 9 Fixing lock
- 10 Fixing knob
- 11 End cap
- 12 Track rail
- 13 Suspension kit



**Step 1**  
Set the power in the 5 power selector DIP switch.



**Step 2**  
Choose the phase/circuit in the 3 phase selector DIP switch.



**Step 3**  
Insert the T-line luminaire into track rail with the correct direction.



**Step 4**  
Lock the luminaire with the 2 adaptor knob and the 10 fixing knob by rotating the knob clockwise.



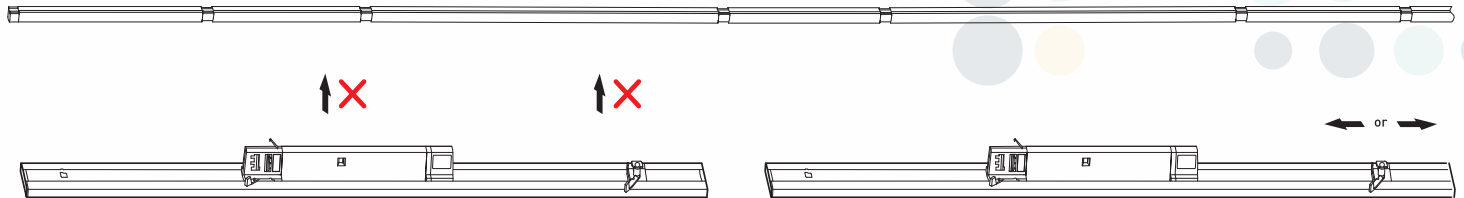
# LED T Line Linear Light Installation Manual

## installation

How to avoid the track rail joints during installation

There are 4 moveable positions for the LED driver in the luminaire.

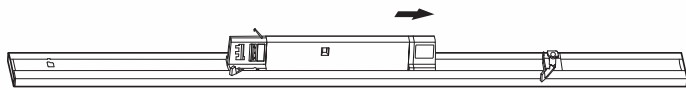
There are 2 moveable positions of the fixing lock in the T-line luminaire



If the **12 track rail** joint interferes with the position of the **9 Fixing lock**, follow the instruction of **Step 1**

### Step 1

Slide the **9 Fixing lock** left to right to the second position to avoid the **12 track rail** joint

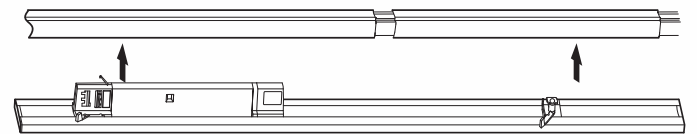
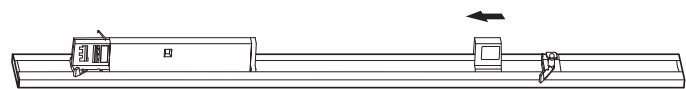


### Step 2

Expose the wires in the **8 wires box** by moving it to right

### Step 3

If the **12 track rail** joint interferes with the position of the **6 LED driver**, follow the instruction of **Step 2 to Step 5**



### Step 4

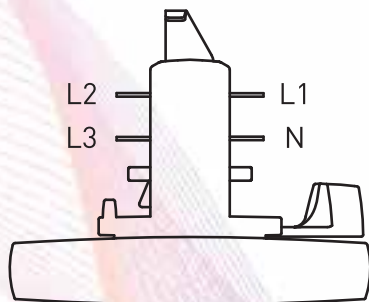
Slide the **8 wires box** near the **6 LED driver**. Tidy up the wires and hide by sliding the **8 wires box** back

### Step 5

Install the **T-line luminaire** into the **12 track rail**

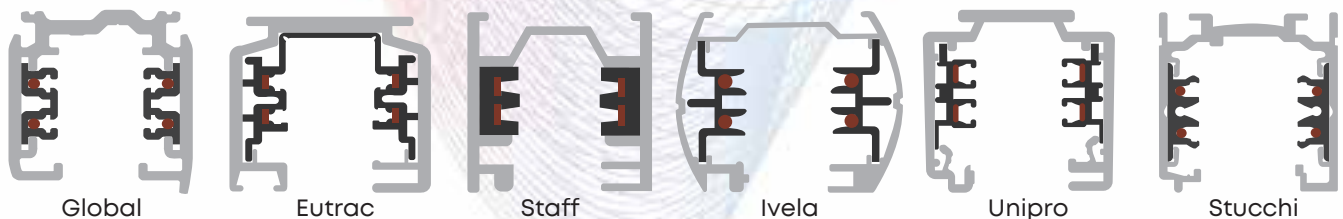
## Track rail

### Track rail (4wires/3phase) European standard



- L1** L1 as a phase
- L2** L2 as a phase
- L3** L3 as a phase
- N** Neutral Conductor

## Recommend track rail brands



# LED Panel Light Series







## Features:

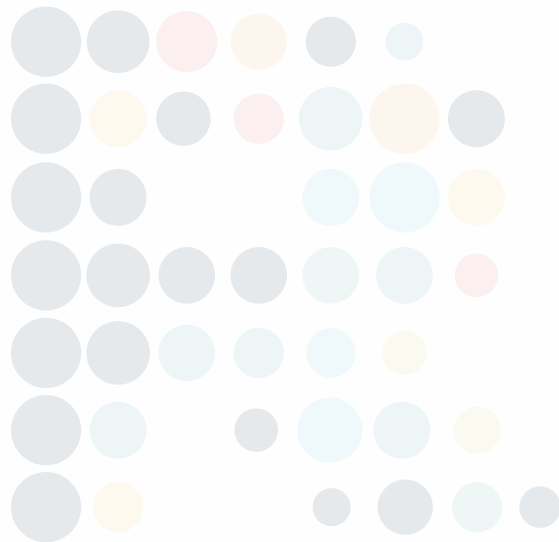
- Highly energy efficient - up to 114 lm/w
- Rated nominal Lifetime 50,000 hours
- Quick and Easy Installation
- Protection IP20
- Operating temp-20~ +50°C
- No UV & IR Completely Mercury free
- Warranty: 5 years
- Certificates CE (EMC, RoHS)

## Technical Specification

Sl.No.	Model No.	Power (Watt)	Lumen(LM)	CRI.	Color Temp (CCT).	Beam Angle	N.W(KG)	Materials	Power Factor (PF)	Dimention mm	LED Type
01	PTB-ARPL2-40W	40W	4550±5	>80Ra	3000K to 6000K.	120°	0.5	Al+PC	>0.9	600x600x24	2835
02	PTB-ARPL4-60W	60W	6890±150	>80Ra	3000K to 6000K.	120°	0.7	Al+PC	>0.9	600x1200x24	2835

# LED Panel Light

## PTB-ALPL2-40W



### Driver Brand



### Chip Brand



### CERTIFICATS



AC100-277V

50/60Hz

2500-6500(K)

RA>80

IP 20



50,000 Hours



# LED Down Light Series







## Features:

- Highly energy efficient - up to 100 lm/w
- Rated nominal Lifetime 50,000 hours
- Quick and Easy Installation
- Operating temp-20~ +40°C
- No UV & IR Completely Mercury free
- Warranty: 5 years
- Certificates CE (EMC,RoHS)

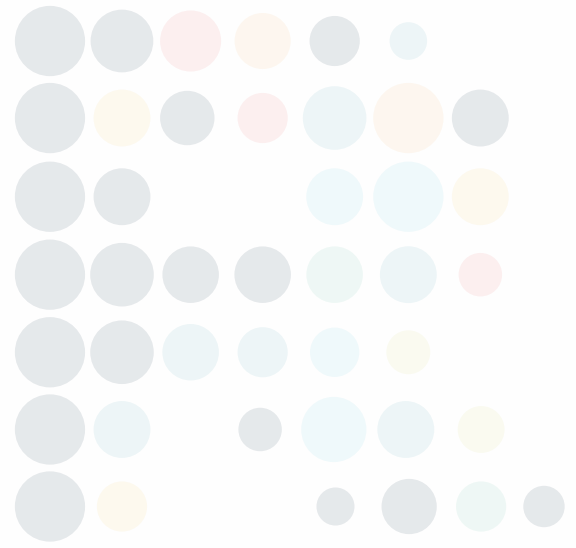
## Technical Specification

Sl.No.	Model No.	Power (Watt)	Lumen(LM)	CRI.	Color Temp (CCT).	Beam Angle	N.W(KG)	Materials	Power Factor (PF)	Dimention mm	LED Type
01	FL-ARDL-06W	06W	600lm	>80Ra	3000K to 6000K.	30°	0.15	Al+PC	>0.7	-	2835
02	FL-ARDL-08W	08W	800lm	>80Ra	3000K to 6000K.	30°	0.15	Al+PC	>0.7	-	2835
03	FL-ARDL-12W	12W	1200lm	>80Ra	3000K to 6000K.	30°	0.25	Al+PC	>0.7	-	2835
04	FL-ARDL-15W	15W	1500lm	>80Ra	3000K to 6000K.	30°	0.25	Al+PC	>0.7	-	2835
05	FL-ARDL-20W	20W	2000lm	>80Ra	3000K to 6000K.	30°	0.30	Al+PC	>0.7	-	2835
06	FL-ARDL-25W	25W	2500lm	>80Ra	3000K to 6000K.	30°	0.35	Al+PC	>0.7	-	2835



# LED Down Light

## FL-ARDL-12W



### Driver Brand



### Chip Brand



### CERTIFICATS



AC100-277V

50/60Hz

2500-6500(K)

RA>80

IP 20



50,000 Hours





## Features:

- Highly energy efficient - up to 100 lm/w
- Rated nominal Lifetime 50,000 hours
- Quick and Easy Installation
- IP20 Protecting grade
- Operating temp-20~ +40°C
- No UV & IR Completely Mercury free
- Warranty: 5 years
- Certificates CE (EMC,RoHS)

## Technical Specification

SL.No.	Model No.	Power (Watt)	Lumen(LM)	CRI.	Color Temp (CCT).	Beam Angle	N.W(KG)	Materials	Power Factor (PF)	Dimention mm	LED Type
001	FL-ARCL2-12W	12W	1680lm	>80Ra	3000K to 5000K.	30°	0.25	Al+PC	>0.7	-	2835
02	FL-ARCL2-22W	22W	3080lm	>80Ra	3000K to 5000K.	30°	0.40	Al+PC	>0.7	-	2835
03	FL-ARCL2-24W	24W	3360m	>80Ra	3000K to 5000K.	30°	0.50	Al+PC	>0.7	-	2835
04	FL-ARCL2-31W	31W	4340lm	>80Ra	3000K to 5000K.	30°	0.50	Al+PC	>0.7	-	2835
05	FL-ARCL2-36	36W	5040lm	>80Ra	3000K to 5000K.	30°	0.60	Al+PC	>0.7	-	2835

# LED Down Light

## FL-ARLNL12-60



### Driver Brand and Diagram



### Chip Brand



### CERTIFICATS



AC100-277V

50/60Hz

2500-6500(K)

RA>80

IP65

50,000 Hours



## Features:

- Highly energy efficient - up to 100 lm/w
- Rated nominal Lifetime 50,000 hours
- Quick and Easy Installation
- IP44 Protecting grade
- Operating temp-20~ +40°C
- No UV & IR Completely Mercury free
- Warranty: 5 years
- Certificates CE (EMC,RoHS)

## Technical Specification

Sl.No.	Model No.	Power (Watt)	Lumen(LM)	CRI.	Color Temp (CCT).	Beam Angle	N.W(KG)	Materials	Power Factor (PF)	Dimension mm	LED Type
01	TLX 9631	2x16W	4200lm	3000K	-	30°	0.25	Al+PC	>0.7	390x160	2835
02	TLX 9631	1x16W	2100lm	3000K	-	30°	0.40	Al+PC	>0.7	390x160	2835
03	TLX 9752	2x36W	10,200lm	3000K	-	30°	0.50	Al+PC	>0.7	390x160	2835

# LED Down Light

## FL-ARLNL12-60



### Driver Brand



### Chip Brand



### CERTIFICATS



AC100-277V

50/60Hz

2500-6500(K)

RA>80

IP 20

50,000 Hours



### Easy and swift installation

Independent design of the product's appearance, Snap-on modular structure, Easy installation and maintenance.

### High reflection efficiency

Precise reflector design, Use of electroplating and nano-painting technology, High reflection efficiency, Provides highly efficient light.

### Reliable structure, Providing an esthetic lighting effect

Simple, straightforward installation to avoid damage to the ceiling, natural and visually consistent.

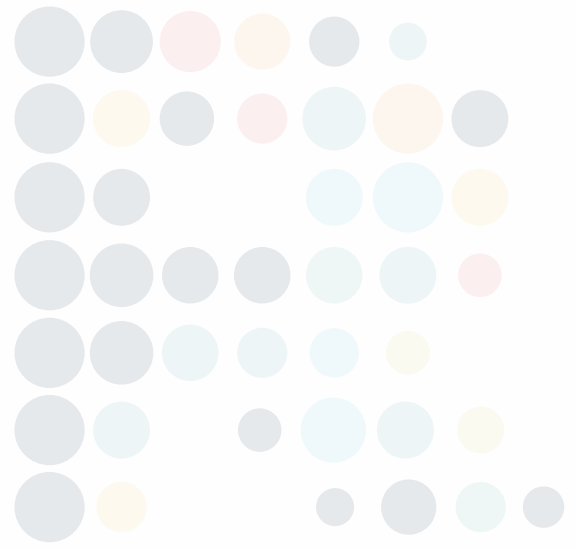
### Suitable for use in

high-end hotels, villas, mansions; Provides with a comfortable and healthy lighting space.

Item No.	Power	Cut out	Size	Lumens	Beam angle	Light Source	IP	Input voltage
WFR0650	6W	Φ50mm	Φ60x75mm	308 lm/338 lm/354 lm/376 lm	10°/15°/24°/38°	PHILIPS /CITIZEN	IP20	AC100-277V & AC200-240V
WTR0650	6W	Φ50mm	Φ60x78mm	308 lm/338 lm/354 lm/376 lm	10°/15°/24°/38°			
WFR1275	12W	Φ75mm	Φ86x104mm	722 lm/794 lm/830 lm/881 lm	10°/15°/24°/38°/50°			
WTR1275	12W	Φ75mm	Φ86x109mm	722 lm/794 lm/830 lm/881 lm	10°/15°/24°/38°/50°			
WFR2095	20W	Φ95mm	Φ106x119mm	1023 lm/1125 lm/1176 lm/1248 lm	12°/15°/24°/38°/55°			
WTR2095	20W	Φ95mm	Φ106x126mm	1023 lm/1125 lm/1176 lm/1248 lm	10°/15°/24°/38°/50°			
WFR30120	30W	Φ120mm	Φ132x145mm	1502 lm/1652 lm/1727 lm/1832 lm	10°/15°/24°/38°/55°			
WTR30120	30W	Φ120mm	Φ132x155mm	1502 lm/1652 lm/1727 lm/1832 lm	10°/15°/24°/38°/55°			

# W Series

## Framed LED Downlight



### Driver Brand



### Chip Brand



### CERTIFICATS





## Features:

### Easy and swift installation

Independent design of the product's appearance, Snap-on modular structure, Easy installation and maintenance.

### High reflection efficiency

Precise reflector design, Use of electroplating and nano-painting technology, High reflection efficiency, Provides highly efficient light.

### Reliable structure, Providing an esthetic lighting effect

Simple, straightforward installation to avoid damage to the ceiling, natural and visually consistent.

### Suitable for use in

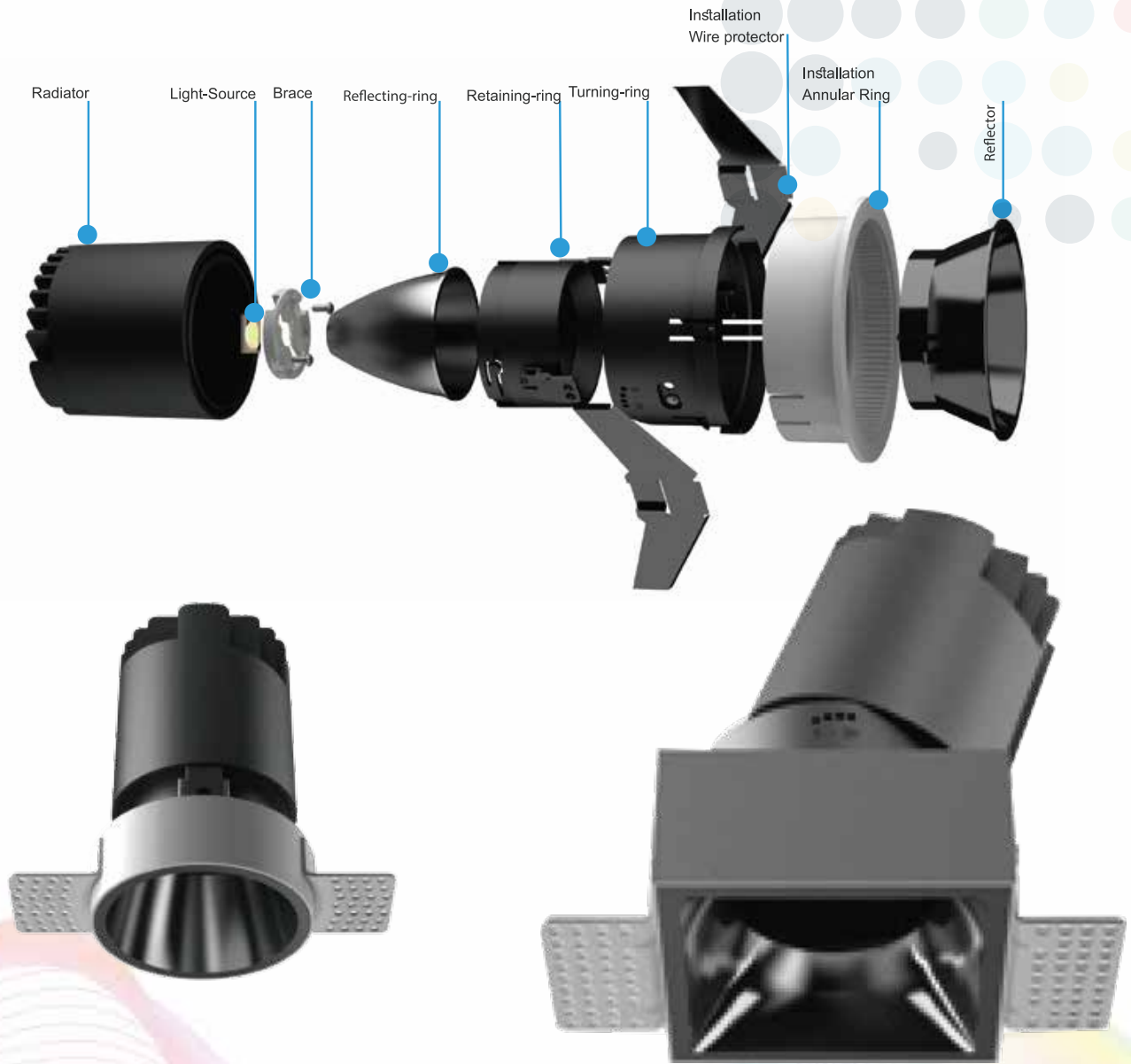
high-end hotels, villas, mansions; Provides with a comfortable and healthy lighting space.

Item No.	Power	Cut out	Size	Lumens	Beam angle	Light Source	IP	Input voltage
WFR0650R	6W	Φ50mm	Φ107x75mm	308 lm/338 lm/354 lm/376 lm	10°/15°/24°/38°	PHILIPS /CITIZEN	IP20	AC100-277V & AC200-240V
WTR0650R	6W	Φ50mm	Φ107x78mm	308 lm/338 lm/354 lm/376 lm	10°/15°/24°/38°			
WFR1275R	12W	Φ75mm	Φ134x104mm	722 lm/794 lm/830 lm/881 lm	10°/15°/24°/38°/50°			
WTR1275R	12W	Φ75mm	Φ134x109mm	722 lm/794 lm/830 lm/881 lm	10°/15°/24°/38°/50°			
WFR2095R	20W	Φ95mm	Φ162x119mm	1023 lm/1125 lm/1176 lm/1248 lm	12°/15°/24°/38°/55°			
WTR2095R	20W	Φ95mm	Φ162x126mm	1023 lm/1125 lm/1176 lm/1248 lm	12°/15°/24°/38°/55°			
WTS1282R	12W	82x80mm	131x78x120mm	722 lm/794 lm/830 lm/881 lm	10°/15°/24°/38°/50°			



# W Series

## Frameless LED Lamps



### Driver Brand



### Chip Brand



### CERTIFICATS



AC100-277V

50/60Hz

2500-6500(K)

RA>80

IP 20



50,000 Hours





## Features:

DHT series are the fixed recessed downlight, which strike a balance between high lumen and low glare (UGR<17).

### Fixed design, no rotatable, anti-glare downlight

Different color of anti-glare shield & housing for option, the lowest UGR can be 16---Patent design!

### Support almost all the famous Light source and Driver

Perfectly compatible with the same light fixture, same size with different light source and different driver.

### Completely free solder assembling

Replace any accessories perfectly without any damages, no need soldering tools.

### Perfect secondary optical design

Optional beam angle: 8 - 90 deg, can be used for wall washing effect.

### High CRI, High lumens, Low decay LED (L-80)

Basic characteristic: 150lm/w under CRI>90 & 3000K.

### Flicker free driver & 5 years warranty for whole lamp

Support Triac dim, 1-10V dim, DALI dim, DMX dim, 2.4 G dim, warm dim, etc.

Item No.	Power(W)	Size(mm)	Lumens	N.W.	Packing	Beam Angle	LED Info	Input voltage
DHT0775S	7W (36V-200mA)	90xH78 75-85Φ	500-800lm	0.4kg	45x45x37CM 48pcs	25° 38° 55°	1204 200mA	AC100-277V & AC200-240V
DHT1275S	12W (36V-350mA)	90xH78 75-85Φ	1100-1400lm	0.4kg	45x45x37CM 48pcs	25° 38° 55° 110°	1307 350mA	
DHT1295S	12W (36V-350mA)	110xH84 95-105Φ	1100-1400lm	0.5kg	53x40x41CM 36pcs	25° 38° 60° 110°	1307 350mA	
DHT2095S	20W (36V-500mA)	110xH84 95-105Φ	1500-2300lm	0.6kg	53x40x41CM 36pcs	20° 38° 60° 110°	1307 500mA	
DHT20125S	20W (36V-500mA)	138x H99 120-130Φ	1500-2300lm	0.8kg	51x51x35CM 18pcs	15° 38° 60° 110°	1307 500mA	
DHT30125S	30W (36V-800mA)	138x H99 120-130Φ	2700-3500lm	0.8kg	51x51x35CM 18pcs	20° 38° 60° 110°	1312 800mA	
DHT30145S	30W (36V-800mA)	160xH117 145-150Φ	2700-3500lm	1.2kg	79x41x34CM 16pcs	20° 38° 60° 110°	1312 800mA	
DHT40145S	40W (36V-1000mA)	160xH117 145-150Φ	3600-4300lm	1.3kg	79x41x34CM 16pcs	20° 38° 60° 110°	1312 1050mA	

# DHT Series

## 7-40W LED Downlight



### Driver Brand



### Chip Brand



### CERTIFICATS



AC100-277V

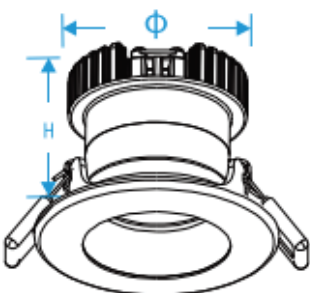
50/60Hz

2500-6500(K)

RA>80



### 2D Dimensional Diagram



	5-80mm	95-100mm	120-125mm	145-150mm
DHT07755	DHT1295S	DHT201255	DHT301455	
DHT1275S	DH120955	OHT30125S	DHT40145S	
Power:7-12W	Power:12-20W	Power:20-30W	Power:30-40W	
Size:90xH78	Size:110xH84	Size:138xH99	Size:160xH117	
75-80Φ	95-100Φ	120-125Φ	145-150Φ	



## Features:

**DGT series are the rotatable recessed downlight with super anti-glare. The lowest UGR can be 9, which is very popular with high-end hotels.**

### Rotatable angle of illumination

The maximum rotation angle is 30 degrees, Rotation lifespan is more than 200 times, UGR<10.

### Support almost all the famous Light source and Driver

Perfectly compatible with the same light fixture, same size with different light source and different driver.

### Completely free solder assembling

Replace any accessories perfectly without any damages, no need soldering tools.

### Narrow beam angle 15-20 deg, can be used for wall washing effect.

### High CRI, High lumens, Low decay LED (L-80)

Basic characteristic: 150lm/w under CRI>90 & 3000K

### Flicker free driver & 5 years warranty for whole lamp

Support Triac dim, 1-10y dim, DALI dim, DMX dim, 2.4 G dim, warm dim, etc.

Item No.	Power(W)	Size(mm)	Lumens	N.W.	Packing	Beam Angle	LED Info	Input voltage
DGT0775S	7W (36V-200mA)	90xH58 75-85Φ	300-400lm	0.4kg	45x45x37CM 48pcs	20°	1204 200mA	AC100-277V & AC200-240V
DGT1275S	12W (36V-350mA)	90xH58 75-85Φ	600-800lm	0.4kg	45x45x37CM 48pcs	20°	1307 350mA	
DGT1295S	12W (36V-350mA)	110xH79 95-105Φ	600-800lm	0.5kg	53x40x41CM 36pcs	15°	1307 350mA	
DGT2095S	20W (36V-500mA)	110xH79 95-105Φ	900-1400lm	0.6kg	53x40x41CM 36pcs	15°	1307 500mA	
DGT20125S	20W (36V-500mA)	138x H85 120-130Φ	900-1400lm	0.8kg	49x49x33CM 18pcs	15°	1307 500mA	
DGT30125S	30W (36V-800mA)	138x H85 120-130Φ	1600-2000lm	0.8kg	49x49x33CM 18pcs	15°	1312 800mA	
DGT30145S	30W (36V-800mA)	160xH102 145-150Φ	1600-2000lm	1.2kg	39x39x51CM 16pcs	20°	1312 800mA	
DGT40145S	40W (36V-1000mA)	160xH102 145-150Φ	2000-2400lm	1.3kg	39x39x51CM 16pcs	20°	1312 1050mA	

# DGT Series

## 7-40W LED Downlight



### Driver Brand



### Chip Brand



### CERTIFICATS



AC100-277V

50/60Hz

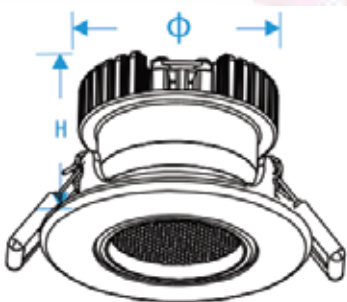
2500-6500(K)

RA>80

IP 20



### 2D Dimensional Diagram



5-80mm	95-100mm	120-125mm	145-150mm
DGT07755	DGT1295S	DGT201255	DGT301455
DGT1275S	DGT120955	DGT30125S	DGT40145S
Power:7-12W	Power:12-20W	Power:20-30W	Power:30-40W
Size:90xH58	Size:110xH79	Size:138xH85	Size:160xH102
75-80Φ	95-100Φ	120-130Φ	145-150Φ



**Application:** Widely used as indoor main illumination in Household, Hotel, Restaurant, Shopping Mall, Bar, KTV, Cabinet, Office Meeting Room, Library, Museum, Exhibition, etc.

## Features:

- Color of frame: white, black.
- A deep-reflective cup provides an anti-glare effect.
- A die-cast aluminum radiator is used for higher heat-dissipation efficiency.
- CCT—correlated color temperature supports 2700K/3000K/4000K/5000K.
- UGR < 13, and Ra ≥ 90, maximum lifespan of 50000h.
- All products are guaranteed for 5 years.

### Support almost all the famous Light source and Driver

Perfectly compatible with the same light fixture, same size with different light source and different driver.

### High reflection efficiency

Precise reflector design, Use of electroplating and nano-painting technology, High reflection efficiency, Provides highly efficient light.

### High CRI, High lumens, Low decay LED (L-80)

Basic characteristic: 150lm/w under CRI > 90 & 3000K.

2D Dimensional Diagram	Φ74xH147mm	Φ214xH152mm	Φ115.F1135mm	Φ140*H160mm	Φ171*H198mm	Φ1861-1214mm
	SFC1074S	SFC1592S	SFC20115S	SFC25140S	SFC35171S	SFC35186S
		SFC2092S	SFC25115S	SFC35140S	SFC45171S	SFC45186S
					SFC55171S	SFC55186S
						SFC65186S

# S Series

## Matt surface Mounted Cob LED Downlight



Item No.	Power(W)	Size(mm)	Lumens	Light Source	Driver	IP	Beam Angle	Qty & G.W. /Ctn	Packing Size cm	Input Voltage
SFC1074S	10W	Φ74xH147	850lm	CITIZEN	Tridonic	IP20	15°24° 36°60°	30pcs 10kg	40x17x48	AC100-277V & AC200-240V
SFC1592S	15W	Φ92xH152	1275lm	CITIZEN	Tridonic	IP20	15°24° 36°60°	24pcs 15kg	42x22x50	
SFC2092S	20W		1700lm	CITIZEN	Tridonic	IP20	15°24° 36°60°	24pcs 15kg	42x22x50	
SFC20115S	20W	Φ115xH135	1700lm	CITIZEN	Philips	IP20	15°24° 36°60°	18pcs 14.5kg	37x25x44	
SFC25115S	25W		2125lm	CITIZEN	Philips	IP20	15°24° 36°60°	18pcs 14.5kg	37x25x44	
SFC25140S	25W	Φ140xH160	2125lm	CITIZEN	Philips	IP20	15°24° 36°60°	12pcs 16kg	44x30x25	
SFC35140S	35W		2975lm	CITIZEN	Philips	IP20	15°24° 36°60°	12pcs 16kg	44x30x25	
SFC35171S	35W	Φ171xH198	2975lm	CITIZEN	Philips	IP20	15°24° 36°60°	8pcs 16.5kg	74x36x22	
SFC45171S	45W		3825lm	CITIZEN	Philips	IP20	15°24° 36°60°	8pcs 16.5kg	74x36x22	
SFC55171S	55W		4675lm	CITIZEN	Philips	IP20	15°24° 36°60°	8pcs 16.5kg	74x36x22	
SFC35186S	35W	Φ186xH214	2975lm	CITIZEN	Philips	IP20	15°24° 36°60°	30pcs 10kg	58x39x24	
SFC45186S	45W		3825lm	CITIZEN	Philips	IP20	15°24° 36°60°	30pcs 10kg	58x39x24	
SFC55186S	55W		4675lm	CITIZEN	Philips	IP20	15°24° 36°60°	30pcs 10kg	58x39x24	
SFC65186S	65W		5525lm	CITIZEN	Philips	IP20	15°24° 36°60°	30pcs 10kg	58x39x24	

# LED Track Light Series









## Features:

- Highly energy efficient - up to 83 lm/w
- Rated nominal Lifertime 50,000 hours
- Quick and Easy Installarion
- IP20 Protecring gread
- Operaring temp-20~ +50°C
- No UV & IR Completely Murcury free
- Warranty: 5 years
- Cerrificates CE (EMCRoHS)

## Technical Specification

SL.No.	Model No.	Power (Watt)	Lumen(LM)	CRI.	Color Temp (CCT).	Beam Angle	N.W(KG)	Materials	Power Factor (PF)	Dimention mm	LED Type
01	RE-ARTL-20W	20W	1660	>90Ra	2700K to 4000K.	13°/52°	0.2	Al+PC	>0.9	710x71x73	2835
02	RE-ARTL-25W	25W	2075	>90Ra	2700K to 4000K.	13°/52°	0.2	Al+PC	>0.9	710x71x73	2835
03	RE-ARTL-30W	30W	2490	>90Ra	2700K to 4000K.	13°/52°	0.3	Al+PC	>0.9	1320x71x73	2835

# LED Track Light

## AR-ARTL-20W



### Driver Brand



### Chip Brand



### CERTIFICATS



AC100-277V

50/60Hz

2500-6500(K)

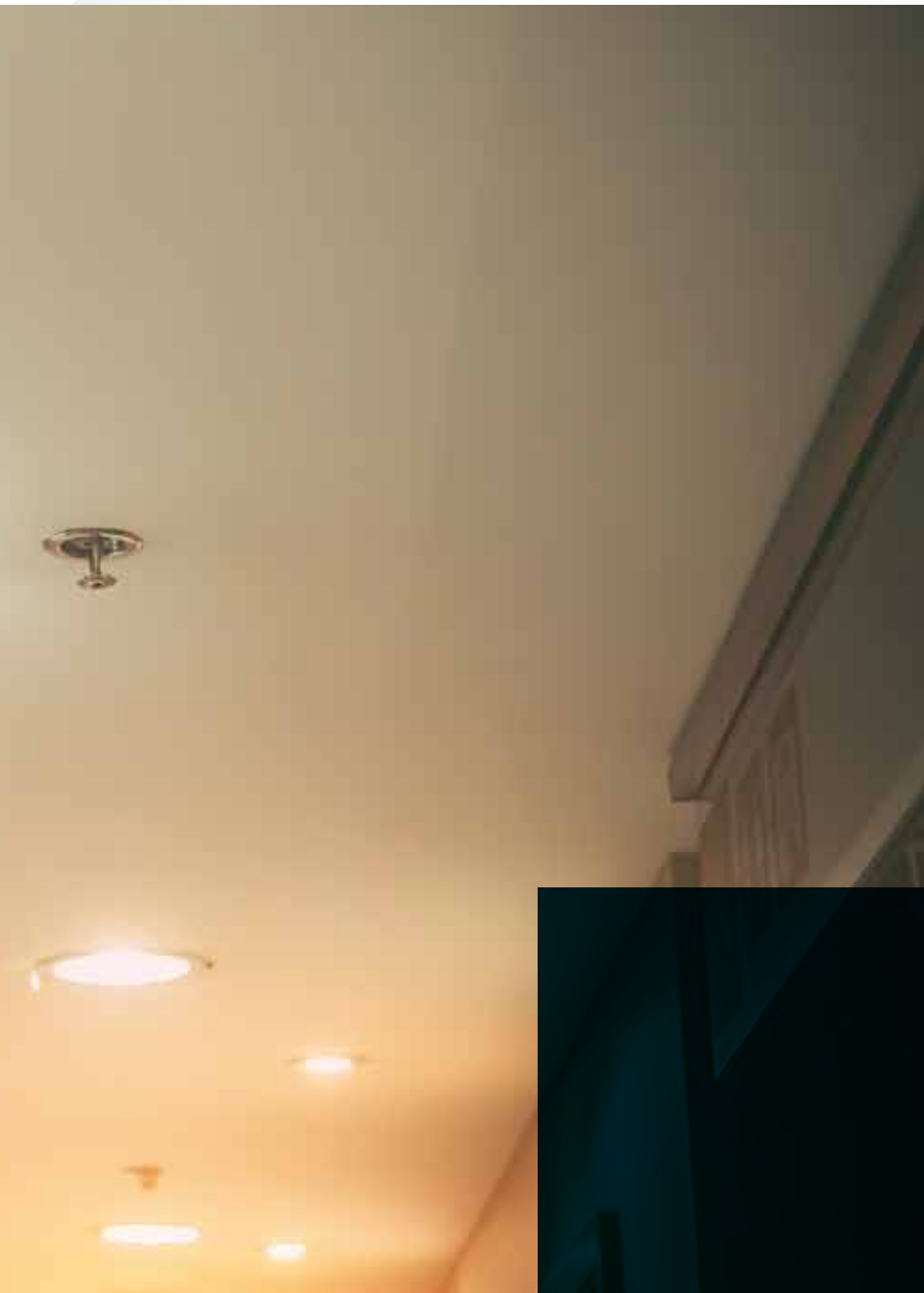
RA>80

IP65

50,000 Hours

# Emergency Exit Sign & Kit







## Features:

- Built-in 3.7V/1200mAh Lithium battery
- ABS, UL-94V-0 flame rating, fire-resistant
- Plastic Canopy, Metal J-box Bracket
- Operating temp-20~ +80°C
- Ceiling mounting; Side wall mounting
- Warranty: 5 years
- IEC 60598-2-22, SS 563

## Technical Specification

Sl.No.	Model No.	Power(Watt)	Duration	Charging Time	Colour	N.W(KG)	Materials	Dimension	LED Type
01	CR-7012	1.2 W	3 hours	24 hours	Red/Green	0.60	Metal+PC	295 x 183 x 40	SMD
02	CR-7012D	1.2W	3 hours	24 hours	Red/Green.	0.60	Metal+PC	295 x 183 x 40	SMD
03	CR-7009D	2 x 1.2W	3 hours	24 hours	Red/Green.	0.40	Metal+PC	254 x 108 x 70	SMD

# LED Emergency Light

## AR-ARTL-20W



### Driver Brand



### Chip Brand



### CERTIFICATS



AC100-277V

50/60Hz

2500-6500(K)

RA>80

IP65

50,000 Hours



# Emergency Power Supply Kit

## 2D Dimensional Diagram

## Connection

### Features:

- Only for LED load
- Suitable for a wide range LED load power 0 - 30W
- To power a LED luminaire at a reduced lumen flux
- Automatically activated in the event of power cuts
- Low power consumption
- Over-charge protection and over-discharge protection

### Features:

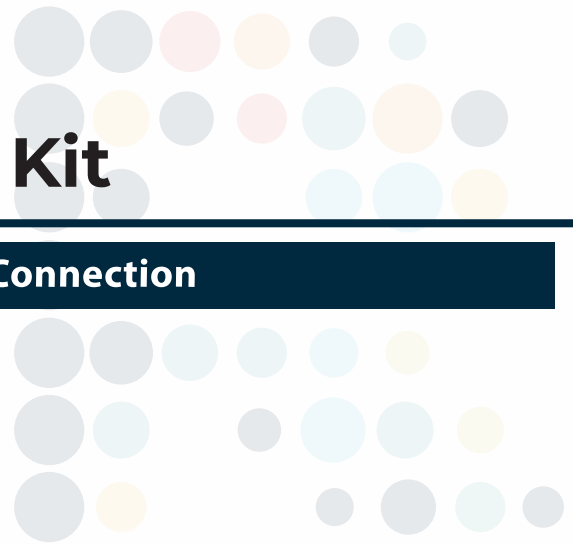
- Only for LED load
- Suitable for a wide range LED load power 0 - 60W
- To power a LED luminaire at a reduced lumen flux
- Automatically activated in the event of power cuts
- Low power consumption
- Over-charge protection and over-discharge protection

### Features:

- Only for LED load
- Suitable for a wide range LED load power 0 - 60W
- To power a LED luminaire at a reduced lumen flux
- Automatically activated in the event of power cuts
- Low power consumption
- Over-charge protection and over-discharge protection

### Features:

- Only for LED load
- Suitable for LED load power range options:
  - 0 - 100W; 100 - 150W; 150 - 200W
- To power a LED luminaire at a reduced lumen flux
- Automatically activated in the event of power cuts
- Low power consumption
- Over-charge protection and over-discharge protection



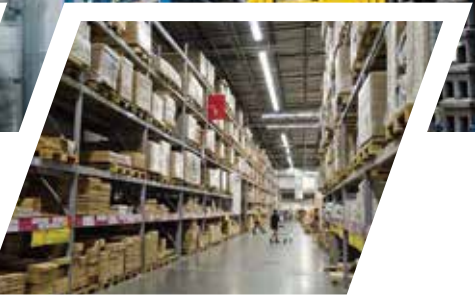




# LED INDUSTRIAL LIGHTING

Alrouf LED offers a diverse selection of industrial LED lighting that helps brighten your entire industrial landscape. LED lighting renders colors more accurately with less heat, gains efficiency at lower temperatures and saves up to 70% on energy costs. LED light fixtures are the perfect solution for a broad range of industrial and high bay, street lighting projects, including food processing, refrigerated spaces, warehouses, gymnasiums, natatoriums, cafeterias, highceiling retail, auditoriums and convention centers.

# INDUSTRIAL LIGHTING



## Our Specified Field of Lighting

To gratifi and delight for clients by designing and providing perfect lighting solutions, embracing the creative abilities of our talented engineer, with our unique range of lighting products.

alrouf LED is one such creative endeavour of ours that is designed to make your lives brighter Only the time, we added a little twist to the tale

# COMMERCIAL LIGHTING





**2** Aircraft Warning Light

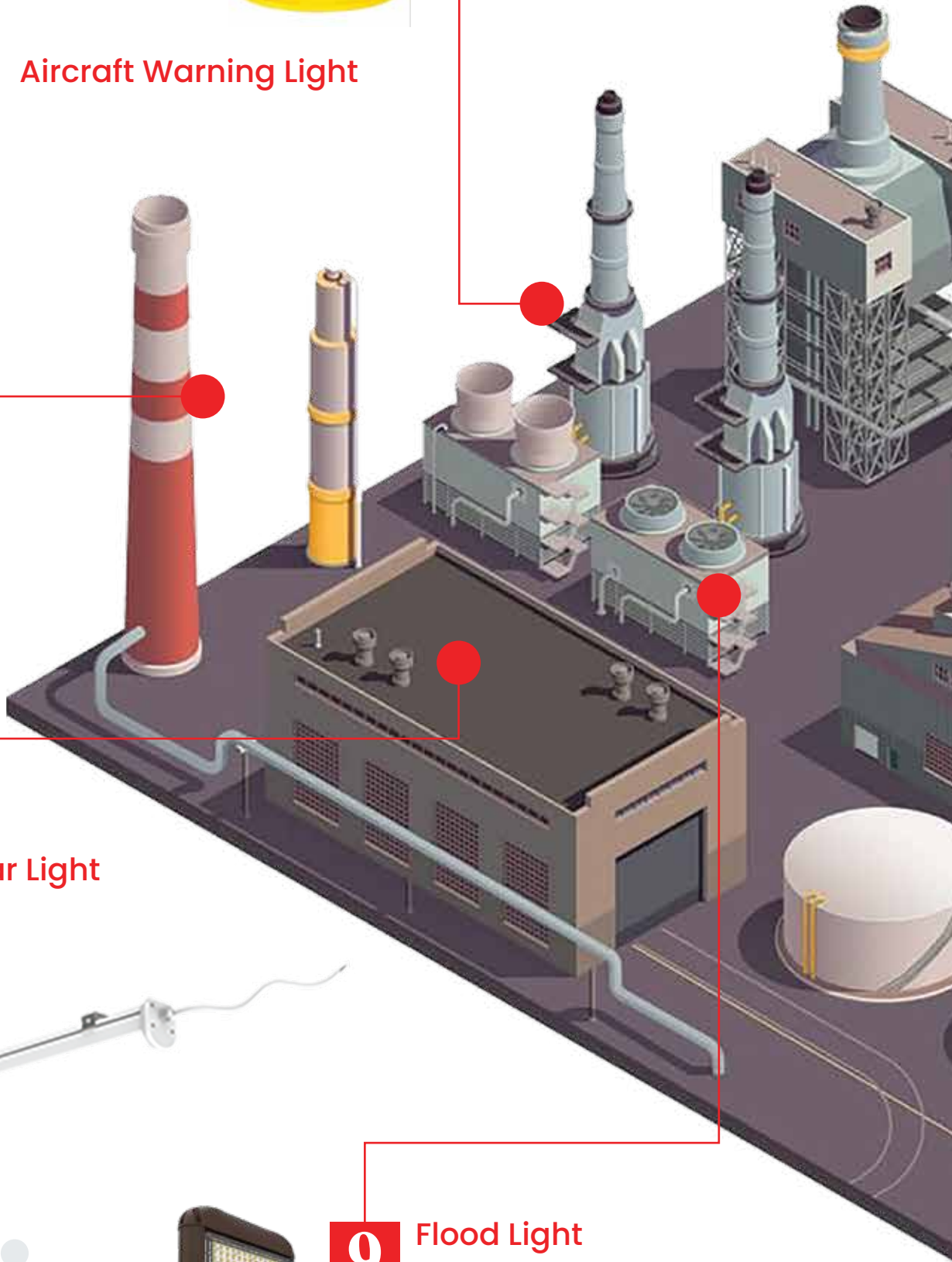
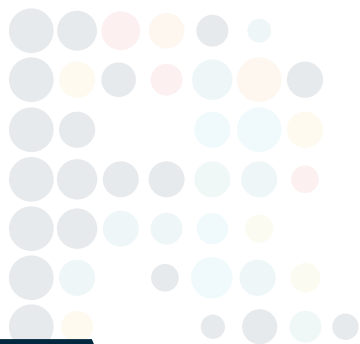


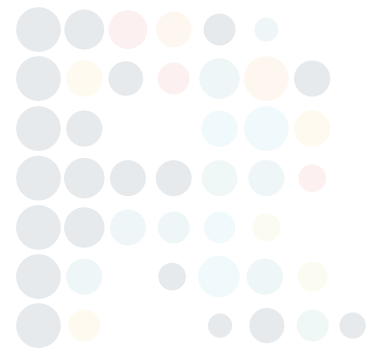
**6** Aircraft Warning Light

**4** LED Linear Light



**9** Flood Light





**5** Explosion Proof Linear Light



**3** Explosion Proof High Bay Light

**7** Linear Light



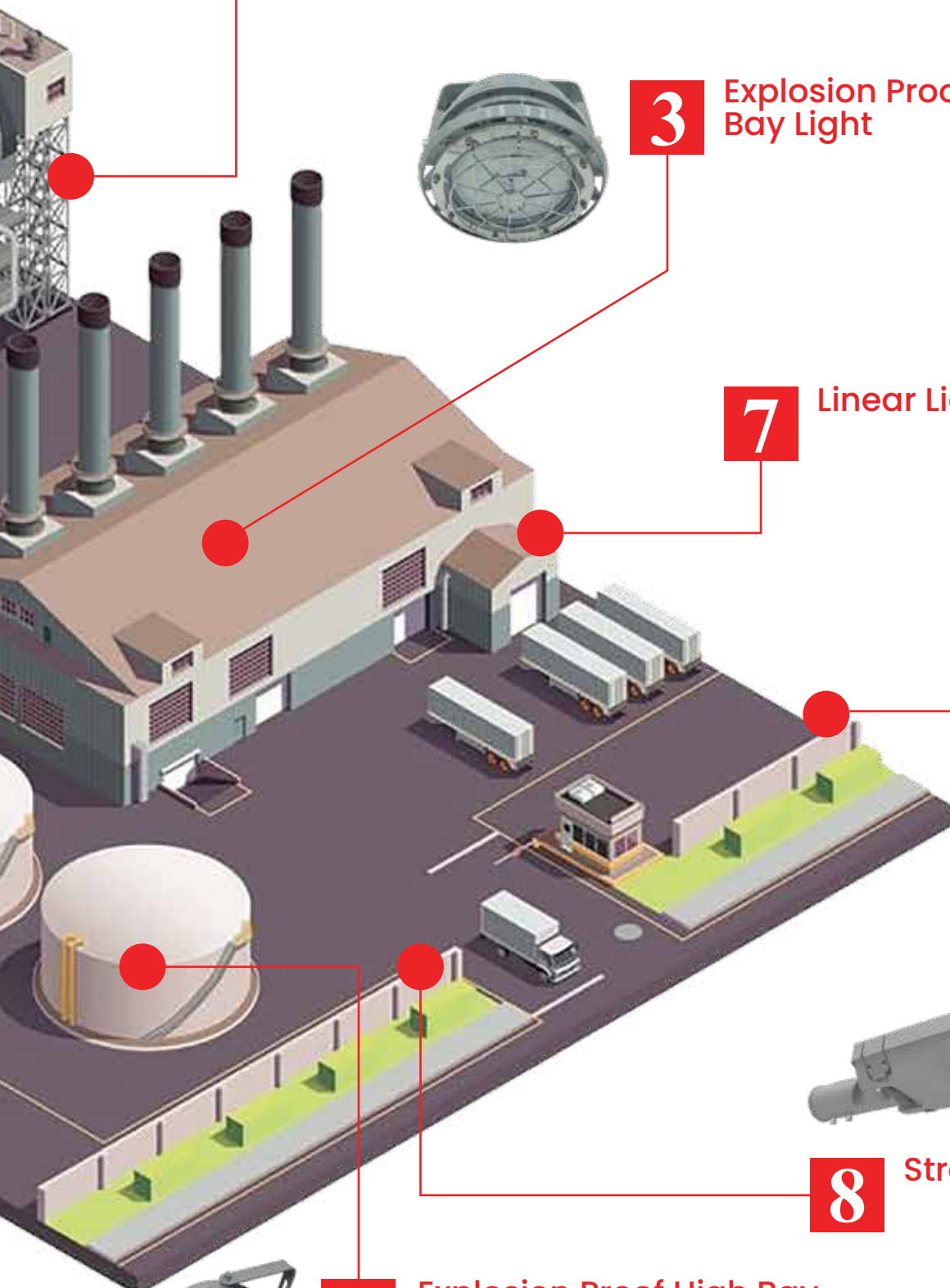
**10** Flood Light



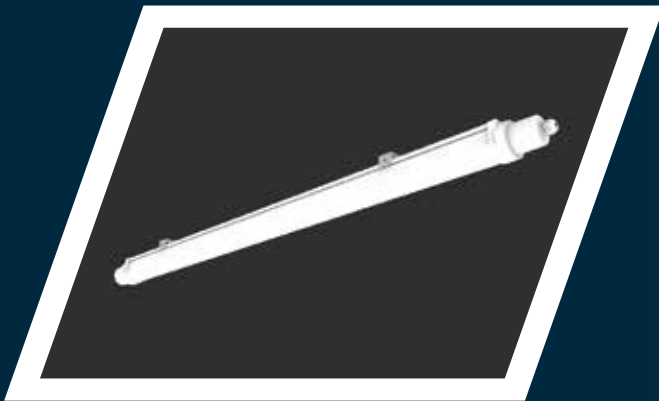
**8** Street Light



**1** Explosion Proof High Bay Light

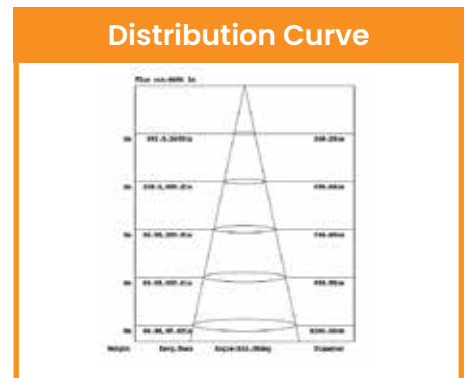
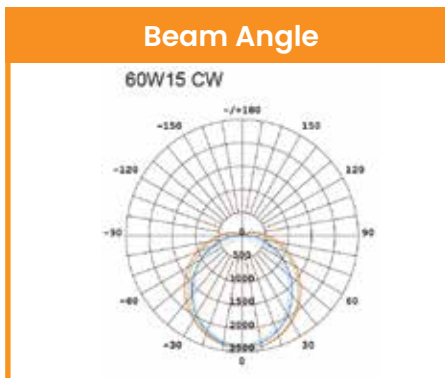
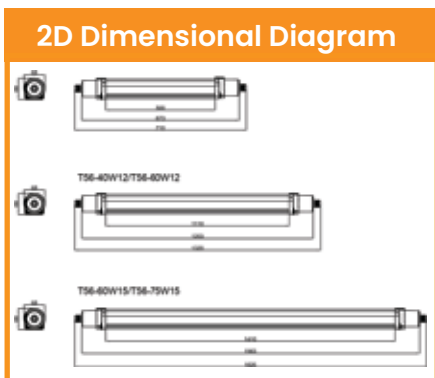
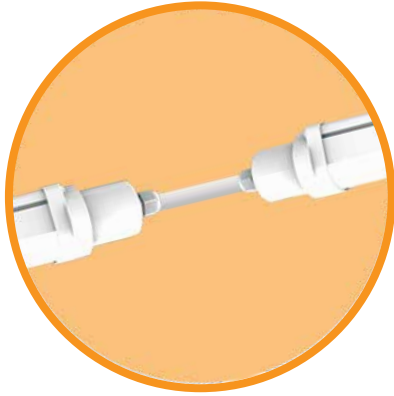


# Industrial Linear Light Series





# LED Linear Light (Linkble)



#### Driver Brand

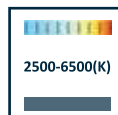
- 
- 
- 
- Others

#### Chip Brand

- 
- 
- 
- Others

#### Certificats

- 
- 
- 
- 
- 





# LED Linear Light (Linkble)

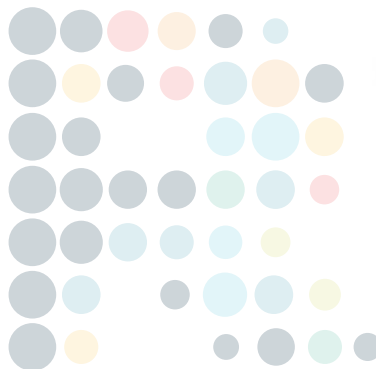


Sl.No.	Model No.	Power (Watt)	Lumen(LM)	CRI.	Color Temp (CCT).	Beam Angle	N.W(KG)	Materials	Power Factor (PF)	Dimention mm	LED Type
01	FL-ARLNL06-20	20W	2700±100	>80Ra	3000K to 6000K	120°	0.9	Al+PC	>0.9	710x71x73	2835
02	FL-ARLNL06-30	30W	3900±150	>80Ra	3000K to 6000K	120°	0.9	Al+PC	>0.9	710x71x73	2835
03	FL-ARLNL12-40	40W	5400±200	>80Ra	3000K to 6000K	120°	02	Al+PC	>0.9	710x71x73	2835
04	FL-ARLNL12-60	60W	7800±300	>80Ra	3000K to 6000K	120°	02	Al+PC	>0.9	710x71x73	2835
05	FL-ARLNL15-60	60W	8100±300	>80Ra	3000K to 6000K	120°	2.4	Al+PC	>0.9	710x71x73	2835
06	FL-ARLNL15-60	75W	9700±375	>80Ra	3000K to 6000K	120°	2.4	Al+PC	>0.9	710x71x73	2835

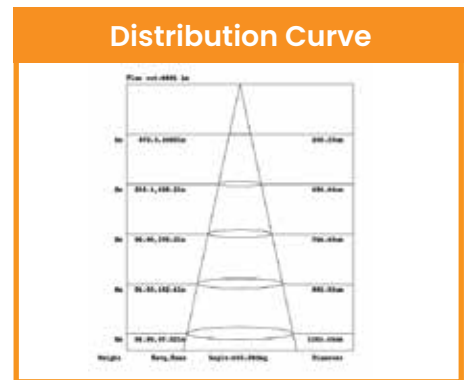
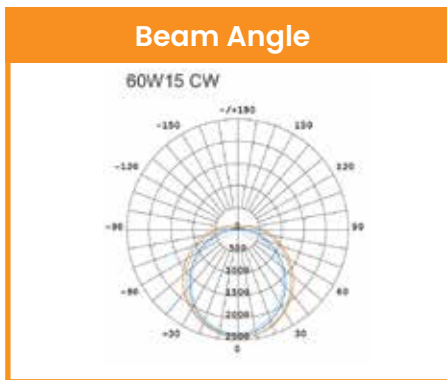
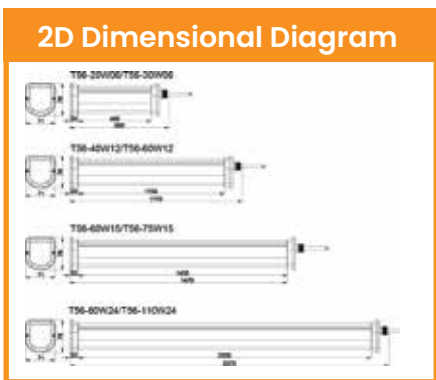
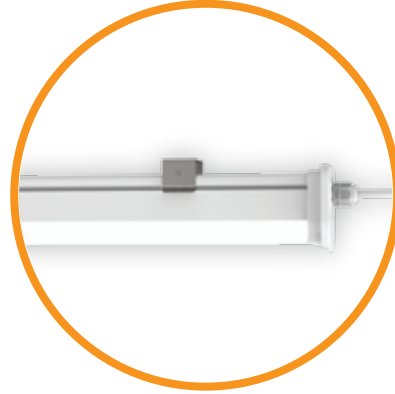
## Features:

- Highly energy efficient - up to 130 lm/w
- High Luminous flux - up to 14.300lm
- Rated nominal Lifetime 50.000 hours
- Quick and Easy Installation
- IP65k and IK10 rated Protecting gread
- Operating temp -20~ +60°C
- No UV & IR Completely Mercury free
- Warranty. 5years
- Certificates ENEC, TUV, CE, RoHS, CB, UL, cUL,DLC Premium, SAA, RCM

[www.alroufled.com](http://www.alroufled.com)



# LED Linear Light (Single)



#### Driver Brand

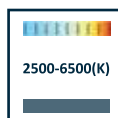
**MW** MEAN WELL  
 **LED**  
 **SOSEN**  
 Others

#### Chip Brand

bridgelux  
 CREE  
 PHILIPS LUMILEDS  
 Others

#### Certificats

CE  
 RoHS  
 TÜV  
 CB  
 SASO



# LED Linear Light (Single)



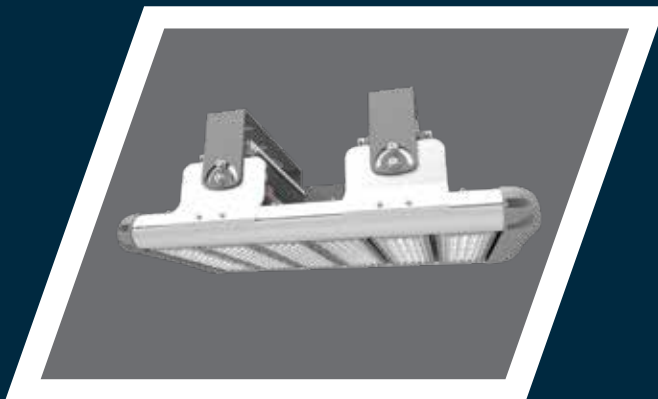
Sl.No.	Model No.	Power (Watt)	Lumen(LM)	CRI.	Color Temp (CCT).	Beam Angle	N.W(KG)	Materials	Power Factor (PF)	Dimention mm	LED Type
01	FL-ARLNL06-20	20W	2700±100	>80Ra	3000K to 6000K	120°	0.9	Al+PC	>0.9	710x71x73	2835
02	FL-ARLNL06-30	30W	3900±150	>80Ra	3000K to 6000K	120°	0.9	Al+PC	>0.9	710x71x73	2835
03	FL-ARLNL12-40	40W	5400±200	>80Ra	3000K to 6000K	120°	02	Al+PC	>0.9	1320x71x73	2835
04	FL-ARLNL12-60	60W	7800±300	>80Ra	3000K to 6000K	120°	02	Al+PC	>0.9	1320x71x73	2835
05	FL-ARLNL15-60	60W	8100±300	>80Ra	3000K to 6000K	120°	2.4	Al+PC	>0.9	1620x71x73	2835
06	FL-ARLNL15-75	75W	9700±375	>80Ra	3000K to 6000K	120°	2.4	Al+PC	>0.9	1620x71x73	2835
07	FL-ARLSN24-80	60W	10800±400	>80Ra	3000K to 6000K	120°	3.8	Al+PC	>0.9	2370x72x78	2835
08	FL-ARLSN110-24	75W	14300±500	>80Ra	3000K to 6000K	120°	3.8	Al+PC	>0.9	2370x72x78	2835

## Features:

- Highly energy efficient - up to 130 lm/w
- High Luminous flux - up to 14.300lm
- Rated nominal Lifetime 50.000 hours
- Quick and Easy Installation
- IP65k and IK10 rated Protecting gread
- Operating temp-20~ +60°C
- No UV & IR Completely Murcury free
- Warranty: 5years
- Certificates ENEC, TUV, CE, RoHS, CB, UL, cUL,DLC Premium, SAA, RCM

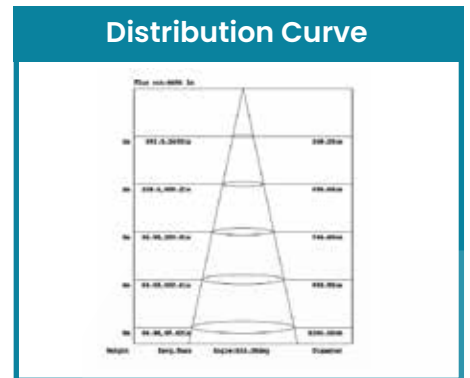
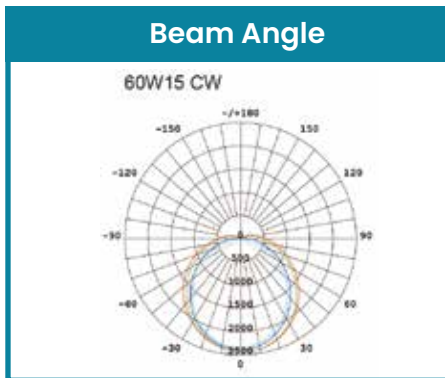
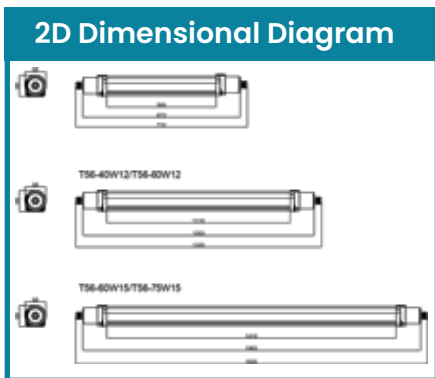


# LED High Bay Light Series





# LED High Bay Light (EL-ARUHB-100)



### Driver Brand

**MW** MEAN WELL  
 **LED**  
 **SOSEN**  
 Others

### Chip Brand

bridgelux  
 **CREE**  
 PHILIPS LUMILEDS  
 Others

### Certificats

CE  RoHS  TÜV  CB  SASO

AC100-277V

50/60Hz

2500-6500(K)

RA>80

DALI

50,000 [h]

# LED High Bay Light (EL-ARUHB-100)

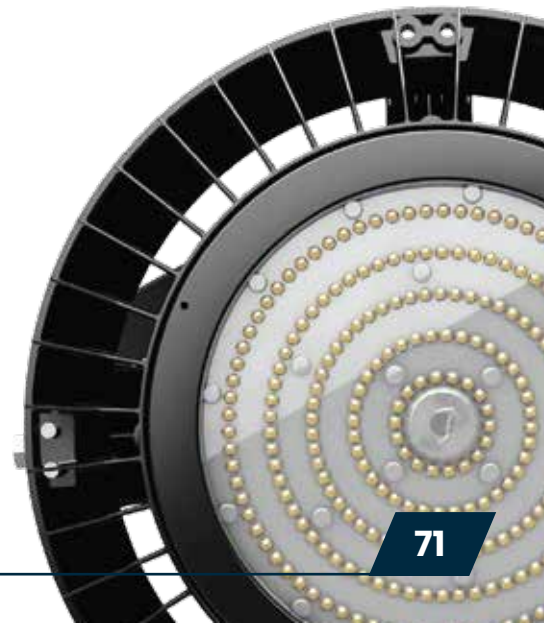


Sl.No.	Model No.	Power(Watt)	Efficacy	Total Lumen
01	FR-ARHB 150-80	80 W	150lm/W	13000lm
02	FR-ARHB 150-100	100 W	150lm/W	15000lm
03	FR-ARHB 150-150	150 W	150lm/W	22000lm
04	FR-ARHB 150-180	180 W	150lm/W	27000lm
05	FR-ARHB 150-200	200 W	150lm/W	30000lm
06	FR-ARHB 150-230	230 W	150lm/W	34000lm

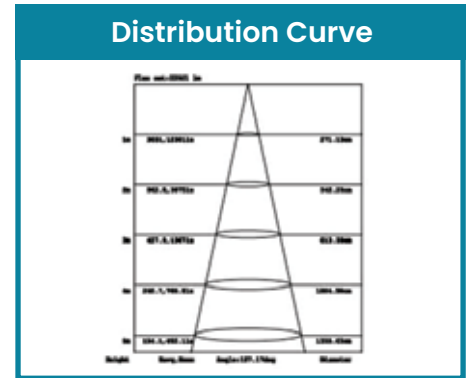
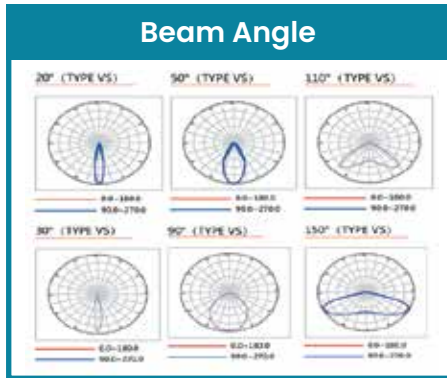
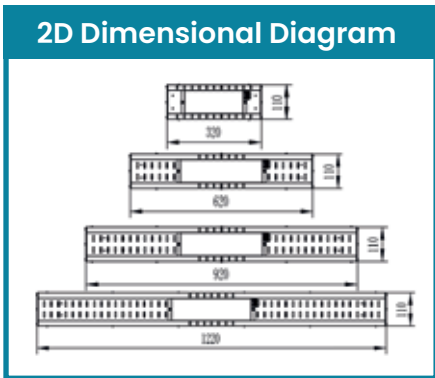
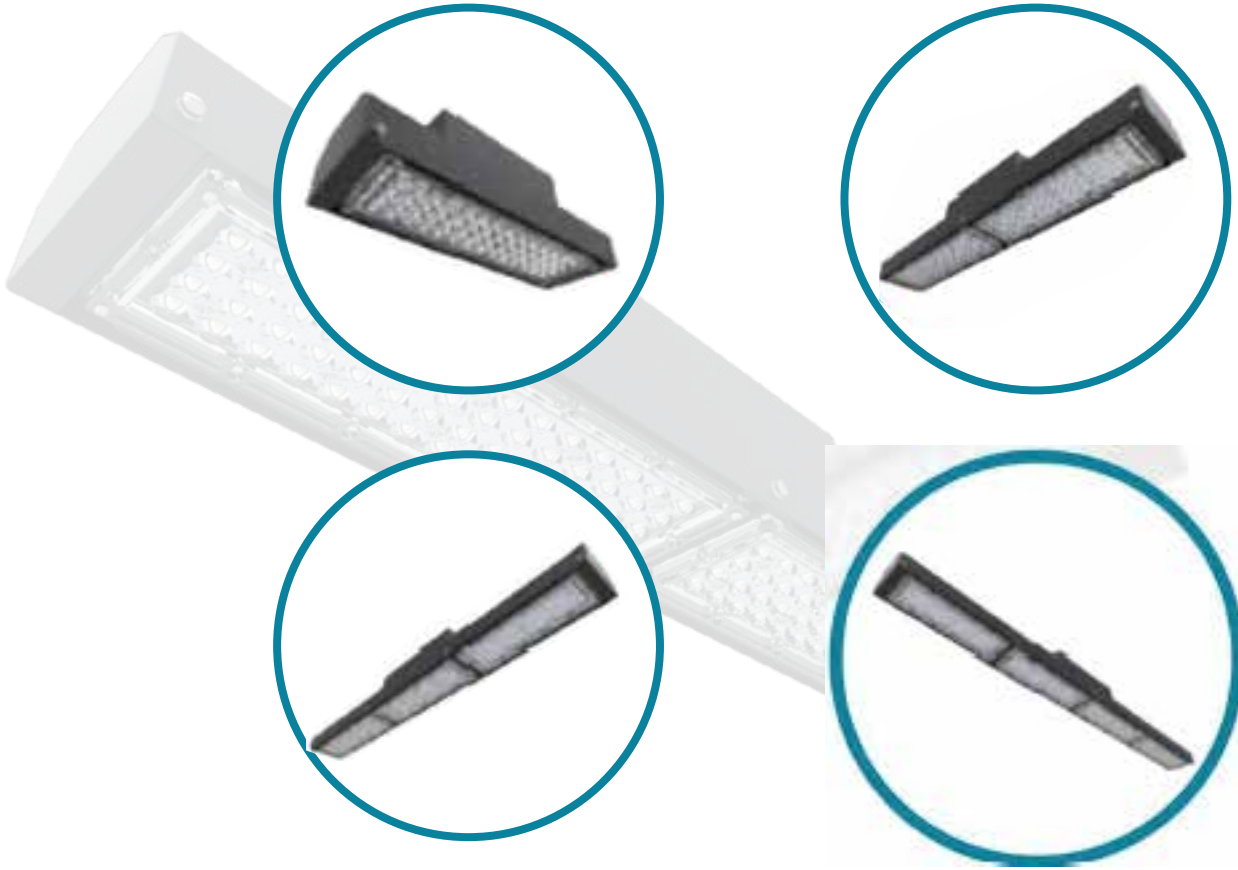
## Features:

- High performance design with Philips Lumileds 3030 SMD
- Rated and ominal lifetime 60,000 hrs
- Quick and easy installation
- Opertaing temp  $-40^{\circ}\text{A}^{\circ}$  to  $+50^{\circ}\text{A}^{\circ}\text{C}$
- No UV & IR completely Mercury free
- Warranty: 5 years
- Certificates CE (EMC, LVD, RoHS)
- CCT 400K(Nature White), 5000K(Pure White), 5700K(Cool White), 6500K (Cool white)
- Aluminium Alloy & Polycarbonate Optical lens + Toughened Glass
- Energy savings upto 95%
- Beam Angle:  $60^{\circ}\text{A}^{\circ}$ ,  $90^{\circ}\text{A}^{\circ}$ ,  $120^{\circ}\text{A}^{\circ}$  optional
- CRI > 70

[www.alroufled.com](http://www.alroufled.com)



# LED High Bay Light



#### Driver Brand

**MW** MEAN WELL  
 **LED**  
 **SOSEN**  
 Others

#### Chip Brand

bridgelux  
 **CREE**  
 **PHILIPS** LUMILUX  
 Others

#### Certificats

**CE**  **RoHS**  **TUV**  **CB**  **SASO**

AC100-277V

50/60Hz

2500-6500(K)

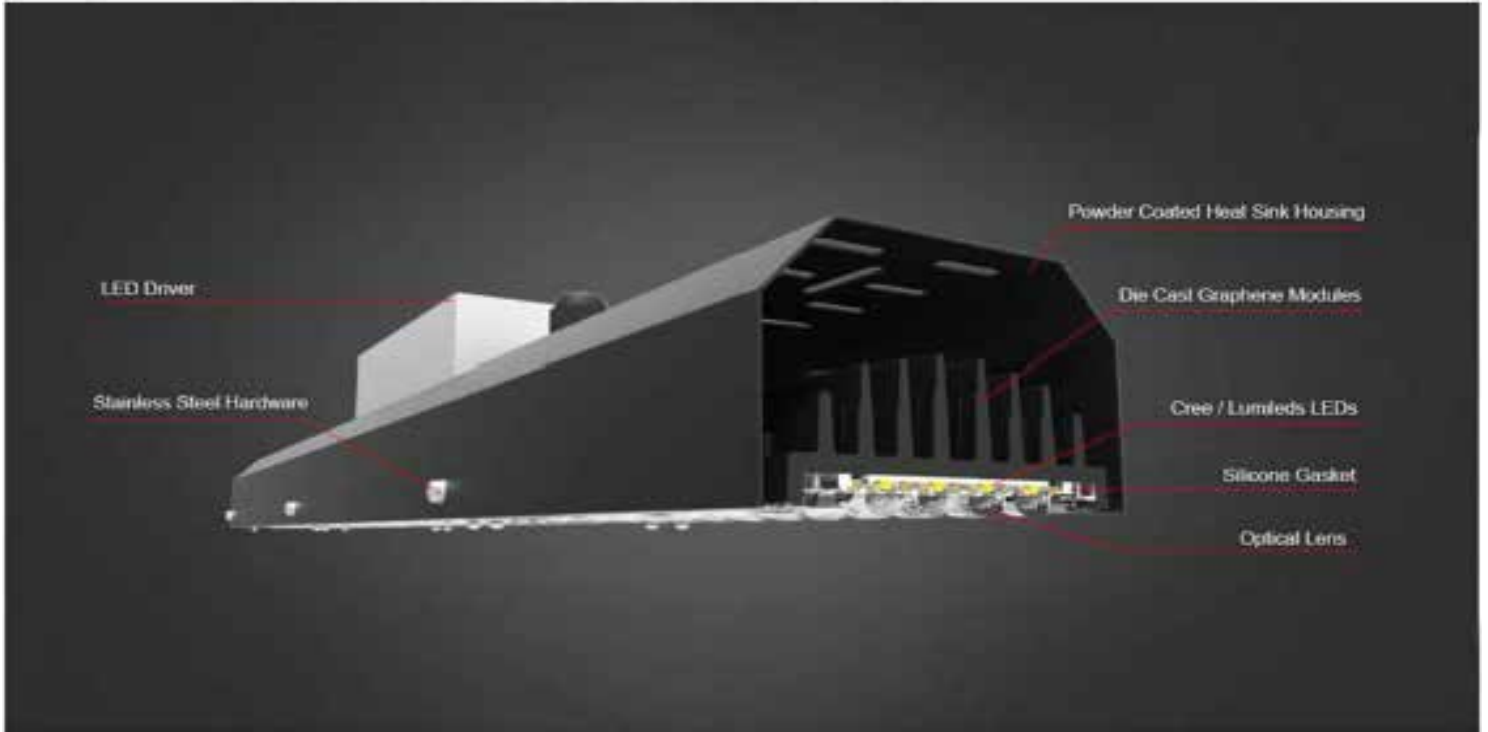
RA>80

DALI

50,000 [h]



# LED High Bay Light



Sl.No.	Model No.	Power(Watt)	Efficacy	Total Lumen	Net Weight	Dimension
01	EL-ARLNGP-50	50 W	135lm/W	6,750lm	2.0kg/4.4lbs	329x103x96 mm 13.0x4.1x3.8 in
02	EL-ARLNGP-100	100 W	145lm/W	14,500lm	3.2kg/7.1lbs	329x103x96 mm 13.0x4.1x3.8 in
03	EL-ARLNGP-150	150 W	145lm/W	21,750lm	4.7kg/10.4lbs	329x103x96 mm 13.0x4.1x3.8 in
04	EL-ARLNGP-200	180 W	145lm/W	29,000lm	6.1kg/13.4lbs	329x103x96 mm 13.0x4.1x3.8 in

## Features:

- Lumen Maintenance-LM70>100,000 Hours (Calculated using TM-21 Calculator)
- Input Voltage-100-277 VAC (347/480 VAC Optional) Dimming Optional
- Flexible,Modular Design
- 11 Types of Optical Lenses at Choice
- Easy Installation & Maintenance
- Operating Temperature -30Â° to 45Â°C (-22Â° to 113Â°F)
- Storing Temperature -30Â° to 45Â°C (-22Â° to 113Â°F)
- Humidity 15% to 95% RH
- cETLus DLC Premium CE RoHS Compliant
- 5 years warranty
- Power Factors 0.95 (Minimum)
- LED chip make Phillips Lumileds / CREE
- CRI > 70

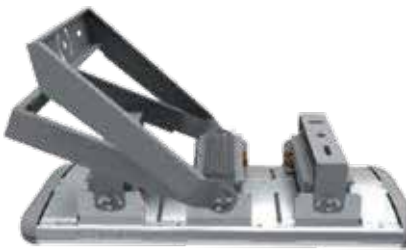
www.alroufled.com



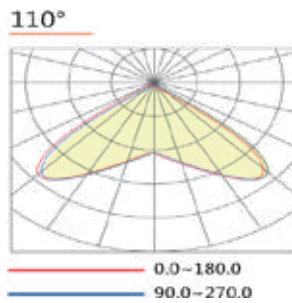
# LED High Bay Light



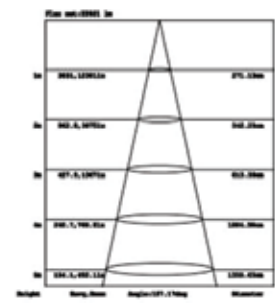
2D Dimensional Diagram



Beam Angle



Distribution Curve



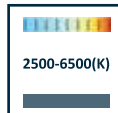
Driver Brand



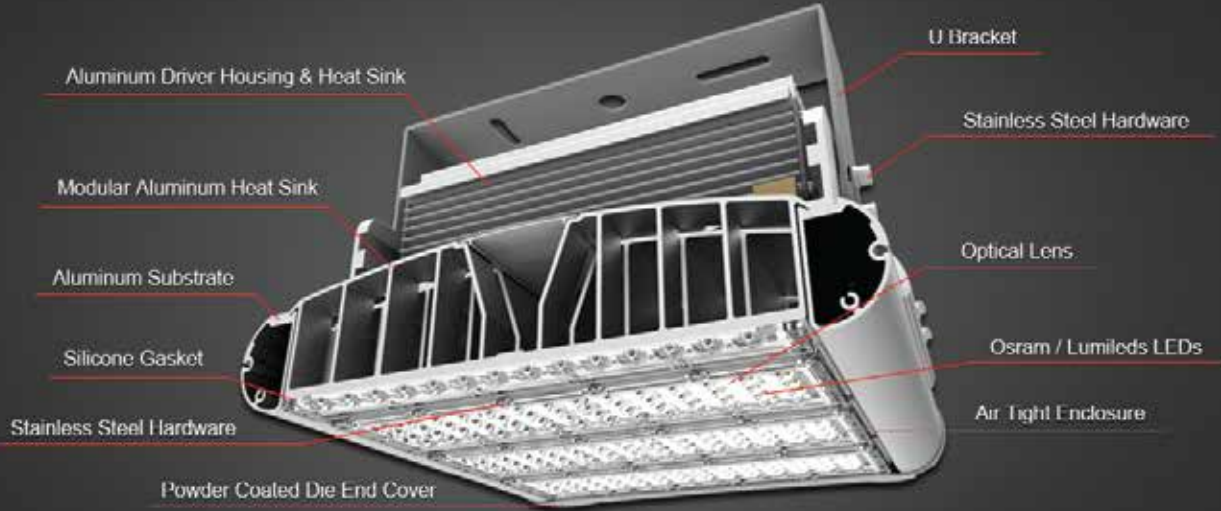
Chip Brand



Certificats



# LED High Bay Light



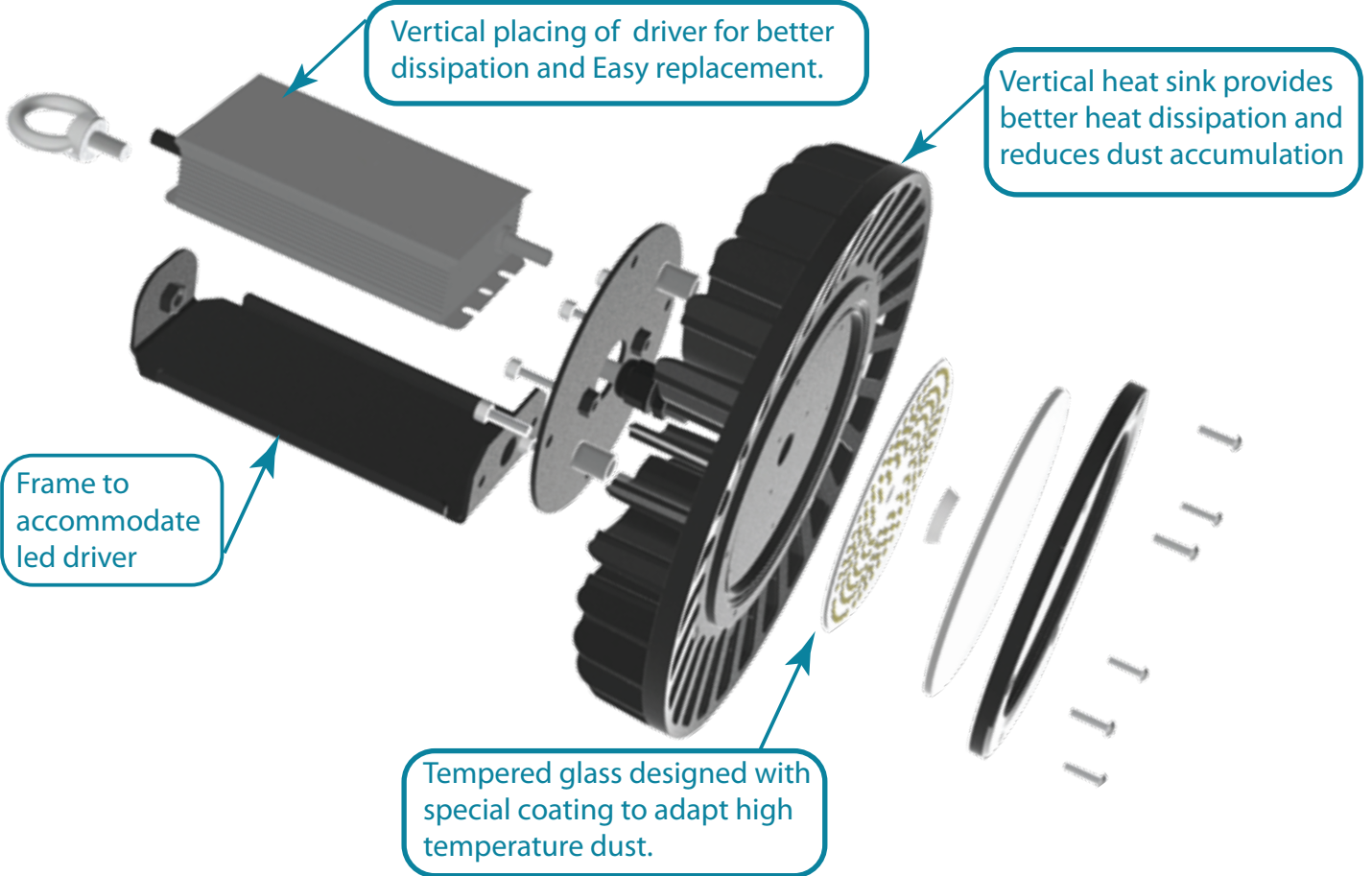
Sl.No.	Model No.	Power(Watt)	Efficacy	Total Lumen	Net Weight	Dimension
01	EL-ARED-50HT80	50 W	130lm/W	6,500lm	5.2kg/11.5lbs	273x366x245 mm 10.7x14.4x9.6 in
02	EL-ARED-100HT80	100 W	130lm/W	13,000lm	7.8kg/17.2lbs	308x366x245 mm 12.1x14.4x9.6 in
03	EL-ARED-150HT80	150 W	130lm/W	19,500lm	9.3kg/20.5lbs	402x366x245 mm 15.8x14.4x9.6 in
04	EL-ARED-200HT80	200 W	130lm/W	26,000lm	10.7kg/23.6lbs	496x366x245 mm 19.5x14.4x9.6 in
05	EL-ARED-300HT80	300 W	130lm/W	39,000lm	16.5kg/36.4lbs	684x366x245 mm 26.9x14.4x9.6 in
06	EL-ARED-400HT80	400 W	130lm/W	58,500lm	28.0kg/61.7lbs	966x366x245 mm 38.0x14.4x9.6 in

## Features:

- SFlexible, Modular Design
- Multiple Choice of Optical Lenses
- Easy Installation & Maintenance
- Operating Temperature -30Â° to 80Â°C (-22Â° to 176Â°F)
- Storing Temperature -40Â° to 80Â°C (-40Â° to 176Â°F)
- Humidity 15% to 95% RH
- cETLus, DLC Premium, CE, RoHS,WEEE, SAA
- Voltage Range-100-277 VAC,200-480 VAC(Optional), Dimming Optional
- Color Temperature 4500-5500K (2500-5500 Optional)
- Lumen MaintenanceLM70>10,000 Hours(Calculated Using TM-21 Calculator)
- Fixture Material Aluminium Alloy
- LED Cliip Osram / Philips tumileds
- IP66
- 05 (Five) Years Warranty

[www.alroufled.com](http://www.alroufled.com)

# Dust Proof and High Temperature High Bay



**Driver Brand**

Others

**Chip Brand**

Others

**Certificats**

AC100-277V

50/60Hz

2500-6500(K)

RA>80

DALI

[h]  
50,000

# Dust Proof and High Temperature High Bay



Sl.No.	Model No.	Power(Watt)	Efficacy	Total Lumen
01	AR-AGCHB 45 -100	100 W	140lm/W	14000lm
02	AR-ARHB 203 -100	200 W	140lm/W	28000lm
03	AR-ARHB 203 -150	300 W	140lm/W	30000lm

## Descreption:

Cold forging heat sink with excellent thermal conductivity and larger heat dissipation area for optimum heat dissipation. Up to 70°C ambient temperature, HB45 is specially designed for ultra high-temperature environments. Back cover with vertical heat sink provides better heat dissipation and reduces dust accumulation. Modular design to meet different power requirements. It is a brilliant design for different applications from high temperature conditions to ordinary industrial workshops.

## Features:

- Operation temperature up to 70 °C
  - Luminous efficiency up to 140lm/W
  - IP66, IK08
  - Type V distribution
  - 100-277VAC/277-480VAC available
  - Reflector is available as accessory
  - Easy Installation & Maintenance
  - Flexible, Modular Design
- [www.alroufled.com](http://www.alroufled.com)

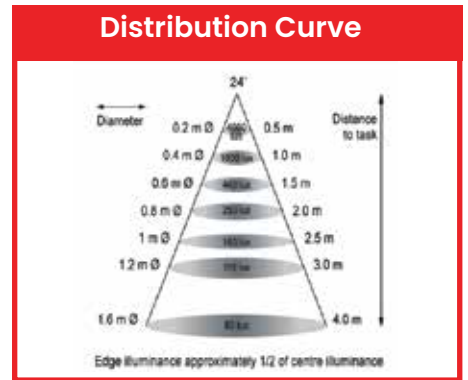
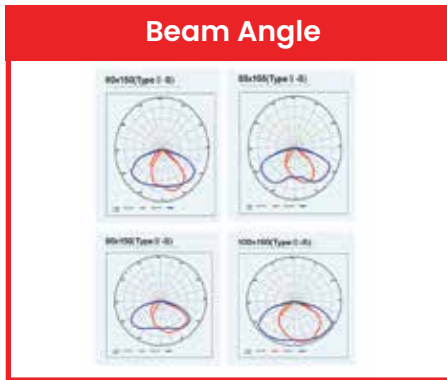
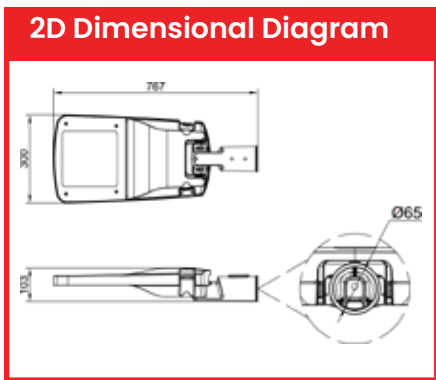
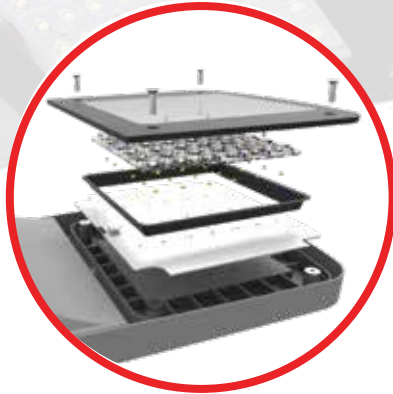
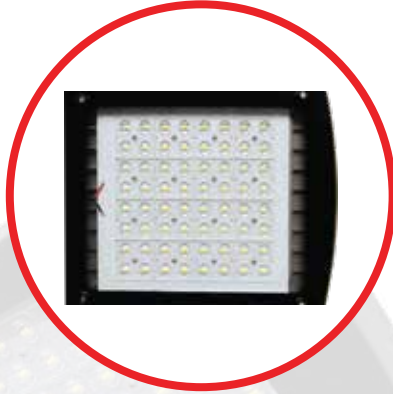


# LED Street Light Series





# LED Street Light



### Driver Brand

**MW** MEAN WELL  
 **LED**  
 **SOSEN**  
 Others

### Chip Brand

**bridgelux**  
 **CREE**  
 **PHILIPS** LUMILEDS  
 Others

### Certificats

**CE**  **RoHS**  **TUV**  **CB**  **SASO**

AC100-277V

50/60Hz

2500-6500(K)

RA>80

DALI

50,000 [h]



# LED Street Light

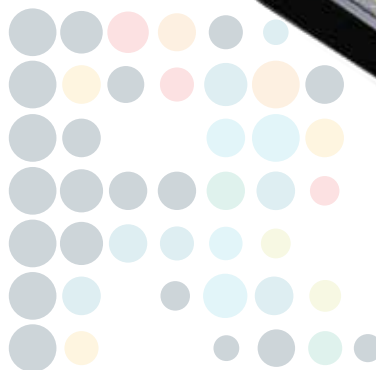


SL.No.	Model No.	Power (Watt)	Lumen(LM)	CRI.	Color Temp (CCT).	Beam Angle	N.W(KG)	Materials	Power Factor (PF)	Dimention mm	LED Type
01	EL-ASRT-50	50W	65,00lm	>70Ra	3000K to 6000K	120°	4.0	Al+PC	>0.9	577x233x103	2835
02	EL-ASRT-100	100W	13,000lm	>70Ra	3000K to 6000K	120°	5.0	Al+PC	>0.9	627x272x103	2835
03	EL-ASRT-150	150W	19,500lm	>70Ra	3000K to 6000K	120°	5.0	Al+PC	>0.9	627x272x103	2835
04	EL-ASRT-200	200W	26,000lm	>70Ra	3000K to 6000K	120°	6.5	Al+PC	>0.9	767x300x103	2835

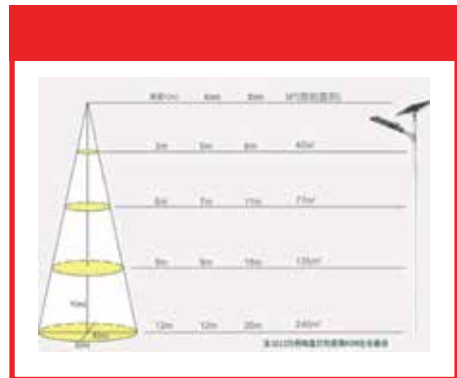
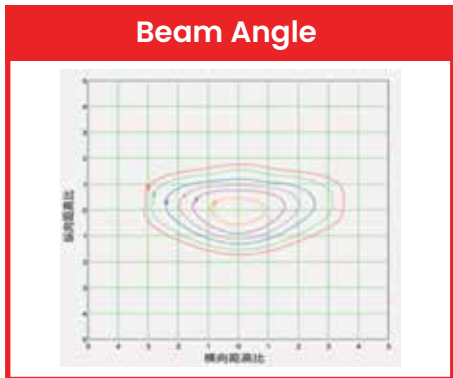
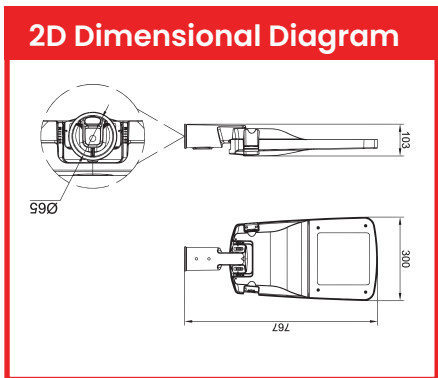
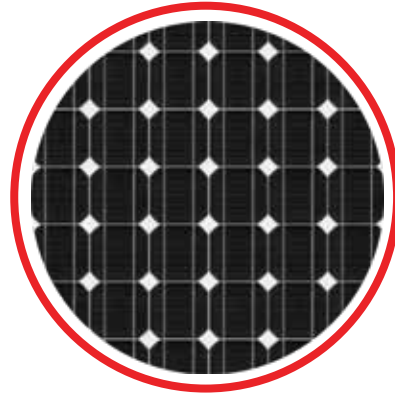
## Features:

- Highly energy efficient - up to 130 lm/w
- Tool Free Access to Driver Box.
- Rugged One-piece Die Cast Housing.
- Easy Installation, Direct Slide-in Mount.
- Multiple Choice of Optical Lenses.
- IP65 rated for all outdoor conditions
- 5 Years warranty
- Operating Temperature-30 to 55°C (-22 to 131°F)
- Storing Temperature-40 to 80°C (-40 to 176°F)

[www.alroufled.com](http://www.alroufled.com)



# LED Solar Street Light



### Driver Brand

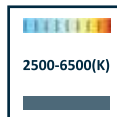
**MW** MEAN WELL  
 **LED**  
 **SOSEN**  
 Others

### Chip Brand

**bridgelux**  
 **CREE**  
 **PHILIPS** LUMILEDS  
 Others

### Certificats

**CE**  **RoHS**  **TUV**  **CB**  **SASO**



# LED Solar Street Light



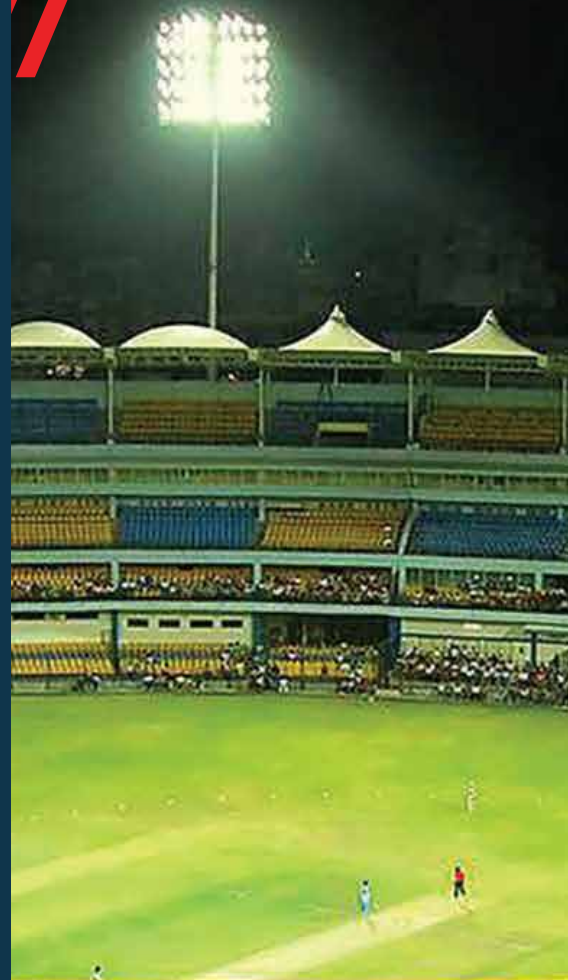
Sl.No.	Model No.	Power (Watt)	Lumen(LM)	CRI.	Color Temp (CCT).	Beam Angle	N.W(KG)	Materials	Power Factor (PF)	Dimension mm	LED Type
01	GN-ARSSL-40	40W	48,00lm	>80Ra	6000K to 6500K	120°	80 Wp	Al+PC	12.8V/24Ah LifePo4	750x345x155	3030
02	EL-ASRSL-60	60W	72,00lm	>80Ra	6000K to 6500K	120°	120 Wp	Al+PC	12.8V/24Ah LifePo4	830x345x155	3030

## Features:

- Highly energy efficient - up to 120 lm/w
- Built- in Lithium Battery
- Integrated Die-Casting Aluminum Body and Heat Sink
- Built-in Solar Charge Controller
- Discharge time 12hours
- POWER OUTPUT 4 hours 100% max. power, 4 hours 60%, 4 hours 30%
- IP66 rated for all outdoor conditions
- 3 Years warranty

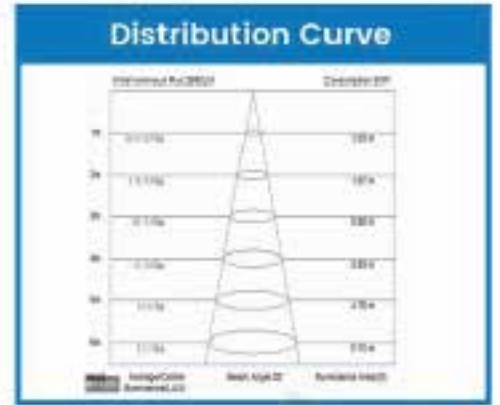
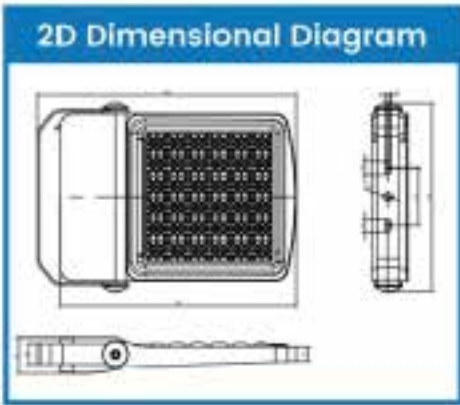


# LED Flood Light Series





# LED Flood Light



**Driver Brand**

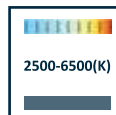
- 
- 
- 
- Others

**Chip Brand**

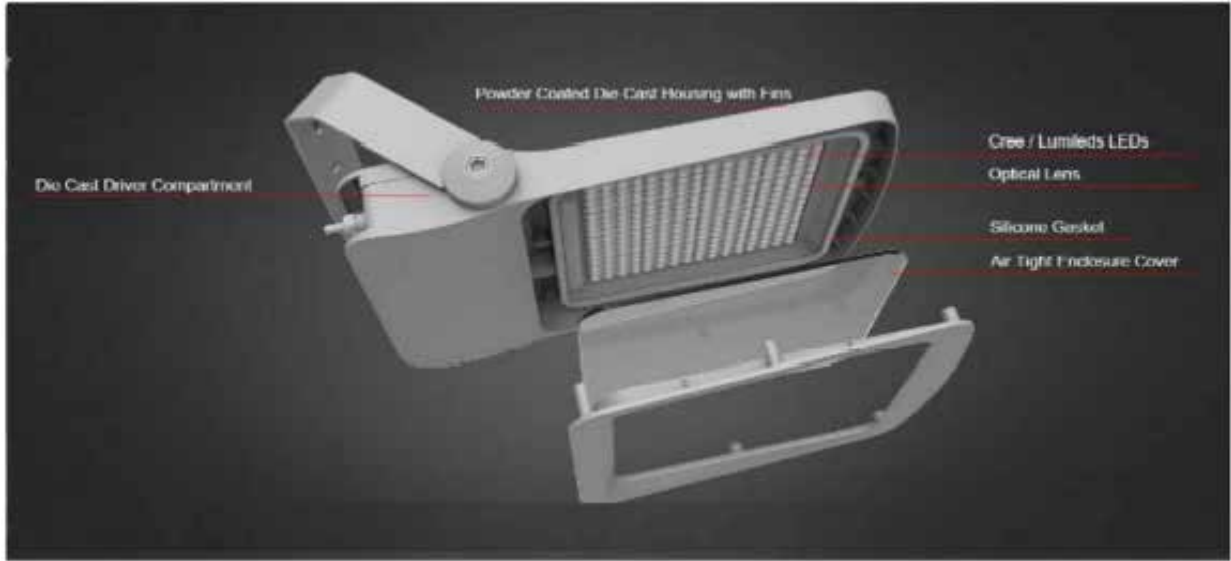
- 
- 
- 
- Others

**Certificats**

- 
- 
- 
- 
- 



# LED Flood Light



Sl.No.	Model No.	Power(Watt)	Efficacy	Total Lumen	Net Weight	Dimension
01	EL-ARIN-30	30 W	132LPW	3,960lm	3.5kg/17.7lbs	352x370x175 mm 13.9x14.6x6.9 in
02	EL-ARIN-50	50 W	129LPW	6,450lm	3.5kg/17.7lbs	446x370x175 mm 17.6x14.6x6.9 in
03	EL-ARIN-70	70 W	133LPW	9,310lm	5.2kg/11.5lbs	540x370x175 mm 21.3x14.6x6.9 in
04	EL-ARIN-100	100 W	132LPW	13,200lm	5.2kg/11.5lbs	619x410x180mm 24.4x16.1x7.1 in
05	EL-ARIN-150	150 W	130LPW	19,500lm	12.2kg/26.9lbs	713x410x180 mm 28.1x16.1x7.1 in
06	EL-ARIN-200	200 W	130LPW	26,000lm	12.2kg/26.9lbs	910x420x180 mm 35.5x16.5x7.1 in
07	EL-ARIN-300	300 W	133LPW	39,900lm	14kg/30.9lbs	1004x420x180 mm 39.5x16.5x7.1 in
08	EL-ARIN-400	400 W	132LPW	52,800lm	14kg/30.9lbs	1192x420x180 mm 46.9x16.5x7.1 in

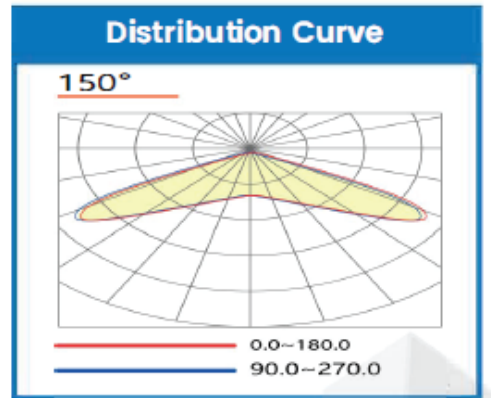
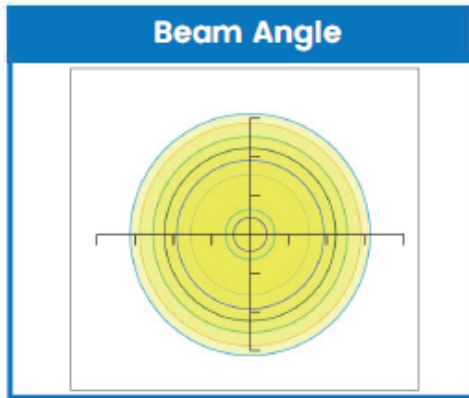
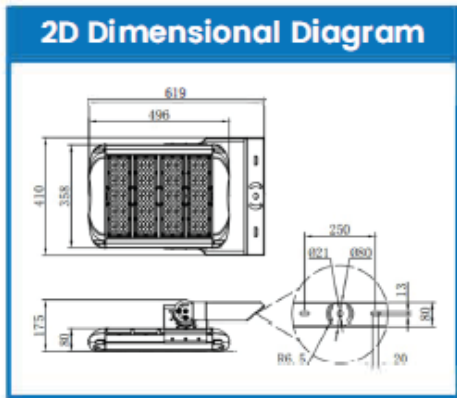
## Features:

- Ultra Bright. Up to 192,000lm
- lumen Maintenance: 170-150,000 Hours (Calculated Using TM-21 Calculator)
- Flexible, Modular Design & Multiple Choice of Optical Lenses & Easy Installation & Maintenance
- Input Voltage 100-277 VAC (347/480 VAC Optional) Dimming Optional
- IP66 & IK08 rated for all outdoor conditions
- Operating & Storing Temperature: -30 to 50°C (-22 to 131 ° F) & -40 to 80°C (-40 to 176°F)
- CCT 4500-5500K (standard) & 2500-6500K (optional)
- LED Chip make : Phillips Lumileds / Cree

[www.alroufled.com](http://www.alroufled.com)



# LED Flood Light



#### Driver Brand

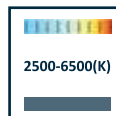
- MW** MEAN WELL
- LED**
- SOSEN**
- Others

#### Chip Brand

- bridgelux.
- CREE
- PHILIPS LUMILUX
- Others

#### Certificats

- CE**
- RoHS**
- TUV**
- CB**
- SASO**





# LED Flood Light



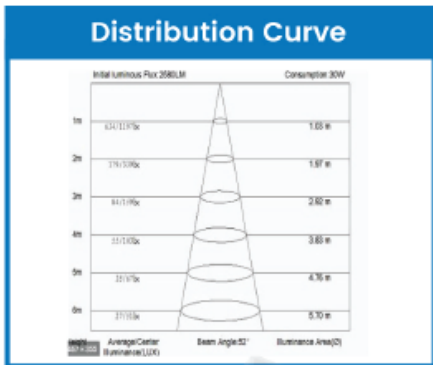
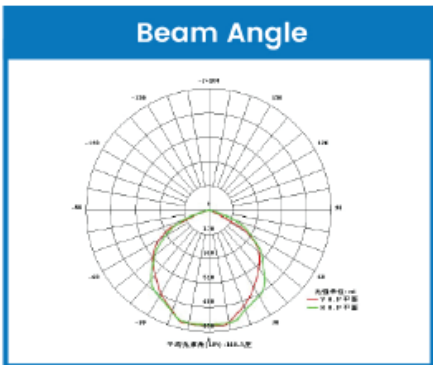
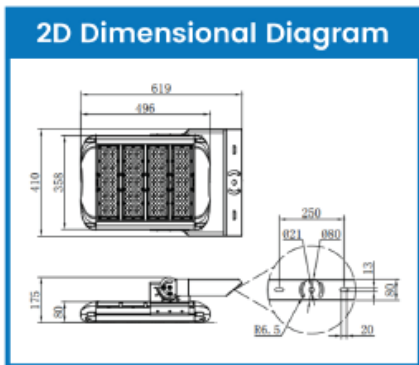
Sl.No.	Model No.	Power(Watt)	Efficacy	Total Lumen	Net Weight	Dimension
01	EL-NEDARL-120FL	120 W	160LPW	19,200lm	5.4kg/11.9lbs	352x370x175 mm 13.9x14.6x6.9 in
02	EL-NEDARL-200FL	200 W	160LPW	33,000lm	6.5kg/14.3lbs	446x370x175 mm 17.6x14.6x6.9 in
03	EL-NEDARL-300FL	300 W	160LPW	49,500lm	7.5kg/17.4lbs	540x370x175 mm 21.3x14.6x6.9 in
04	EL-NEDARL-400FL	400 W	160LPW	66,000lm	7.9kg/17.4lbs	619x410x180mm 24.4x16.1x7.1 in
05	EL-NEDARL-600FL	600 W	160LPW	96,000lm	12.5kg/27.6lbs	713x410x180 mm 28.1x16.1x7.1 in
06	EL-NEDARL-800FL	800 W	160LPW	128,000lm	7.5.3kg/38.6lbs	910x420x180 mm 35.5x16.5x7.1 in
07	EL-NEDARL-960FL	960 W	160LPW	153,600lm	20.3kg/44.8lbs	1004x420x180 mm 39.5x16.5x7.1 in
08	EL-NEDARL-1200FL	1200 W	160LPW	192,000lm	25.7kg/56.7lbs	1192x420x180 mm 46.9x16.5x7.1 in

## Features:

- Ultra Bright, Up to 192,000Lm
- Lumen Maintenance: L70>100,000 Hours(Calculated Using TM-21Calculator)
- Flexible, Modular design & Multiple Choice of Optical Lenses & easy Installation & Maintenance
- Input Voltage 100-277 VAC (347/480 VAC Optional)
- IP66 ● LED Chip make : Philips Lumileds
- 5 Years warranty ● Operating Temperature; -30 to 50°C (-22 to 131° F)
- Storing Temperature: -40 to 80°C (-40 to 176° F)
- Color Temperature 4500-5500K (2500-5500K Optional)



# LED Flood Light



### Driver Brand

**MW** MEAN WELL  
 **LED**  
 **SOSEN**  
 Others

### Chip Brand

**bridgelux**  
 **CREE**  
 **PHILIPS** LUMILEDS  
 Others

### Certificats

**CE** **RoHS** **TUV** **CB** **SASO**

AC100-277V

50/60Hz

2500-6500(K)

RA>80

DALI

50,000 [h]

# LED Flood Light



Sl.No.	Model No.	Power(Watt)	Efficacy	Total Lumen	Net Weight	Dimension
01	EL-PEDARL-50FL	50 W	180LPW	9,000lm	5.4kg/11.9lbs	352x370x175 mm 13.9x14.6x6.9 in
02	EL-NEDARL-100FL	100 W	180LPW	18,000lm	6.5kg/14.3lbs	446x370x175 mm 17.6x14.6x6.9 in
03	EL-NEDARL-150FL	150 W	180LPW	27,000lm	7.5kg/16.5lbs	540x370x175 mm 21.3x14.6x6.9 in
04	EL-NEDARL-200FL	200 W	180LPW	36,000lm	7.9kg/17.4lbs	619x410x180mm 24.4x16.1x7.1 in
05	EL-NEDARL-300FL	300 W	180LPW	54,000lm	14.8kg/32.6lbs	807x410x175 mm 31.8x16.1x6.9 in
06	EL-NEDARL-450FL	450 W	180LPW	81,000lm	18.3kg/40.3lbs	1098x420x180 mm 43.2x16.5x7.1 in

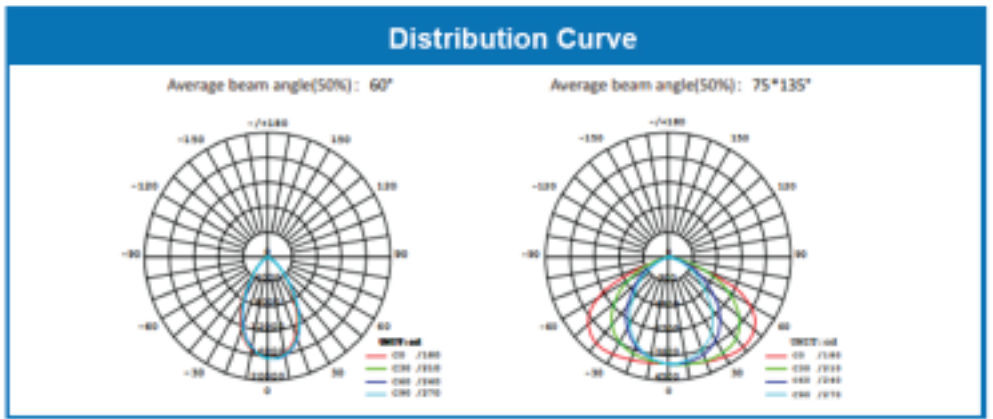
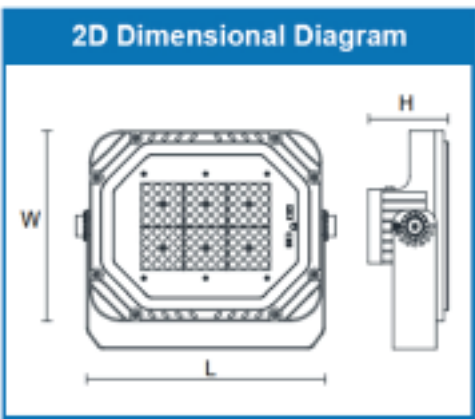
## Features:

- Ultra Bright, Up to 192,000lm
- Lumen Maintenance: 170>100,000 Hours (Calculated Using TM-21Calculator)
- Flexible, Modular design & Multiple Choice of Optical Lenses & easy Installation & Maintenance
- Input Voltage 100-277 VAC (347/480 VAC Optional) Dimming Optional
- IP66 & IK08 rated for all outdoor conditions
- Operating Temperature; -30 to 50°C (-22 to 131 ° F)
- Storing Temperature: -40 to 80°C (-40 to 176° F)
- Color Temperature 4500-5500K & 2500-5500K (Optional)
- LED Chip make : Philips Lumileds / Cree

[www.alroufled.com](http://www.alroufled.com)



# LED Flood Light



**Driver Brand**

Others

**Chip Brand**

Others

**Certificats**

AC100-277V

50/60Hz

2500-6500(K)

RA>80

DALI

[h]  
50,000

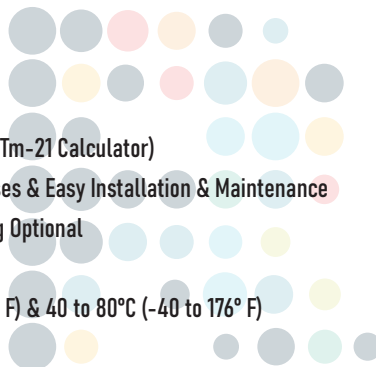
# LED Flood Light



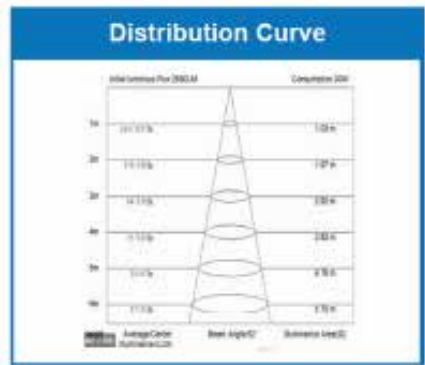
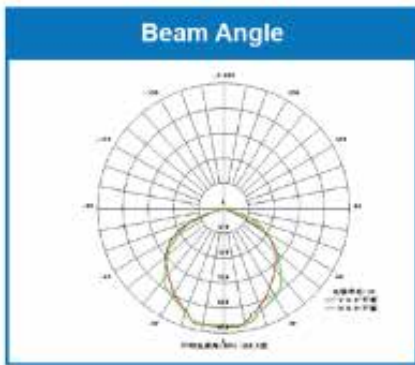
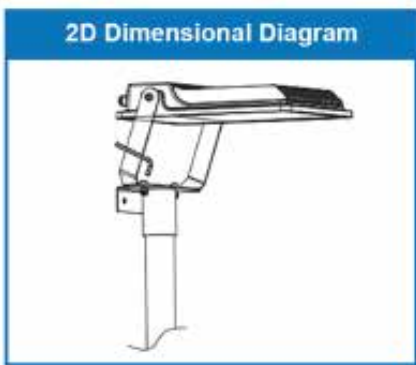
Sl.No.	Model No.	Power(Watt)	Voltage	Efficacy	Total Lumen	Beam Angle	LED Quantity	Model
01	ARFT-T150-30W	30 W	AC100-277V 50-60Hz	140±10	4200±300	30°/60°/90° 90°/120° 40°/130° Type 2, Type 3, Type 4/ T1-VS, T2-M, T2-s, T3-M	56 PCS EMC3030	>70
02	ARFT-T150-50W	50 W		140±10	7000±500		56 PCS EMC3030	
03	ARFT-T150-80W	80 W		140±10	11200±800		126 PCS EMC3030	
04	ARFT-T150-100W	100 W		140±10	14000±1000		126 PCS EMC3030	
05	ARFT-T150-120W	120 W		140±10	16800±1200		126 PCS EMC3030	
06	ARFT-T150-150W	150 W		140±10	21000±1500		224 PCS EMC3030	
07	ARFT-T150-200W	200 W		140±10	28000±2000		224 PCS EMC3030	
08	ARFT-T150-240W	240 W		140±10	33600±2400		350 PCS EMC3030	
09	ARFT-T150-240W	300 W		140±10	42000±3000		350 PCS EMC3030	

## Features:

- System Light Efficacy 160-165 LPW
  - Ultra Bright, Up to 192,000Lm
  - Lumen Maintenance: L70>150,000 Hours (Calculated Using Tm-21 Calculator)
  - Flexible, Modular Design & Multiple Choice of Optical Lenses & Easy Installation & Maintenance
  - Input Voltage 100-277 VAC (347/480 VAC Optional) Dimming Optional
  - IK10 rated for all outdoor conditions
  - Operating & Storing Temperature: -30 to 50°C (-22 to 131° F) & 40 to 80°C (-40 to 176° F)
  - 5 years warranty
- [www.alroufled.com](http://www.alroufled.com)



# LED Flood Light



**Driver Brand**

**MW** MEAN WELL  **LED**  **SOSEN**

Others

**Chip Brand**

bridgelux  CREE  PHILIPS LUMILEDS

Others

**Certificats**

**CE** **RoHS** **TUV** **CB** **SASO**

AC100-277V

50/60Hz

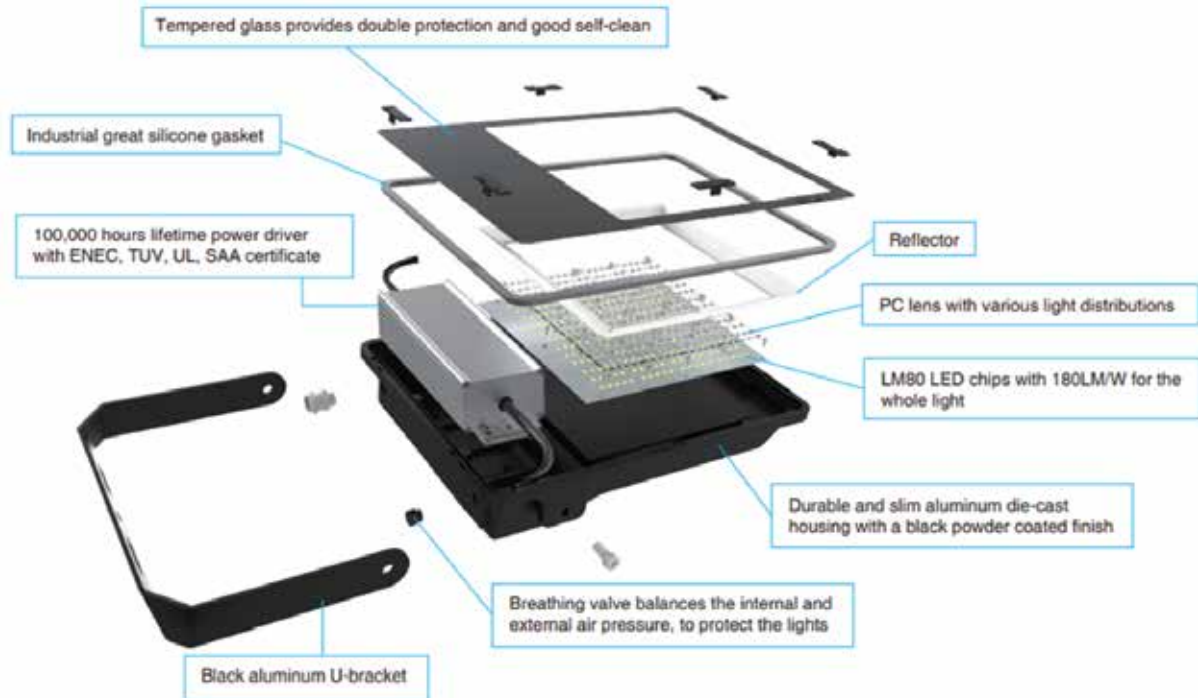
2500-6500(K)

RA>80

DALI

50,000 [h]

# LED Flood Light

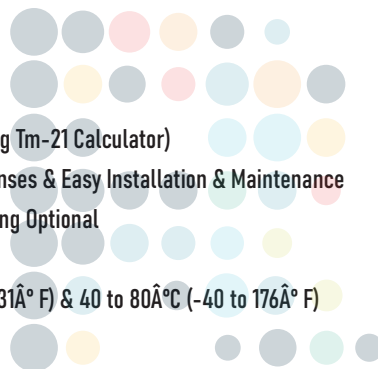


Sl.No.	Model No.	Power(Watt)	Voltage	Efficacy	Total Lumen	Beam Angle	LED Quantity	Model
01	ARFT-T37-30W	30 W	AC100-277V 50-60Hz	140±10	4200±300	30°/60°/90° 90°/120° 40°/130° Type 2, Type 3, Type 4/ T1-VS, T2-M, T2-s, T3-M	56 PCS EMC3030	>70
02	ARFT-T37-50W	50 W		140±10	7000±500		56 PCS EMC3030	
03	ARFT-T37-80W	80 W		140±10	11200±800		126 PCS EMC3030	
04	ARFT-T37-100W	100 W		140±10	14000±1000		126 PCS EMC3030	
05	ARFT-T37-120W	120 W		140±10	16800±1200		126 PCS EMC3030	
06	ARFT-T37-150W	150 W		140±10	21000±1500		224 PCS EMC3030	
07	ARFT-T37-200W	200 W		140±10	28000±2000		224 PCS EMC3030	
08	ARFT-T37-240W	240 W		140±10	33600±2400		350 PCS EMC3030	
09	ARFT-T37-240W	300 W		140±10	42000±3000		350 PCS EMC3030	

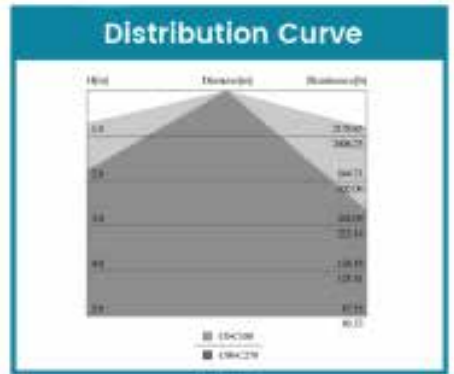
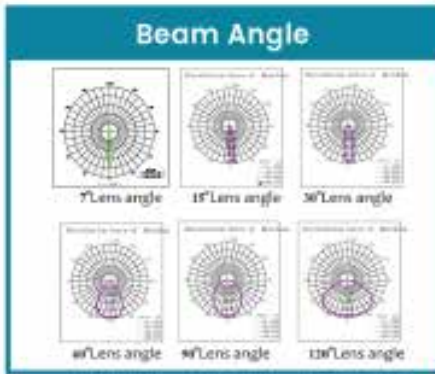
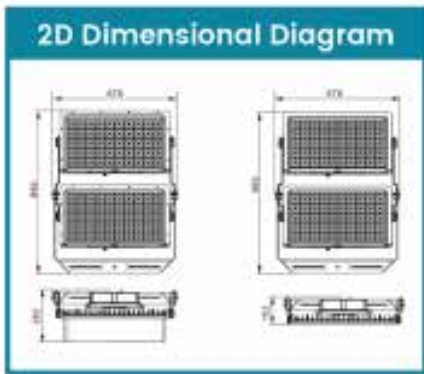
## Features:

- System Light Efficacy 160-165 LPW
- Ultra Bright, Up to 192,000Lm
- Lumen Maintenance: L70>150,000 Hours (Calculated Using Tm-21 Calculator)
- Flexible, Modular Design & Multiple Choice of Optical Lenses & Easy Installation & Maintenance
- Input Voltage 100-277 VAC (347/480 VAC Optional) Dimming Optional
- IK10 rated for all outdoor conditions
- Operating & Storing Temperature: -30 to 50Â°C (-22 to 131Â° F) & 40 to 80Â°C (-40 to 176Â° F)
- 5 Years warranty

www.alroufled.com



# LED Stadium Light



**Driver Brand**

Others

**Chip Brand**

Others

**Certificats**

AC100-277V

50/60Hz

2500-6500(K)

RA>80

DALI

[h]  
50,000



# LED Stadium Light



Item No.	DL 1203-1000				DL 1203-1000			
	869*678*152mm		869*678*282mm ( with hood cover )		869*678*152mm		869*678*282mm ( with hood cover )	
Product size								
Input Voltage	AC100V-240V 50/60HZ				AC100V-240V 50/60HZ			
Luminous Efficiency	110LM/W	120LM/W	140LM/W	160LM/W	100LM/W	110LM/W	120LM/W	140LM/W
Lens Type	4-in-one	12-in-one	16-in-one	24-in-one	4-in-one	12-in-one	16-in-one	24-in-one
LED Quantity	400PCS	1200PCS	1600PCS	2400PCS	400PCS	1200PCS	1600PCS	2400PCS
Beam Angle	7°	15°, 30°, 60°, 90° 120°, T2M°, T3M°	30°, 60°, 90°, 120° T2M°, T3M°	30°, 60°, 90°, 120° T2M°, T3M°, T4M°	7°	15°, 30°, 60°, 90° 120°, T2M°, T3M°	30°, 60°, 90°, 120° T2M°, T3M°	30°, 60°, 90°, 120° T2M°, T3M°, T4M°
LED Dimension	3535	3030	3030	3030	3535	3030	3030	3030
Luminous Flux	110000±5%	120000±5%	140000±5%	140000±5%	120000±5%	132000±5%	144000±5%	168000±5%
Driver Brand	SSS-240VA HLG-480H	ELG-240/SS-240VA/HLG-480H/HLG-320H/HLG-600H/SS-600VP						
CCT	3000K/4000K/5000K/6000K							
CRI	Ra>80							
Power Supply Efficiency	>88%							
Power Factor (PF)	>0.9							
THD	±15%							
IP Rank	IP 66							
Net Weight	32KG	32KG	32KG	32KG	32KG	32KG	32KG	32KG
Certificate	CE, CB							

## Features:

- Patented design, integrated aluminum die-casting mould
- High efficiency: 160lm/w ● Lens angle: 7°/15°/30°/60°/90°/120°/T2M/T3M/T4M
- Perteet surface finish: black, grey coating available.
- Compatible with mainstream driver like MeanWell, Sosen, Moso, etc & Attachable with more models.

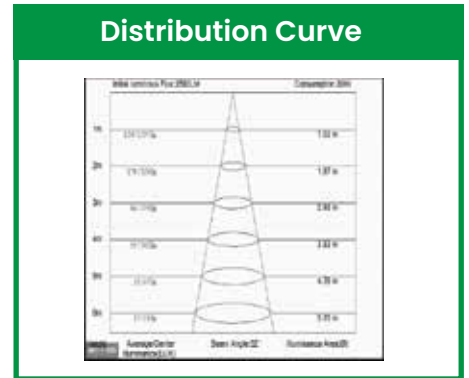
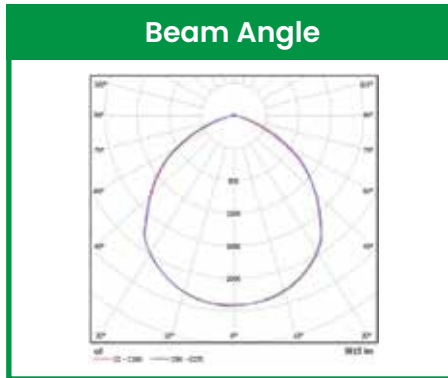
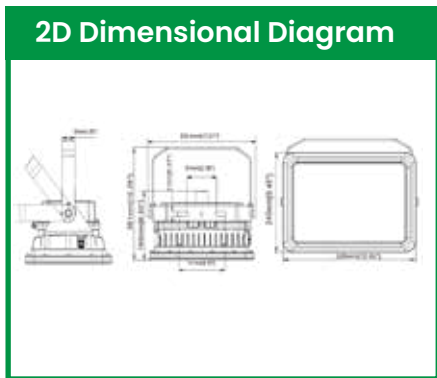
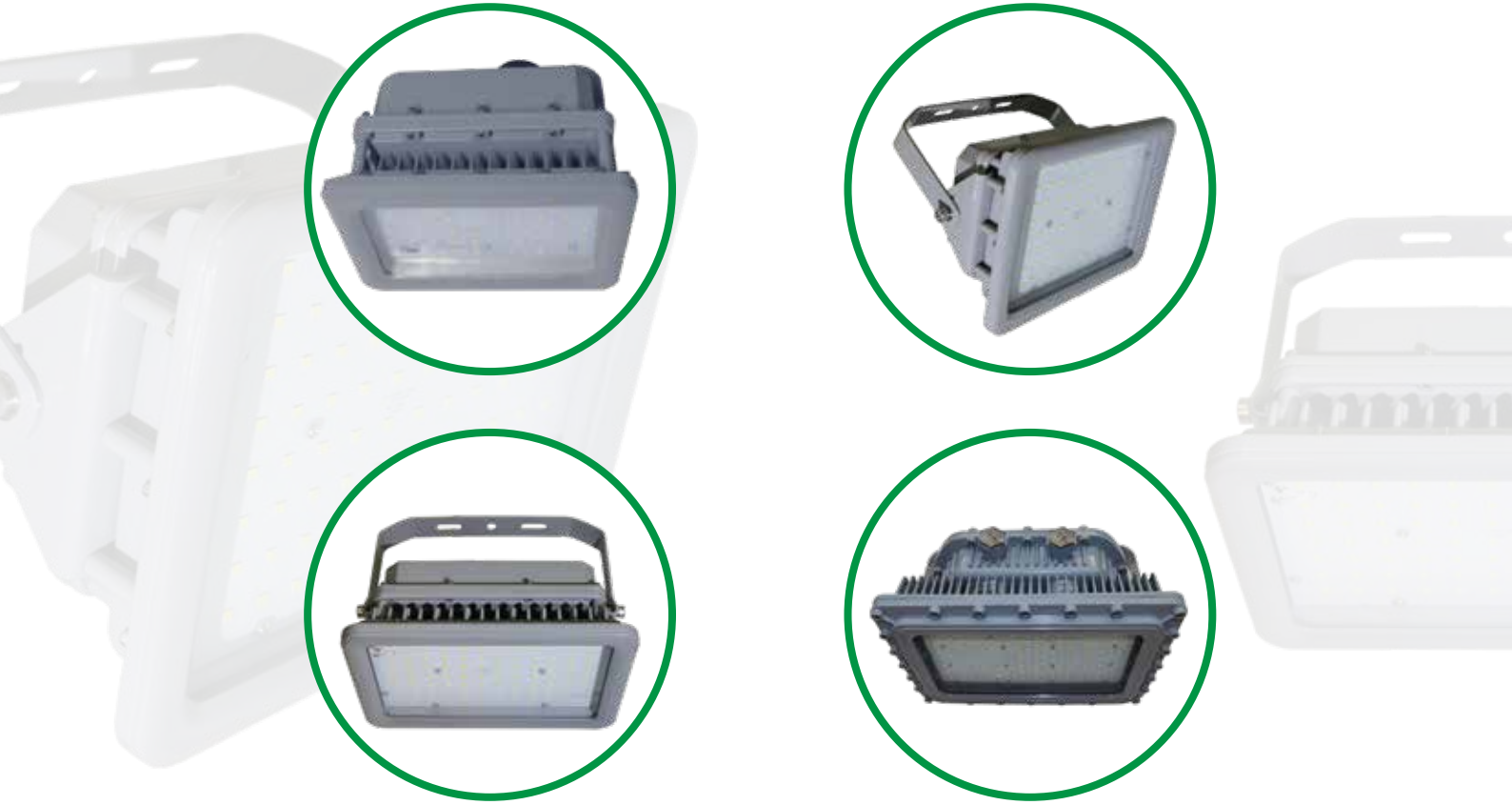


# LED Explosion Proof Light Series





# LED Explosion Proof Light



### Driver Brand

**MW** MEAN WELL  
 **LED**  
 **SOSEN**  
 Others

### Chip Brand

**bridgelux**  
 **CREE**  
 **PHILIPS** LUMILEDS  
 Others

### Certificats

**CE**  **RoHS**  **TUV**  **CB**  **SASO**

AC100-277V

50/60Hz

2500-6500(K)

RA>80

DALI

50,000 [h]

# LED Explosion Proof Light



Sl.No.	Model No.	Power (Watt)	Lumen(LM)	CRI.	Color Temp (CCT).	Beam Angle	N.W(KG)	Materials	Power Factor (PF)	Dimention mm	LED Type
01	A-VARAEX-20	20W	28,00lm	>70Ra	2700K to 7000K	40°/60°/90°/120°	4.15	Al+glass	>0.95	36.5x27x30.5	2835
02	A-VARAEX-40	40W	56,00lm	>70Ra	2700K to 7000K	40°/60°/90°/120°	4.15	Al+glass	>0.95	36.5x27x30.5	2835
03	A-VARAEX-60	60W	84,00lm	>70Ra	2700K to 7000K	40°/60°/90°/120°	6.95	Al+glass	>0.95	37.5x34x21.5	2835
04	A-VARAEX-80	80W	112,00lm	>70Ra	2700K to 7000K	40°/60°/90°/120°	6.95	Al+glass	>0.95	37.5x34x21.5	2835
05	A-VARAEX-100	100W	140,00lm	>70Ra	2700K to 7000K	40°/60°/90°/120°	6.95	Al+glass	>0.95	37.5x34x21.5	2835
06	A-VARAEX-120	120W	168,00lm	>70Ra	2700K to 7000K	40°/60°/90°/120°	8.3	Al+glass	>0.95	48.5x34x36.5	2835
07	A-VARAEX-180	180W	210,00lm	>70Ra	2700K to 7000K	40°/60°/90°/120°	8.3	Al+glass	>0.95	48.5x34x36.5	2835
08	A-VARAEX-200	200W	280,00lm	>70Ra	2700K to 7000K	40°/60°/90°/120°	8.3	Al+glass	>0.95	48.5x34x36.5	2835

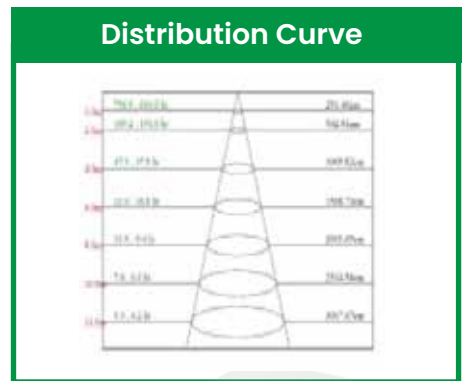
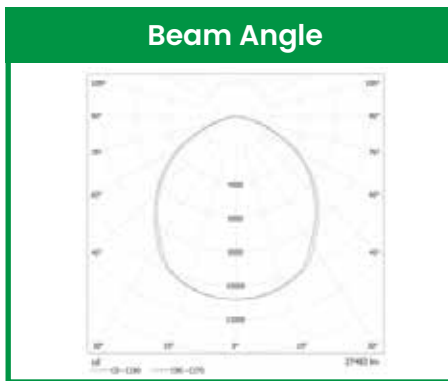
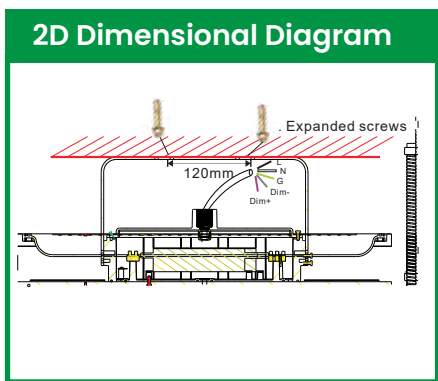
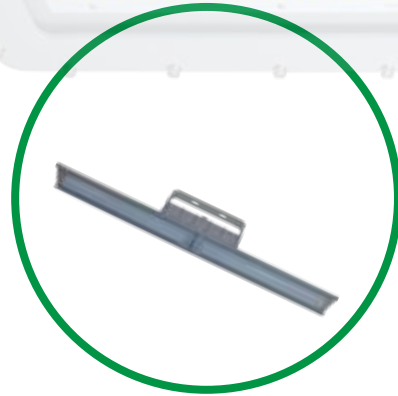
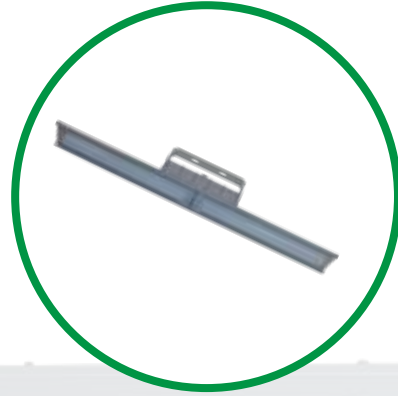
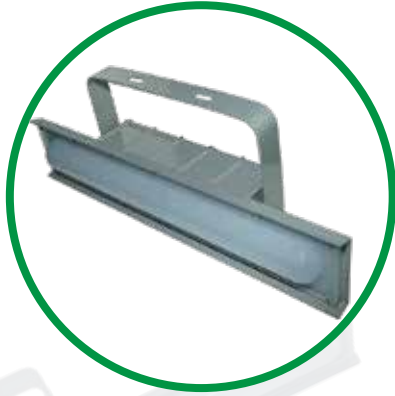
## Features:

High quality SMT LED and Meanwell Driver.  
Light-weight design by aircraft aluminum.  
Heavy-duty and high impact resistance.  
Three connection cable entry points.  
Replaceable LED board and drivers.  
Integrated junction box for driver.  
Dimmable and battery back up function available.  
[www.alroufled.com](http://www.alroufled.com)

Marine rating powder coated appearance treatment.  
Tempered glass resistant from high-energy impact.  
Stainless steel exposed fasteners.  
10kv surge protection.  
Voltage range: 100-277/200-480V  
Protection rating: IP66 & IK10  
Up to ten years limited warranty option.  
Emergency Battery back up(Optional).  
Working temperature can be more than 85°C.

Various installation ways for different applications.  
Glass lens or Glass with polycarbonate lens to make wider beam angle.  
Customized motion sensor(Optional).  
Advanced smart system: WIFI & BLUE-TOOTH(Optional).  
5 years warranty

# LED High Bay Light



### Driver Brand

**MW** MEAN WELL  
 **LED**  
 **SOSEN**  
 Others

### Chip Brand

bridgelux  
 CREE  
 PHILIPS LUMILEDS  
 Others

### Certificats

**CE**  **RoHS**  **TUV**  **CB**  **SASO**

AC100-277V

50/60Hz

2500-6500(K)

RA>80

DALI

50,000 [h]

# LED High Bay Light



SL.No.	Model No.	Power (Watt)	Lumen(LM)	CRI.	Color Temp (CCT).	Beam Angle	N.W(KG)	Materials	Power Factor (PF)	Dimension mm	LED Type
01	E-VARAEX-20	20W	28,00lm	>70Ra	2700K to 7000K	40°/60°/90°/120°	4.15	Al+glass	>0.95	36.5x27x30.5	2835
02	E-VARAEX-40	40W	56,00lm	>70Ra	2700K to 7000K	40°/60°/90°/120°	4.15	Al+glass	>0.95	36.5x27x30.5	2835
03	E-VARAEX-60	60W	84,00lm	>70Ra	2700K to 7000K	40°/60°/90°/120°	6.95	Al+glass	>0.95	37.5x34x21.5	2835
04	E-VARAEX-80	80W	112,00lm	>70Ra	2700K to 7000K	40°/60°/90°/120°	6.95	Al+glass	>0.95	37.5x34x21.5	2835
05	E-VARAEX-100	100W	140,00lm	>70Ra	2700K to 7000K	40°/60°/90°/120°	6.95	Al+glass	>0.95	37.5x34x21.5	2835
06	E-VARAEX-120	120W	168,00lm	>70Ra	2700K to 7000K	40°/60°/90°/120°	8.3	Al+glass	>0.95	48.5x34x36.5	2835
07	E-VARAEX-180	180W	210,00lm	>70Ra	2700K to 7000K	40°/60°/90°/120°	8.3	Al+glass	>0.95	48.5x34x36.5	2835
08	E-VARAEX-200	200W	280,00lm	>70Ra	2700K to 7000K	40°/60°/90°/120°	8.3	Al+glass	>0.95	48.5x34x36.5	2835

## Features:

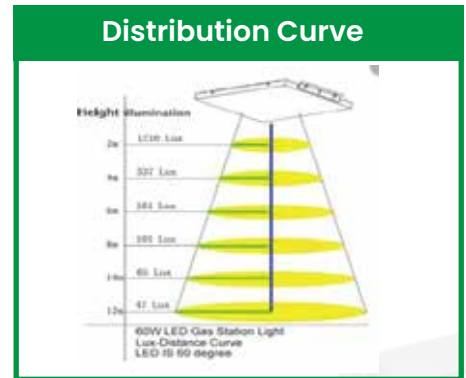
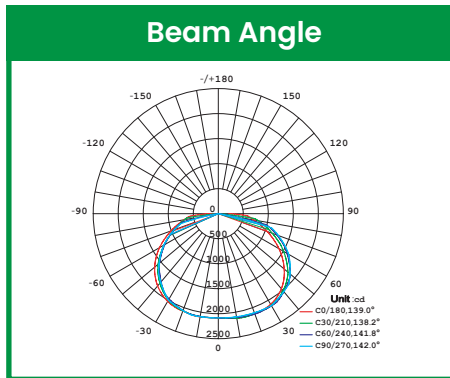
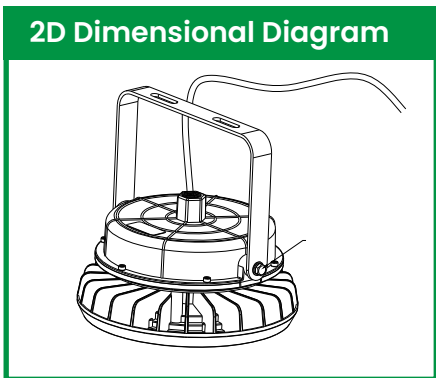
- High quality SMT LED and Meanwell Driver.
- Light-weight design by aircraft aluminum.
- Heavy-duty and high impact resistance.
- Three connection cable entry points.
- Replaceable LED board and drivers.
- Integrated junction box for driver.
- Dimmable and battery back up function available.

[www.alroufled.com](http://www.alroufled.com)

- Marine rating powder coated appearance treatment.
- Two types of size available.
- High energy efficiency.
- Voltage range: 100-277/200-480V
- Protection rating: IP66 & IK10
- 10kv surge protection.
- Up to ten years limited warranty option.
- Emergency Battery back up(Optional).
- Working temperature can be more than 85°C.

- Various installation ways for different applications.
- Polycarbonate lens to make wider beam angle.
- Customized motion sensor(Optional).
- Advanced smart system: WIFI & BLUE-TOOTH(Optional).
- Warranty 5 years

# LED High Bay Light



#### Driver Brand

**MW** MEAN WELL  
 **LED**  
 **SOSEN**  
 Others

#### Chip Brand

bridgelux  
 CREE  
 PHILIPS  
 Others

#### Certificats

CE  
 RoHS  
 TUV  
 CB  
 SASO

AC100-277V

50/60Hz

2500-6500(K)

RA>80

DALI

50,000 [h]



# LED High Bay Light



Sl.No.	Model No.	Power (Watt)	Lumen(LM)	CRI.	Color Temp (CCT).	Beam Angle	N.W(KG)	Materials	Power Factor (PF)	Dimension mm	LED Type
01	E-VARBEX-20	20W	28,00lm	>80Ra	2700K to 7000K	40°/60°/90°/120°	3.5	Al+glass	>0.95	243x230x170	2835
02	E-VARBEX-40	40W	56,00lm	>80Ra	2700K to 7000K	40°/60°/90°/120°	3.5	Al+glass	>0.95	243x230x170	2835
03	E-VARBEX-60	60W	84,00lm	>80Ra	2700K to 7000K	40°/60°/90°/120°	3.5	Al+glass	>0.95	243x230x170	2835
04	E-VARBEX-80	80W	112,00lm	>80Ra	2700K to 7000K	40°/60°/90°/120°	5	Al+glass	>0.95	268x252x157	2835
05	E-VARBEX-100	100W	140,00lm	>80Ra	2700K to 7000K	40°/60°/90°/120°	5	Al+glass	>0.95	268x252x157	2835
06	E-VARBEX-120	120W	168,00lm	>80Ra	2700K to 7000K	40°/60°/90°/120°	7.5	Al+glass	>0.95	371x346x197	2835
07	E-VARBEX-180	180W	210,00lm	>80Ra	2700K to 7000K	40°/60°/90°/120°	7.5	Al+glass	>0.95	371x346x197	2835
08	E-VARBEX-200	200W	280,00lm	>80Ra	2700K to 7000K	40°/60°/90°/120°	7.5	Al+glass	>0.95	371x346x197	2835

## Features:

High quality SMT LED and Meanwell Driver.  
Light-weight design by aircraft aluminum.  
Heavy-duty and high impact resistance.  
Three connection cable entry points.  
Replaceable LED board and drivers.  
Integrated junction box for driver.  
Dimmable and battery back up function available.

[www.alroufled.com](http://www.alroufled.com)

Marine rating powder coated appearance treatment.  
10kv surge protection.  
Up to ten years limited warranty option.  
Voltage range: 100-277/200-480V  
Protection rating: IP66 & IK10  
Emergency Battery back up(Optional).  
Working temperature can be more than 85°C.  
Various installation ways for different applications.

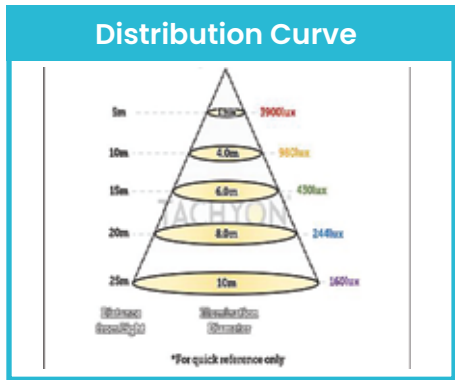
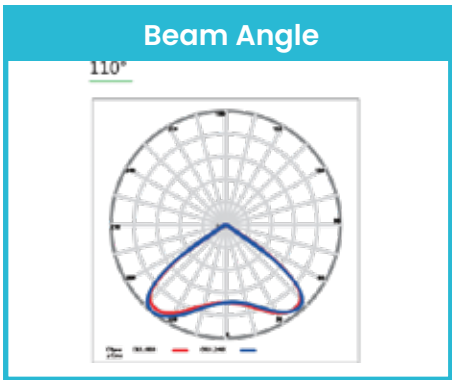
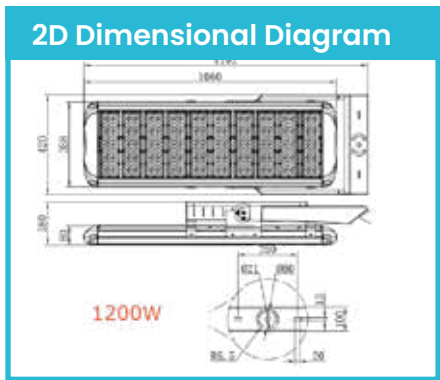
Glass lens or Glass with polycarbonate lens to make wider beam angle.  
Customized motion sensor(Optional).  
Advanced smart system: WiFi & Blue-Tooth(Optional).  
5 years warranty

# LED High Mast Light Series





# LED High Mast Light



### Driver Brand

**MW** MEAN WELL  
 **LED**  
 **SOSEN**  
 Others

### Chip Brand

bridgelux  
 **CREE**  
 **PHILIPS** LUMILEDS  
 Others

### Certificats

**CE**  **RoHS**  **TUV**  **CB**  **SASO**

AC100-277V

50/60Hz

2500-6500(K)

RA>80

DALI

50,000 [h]

# LED High Mast Light



SL.No.	Model No.	Power (Watt)	Lumen(LM)	CRI.	Color Temp (CCT).	Beam Angle	N.W(KG)	Materials	Power Factor (PF)	Dimention mm	LED Type
01	EL-ARHM-300	300W	495,00lm	>70Ra	2500K to 5500K	120°	7.5	Al+PC	>0.95	540x 370x175	3030
02	EL-ARHM-400	400W	260,00lm	>70Ra	2500K to 5500K	120°	7.9	Al+PC	>0.95	619x410x175	3030
03	EL-ARHM-600	600W	960,0lm	>70Ra	2500K to 5500K	120°	12.5	Al+PC	>0.95	713x410x180	3030
04	EL-ARHM-800	800W	1280,00lm	>70Ra	2500K to 5500K	120°	17.5	Al+PC	>0.95	910x420x180	3030
05	EL-ARHM-960	960W	1536,00lm	>70Ra	2500K to 5500K	120°	20.3	Al+PC	>0.95	1004x420x180	3030
06	EL-ARHM-1200	1200W	1920,00lm	>70Ra	2500K to 5500K	120°	25.7	Al+PC	>0.95	1192x420x180	3030

## Features:

- System Light Efficacy 160-165 LPW
- Ultra Bright, Up to 192,000Lm
- Lumen Maintenance: L70>150,000 Hours (Calculated Using Tm-21 Calculator)
- Flexible, Modular Design & Multiple Choice of Optical Lenses & Easy Installation & Maintenance
- Input Voltage 100-277 VAC (347/480 VAC Optional) Dimming Optional
- IP65 & IK10 rated for all outdoor conditions
- 5 Years warranty
- Operating & Storing Temperature: -30 to 50°C (-22 to 131°F) & -40 to 80°C (-40 to 176°F)



# Aviation Light





# LED Aviation Obstruction Lights (low intensity)



Name	Low Intensity Model No.: GS-LI/B	Low Intensity Type C Model No.: GS-LI/C
FAA Classify	L-810	L-810
Model	GS-LI/B	GS-LI/C
Power voltage	Optional: AC220V, AC120V, DC12V, DC24V, DC48V	Optional: AC220V, AC120V, DC12V, DC24V, DC48V
Power Supply Frequency	50HZ~60HZ	50HZ~60HZ
Power Consumption	≤2W	≤15W
Working mode	Steady-burning/ Flashing 20times/min	Steady-burning/ Flashing
Light Intensity	Type B ≥32.5cd Type A ≥10cd	≥200cd
Horizontal Out-put	360°	360°
Vertical Divergence	10°	10°
Optional Emitting Light Colors	Red	Red
Service Life of the Light Source	≥20years	≥20years
Overall Size(mm)	143mm×143mm×125mm / 143mm×143mm×160mm	143mm×143mm×125mm
Installation size	3/4inches screw installation or chassis installation	3/4inches screw installation or chassis installation
IP Protection	IP65	IP65
Optically Controlled Ambient Brightness	50/100Lux	50/100Lux
Ambient Temperature	-40°C~70°C	-40°C~70°C
Weight	1KG	1KG
Anti Wind Ability	120m/s	120m/s

## Description

- GS-LI/B Low-intensity aviation obstruction light, base with high intensity aviation aluminum casting, fully sealed structure.
- Light source adopt with independent research and development dedicated LED chip, integrated reflective optical structure, more uniform luminescence, lower power consumption.
- Lampshade adopt with PC material, it can resist corrosion, anti-UV, anti-shock.
- Management circuit with Strong lightning protection and With the surge protection device, which can adopt to extremely bad working environment.
- This lamp with photoswitch, it can turn on when light intensity less than 50LUX, and turn off when above 50Lux

## Features

- Integrated reflective optical structure, more uniform luminescence, lower power consumption.
- With automatically light control function that can change to working mode at rainy day and night.
- LED light source, its service life can up to 100000hours.
- Low voltage design, high safety degree for using.
- With the impact resistance, anti lightning, resistant to sunlight, anti snow, can resist typhoons, hail and other severe weather.
- With over-current protection function.
- Possess lightning protection function



# LED Aviation Obstruction Lights (low intensity)



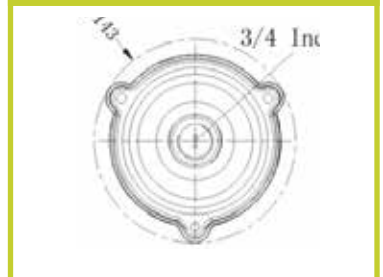
Low Intensity Dual Lamp Model No.: GS-LI/D

L-810
GS-LI/D
Optional : AC220V, AC120V, DC24V, DC48V
50HZ~60HZ
≤3Wx2
Optional: steady burning, flashing, steady burning backup, flash alternately
Type B ≥32.5cd Type A ≥10cd
360°
10°
Red
≥20years
143x143x125(mm)
3/4inches screw installation or chassis installation
IP65
50/100Lux
-40°C~70°C
0.6KG
120m/s

2D Dimensional Diagram



2D Dimensional Diagram



## CERTIFICATS



## Usage Notice

- Don't use any out of nominal voltage, or will destroy equipment.
- After install and adjust product function must be check the waterproof circle tighten the screws, in order to avoid water.
- Do not open it if the device is out of operation, in order not to be hurt by the internal high pressure.
- After finished the installation, the personnel must check whether the device is in a good waterproof processing and whether the screw spikes are tightened.
- Non-professional workers can not do the device maintenance, in order not to expand the error and be hurt.



# LED Aviation Obstruction Lights (Medium intensity)



Name	Medium Intensity Type A (Model No.: GS-MI/A)	Medium Intensity Type B (Model No.: GS-MI/B)
FAA Classify	L-865	LL-864
Model	GS-MI/A	GS-MI/B
Power voltage	AC180V-AC264V, DC48V	AC180V-AC264V, DC48V
Power Supply Frequency	50HZ~60HZ	50HZ~60HZ
Power Consumption	≤40W	≤20W
Working mode	Flashing 40-60times/min	Flashing 20-40times/min
Continuous working time		
Light Intensity	2000cd-20000cd(±25%)	2000cd ±25%
Vertical Divergence	≥3°	≥3°
Horizontal Out-put	360°	360°
Optional Emitting Light Colors	White	Red
Service Life of the Light Source		
Overall Size(mm)	255X255X210(mm)	255X255X210(mm)
Installation size	D234mm x 4 x M8	D234mm x 4 x M8
IP Protection	IP67	IP67
Optically Controlled Ambient Brightness	50/100Lux	50/100Lux
Ambient Temperature	-50°C~70°C	-50°C~70°C
Weight	3.5KG	3.5KG
Anti Wind Ability		80m/s

## Description

- All GS-MI medium intensity aviation obstruction lights, base is cast by high intensity aviation aluminum with full sealed structure.
- Light source adapts high efficient CREE chip and cooperate with condensing lens that owned independent research and developing patent, offer high light intensity, long service life and other characteristics.
- lamp shade adopts PC, which has strong ability of corrosion, anti-UV, anti-shock.
- Controlling circuit has strong ability of lighting protection and with anti-surge protection device, it can adapt to extremely bad working environment.
- This lamp with the function of adjustable code and flashing rate, user can adjust according request.

## Features

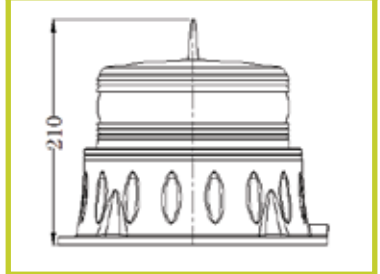
- The shell adopts high intensity aviation aluminum to cast, with full-seal structure.
- With CREE chip, which has the specific of high light intensity, low power consumption, long service life.
- Independent designed patent condensing lens, the field angle follow the standard of FAA,ICAO.
- Lamp shade adopts tempered PC material, which has strong ability of corrosion, anti-UV, anti-shock.
- With anti-surge protection device, it can adapt to extremely bad working environment.
- Adopts advanced technology of stoving varnish, which provide excellent heating dispersion, it can reduce the volume and weight of the light.
- Offer anti-shock, lighting protection, light fastness, rain and snow resistance function.
- With over-current protection function.
- Can be customized with GPS function.

# LED Aviation Obstruction Lights (Medium intensity)

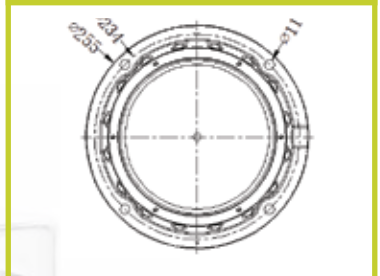


Medium Intensity Double Color (Model No.: GS-MI/D)	Medium Intensity Type B (Model No.: GS-MI/E)
L-864/865	L-864/865
GS-MI/D	GS-MI/E
AC180~264V	AC180V~AC264V
50HZ~60HZ	50HZ~60HZ
≤20W	≤20W
White light:40times/min; Red light:20~40times/min	Flashing 20times/min
200ms at night, 70ms at daytime	
2000cd (±25%) ~ 20000cd (±25%)	2000cd (±25%)
≥3°	≥3°
360°	360°
≥20years	Red
White at daytime, red at night	≥20years
255X255X150(mm)	255X255X210(mm)
D234mm x 4 x M10	D234mm x 4 x M8
IP67	IP66
50/100Lux	50/100Lux
-50°C~65°C	-40°C~60°C
3.5KG	3.5KG
80m/s	80m/s

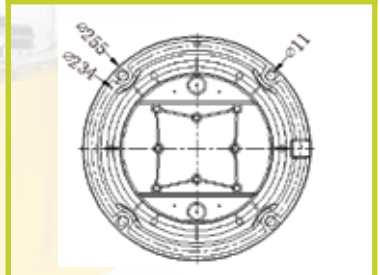
2D Dimensional Diagram



2D Dimensional Diagram



2D Dimensional Diagram



## CERTIFICATS



Federal Aviation Administration

## Usage Notice

- Don't use any out of nominal voltage, or will destroy equipment.
- After install and adjust product function must be check the waterproof circle tighten the screws, in order to avoid water.
- Do not open it if the device is out of operation, in order not to be hurt by the internal high pressure.
- After finished the installation, the personnel must check whether the device is in a good waterproof processing and whether the screw spikes are tightened.
- Non-professional workers can not do the device maintenance, in order not to expand the error and be hurt.



# LED Aviation Obstruction Lights (High Intensity)



Name	High Intensity Type A Model No.: GS-HI/A
FAA Classify	L-857
Model	GS-HI/A
Power voltage	Optional: AC220V, AC120V, AC85~270V
Power Supply Frequency	50HZ~60HZ
Power Consumption	≤60W
Working mode	Flashing 40 times/minute
Light Intensity	2,000cd~200,000cd
Continuous Working Time	70ms
Horizontal Out-put	90°~120°
Vertical Divergence	3°~7°
Optional Emitting Light Colors	White
Service Life of the Light Source	≥10years
Overall Size(mm)	570mm x190mm x 252mm
Installation size	550mm x 90mm x M10
IP Protection	IP66
Optically Controlled Ambient Brightness	50cd-500cd/m <sup>2</sup>
Ambient Temperature	-40℃~55℃
Weight	11KG
Anti Wind Ability	80m/s
500cd/m <sup>2</sup>	200,000cd
50~500cd/m <sup>2</sup>	20,000cd



## Description

- GS-HI/A High-intensity Type A Aviation Obstruction Light, the shell is made by high intensity aviation aluminum, with full sealed structure.
- The device has built-in high-efficiency reflective device and external fully toughened transparent glass.
- Light source adopts high efficient LED chip which has high brightness, low power consumption and long service life of 10 years;
- The control circuit has strong impact resistance and anti surge device, which can be applied to harsh working environment.

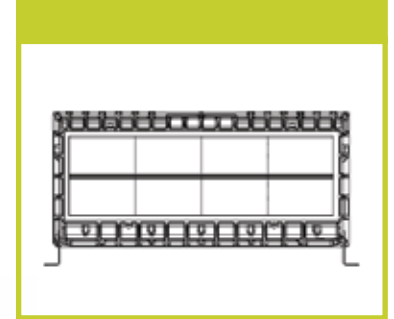
## Features

- Advanced reflective optical device, the light-emitting angle complies with CAAC and FAA standards.
- The product has an automatic light control function, which can automatically switch the light intensity level during the day, rainy days and night.
- The LED light source has a service life of more than 100,000 hours.
- It has impact resistance, lightning protection, sun resistance, rain and snow resistance, and resistance to typhoons, hail and other severe weather.
- With constant current circuit design, the overall product life is longer.
- Integrated removable LED light source module, effectively improving maintenance efficiency.
- The shell with radiator design can effectively reduce the working temperature of the product

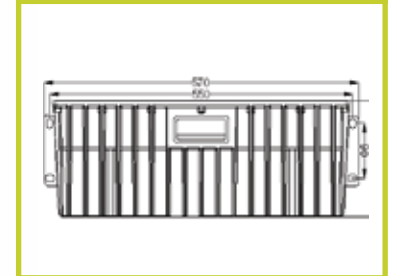
# LED Aviation Obstruction Lights (High Intensity)



Name	High Intensity Model No.: GS-HI/O
FAA Classify	L-857
Model	GS-HI/O
Power voltage	AC220V
Power Supply Frequency	50HZ~60HZ
Power Consumption	Average: ≤100w, Flashing: 750W
Working mode	Flashing 40times/min
Continuous working time	70ms
Light Intensity	Type A: 2000cd~20000cd~200000cd (±25%) Type B: 2000cd~20000cd~100000cd (±25%)
Vertical Divergence	7°
Horizontal Out-put	360°
Service Life of the Light Source	≥10 years
Emitting Light Colors	White
Overall Size(mm)	234X234X406(mm)
Installation size	180mmx180mmxM10
IP Protection	IP66
Optically Controlled Ambient Brightness	50cd-500cd/m <sup>2</sup>
Ambient Temperature	-40°C~55°C
Weight	12kg
Anti Wind Ability	80m/s



2D Dimensional Diagram



2D Dimensional Diagram



## CERTIFICATS

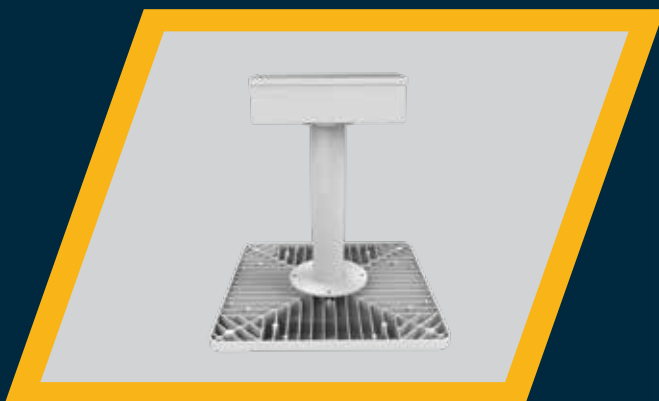


## Usage Notice

- Don't use any out of nominal voltage, otherwise will destroy the equipment.
- After install and adjust product function must be installed the waterproof ring screw down the screws, in order to avoid the water.
- Do not open it if the device is out of operation, in order not to be hurt by the internal high pressure.
- After finished the installation, the personnel must check whether the device is in a good waterproof processing and whether the screw spikes are tightened.
- Non-professional workers can not do the device maintenance, in order not to expand the error and be hurt.

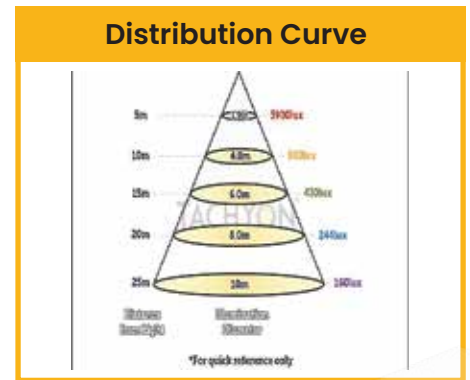
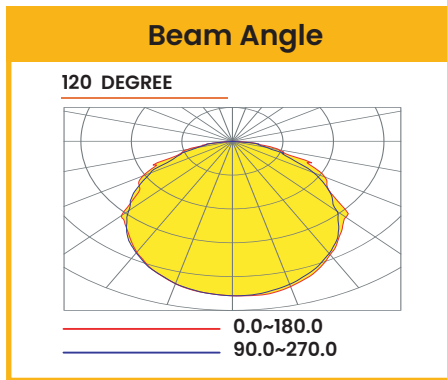
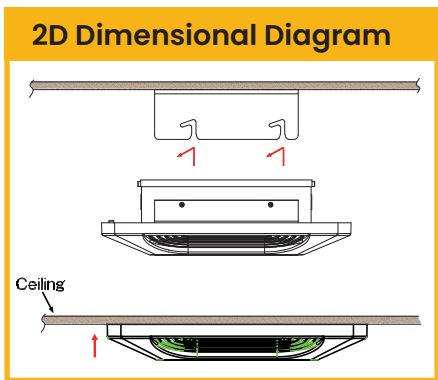
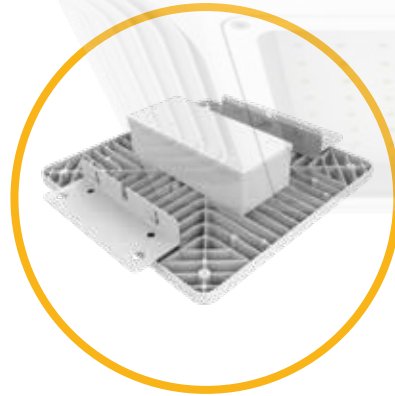
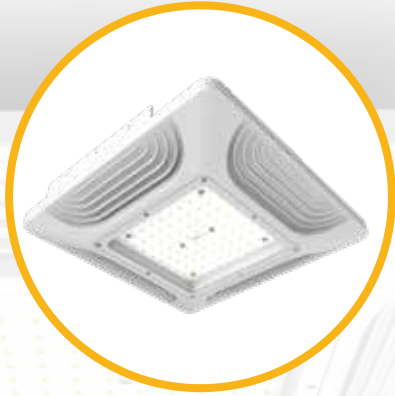


# LED Canopy Light Series





# LED Canopy Light



### Driver Brand

**MW** MEAN WELL  
 **LED**  
 **SOSEN**  
 Others

### Chip Brand

bridgelux  
 CREE  
 PHILIPS LUMILEDS  
 Others

### Certificats

CE  RoHS  TUV  CB  SASO

AC100-277V

50/60Hz

2500-6500(K)

RA>80

DALI

50,000 [h]



# LED Canopy Light



SL.No.	Model No.	Power (Watt)	Lumen(LM)	CRI.	Color Temp (CCT).	Beam Angle	N.W(KG)	Materials	Power Factor (PF)	Dimention mm	LED Type
01	OE-ARCL-80	80W	122,00lm	≥70Ra	2500K to 6500K	120°	2.1	Alumn.	>0.95	280×280×96.5	2835
02	OE-ARCL-100	100W	150,00lm	≥70Ra	2500K to 6500K	120°	2.1	Alumn.	>0.95	280×280×96.5	2835
03	OE-ARCL-120	120W	180,00lm	≥70Ra	2500K to 6500K	120°	3.1	Alumn.	>0.95	382×382×117.5	2835
04	OE-ARCL-150	150W	225,00lm	≥70Ra	2500K to 6500K	120°	3.1	Alumn.	>0.95	382×382×117.5	2835

## Features:

- System Light Efficacy 150 LPW
- Easy Installation & Maintenance
- Lumen Maintenance: L70>100,000 hours (Calculated Using TM-21 Calculator)
- Input Voltage 100-277
- IP66 rated for all outdoor conditions
- 5 Years warranty
- Operating Temperature: -30 to 50°C (-22 to 131°F)
- Storing Temperature: -40 to 80°C (-40 to 176°F)
- Certifications; CE, RoHS,CB, ETL, DLC Pending

[www.alroufled.com](http://www.alroufled.com)



# Alrouf Exit Sign



<b>Nominal Voltage:</b>	3W to 11W
<b>Available Wattages:</b>	3W,7W,11W
<b>Input Voltage:</b>	AC100-277V, 50/60 Hz
<b>Operating Temperature:</b>	10 C to 55 C
<b>Material :</b>	Copper free Aluminum Alloy
<b>Emergency Time:</b>	3hrs
<b>Safety Features:</b>	Self Testing Microprocessor
<b>Marking UL844:</b>	Class I ,Division 2, Groups A, B, C, D
<b>Certification:</b>	SASO

<b>Nominal Voltage:</b>	1W to 3W
<b>Available Wattages:</b>	1W, 2W, 3W
<b>Input Voltage:</b>	AC100-277V, DC 12-36V
<b>Operating Temperature:</b>	10 C to 55 C
<b>Material:</b>	Glass fiber reinforced polyester
<b>Color Temperature:</b>	2700 to 7000k
<b>IP Rating:</b>	IP66
<b>Safety Features:</b>	10Kv surge protection
<b>Marking UL844:</b>	Class I ,Division 2, Groups A, B, C, D
<b>Marking Atex:</b>	II2 G Ex eb ib op is q IIC T4/T5 Gb, II2 D Ex op is tb I5IIC C T/11030 C Db IP66
<b>Marking IECEx:</b>	Ex eb ib op is q IIC T4/T5 Gb E,x op si tb IIIC T135 C/100 C Db IP66
<b>Certification:</b>	SASO



# Alrouf Exit Sign

<b>Nominal Voltage:</b>	3W to 10W		
<b>Available Wattages:</b>	3W, 5W, 8W, 10W		
<b>Input Voltage:</b>	AC100-277V, DC 12-48V		
<b>Operating Temperature:</b>	10 C to 55 C		
<b>Material:</b>	A360 Die-casting aluminum, resistant acrylic		
<b>IP Rating:</b>	IP66		
<b>Safety Features:</b>	10Kv surge protection		
<b>Marking UL844:</b>	Class I, Class I, Class I, Class II, Class III	Divison 1, Groups C, D Division 2, Groups A, B, C, D Division 1, Groups E, F, G Division 2, Groups F, G	
<b>Certification:</b>	SASO		

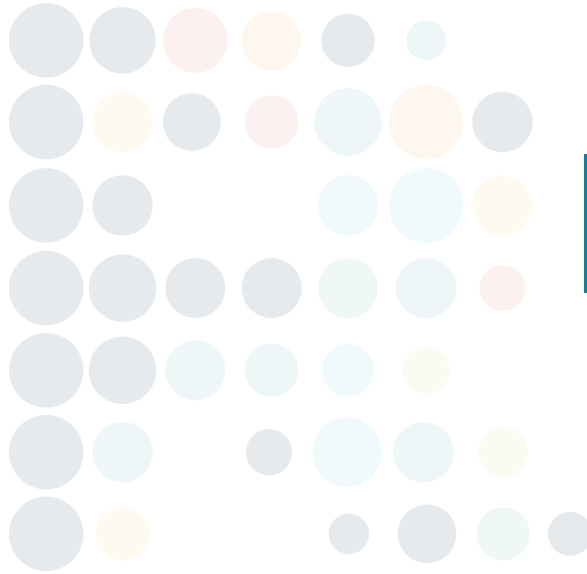
# Alrouf LED Torch



<b>Nominal Voltage:</b>	3W	
<b>Available Wattages:</b>	3.7 W	
<b>Operating Temperature:</b>	10 C to 55 C	
<b>Strong/ Normal Light Luminous Flux:</b>	>290lm/>130lm	
<b>LED Average service Life:</b>	100,000hrs	
<b>Strong/ Normal Light Duration:</b>	4hrs/8hrs	
<b>Battery Charging Hours:</b>	<6hrs	
<b>Marking UL844:</b>	Class I, Divison 1, Groups C, D	
<b>Battery Recyclable Charging Times:</b>	Approx. 1000 times	
<b>IP Rating:</b>	IP67	
<b>Material:</b>	Aluminum	
<b>Marking Atex:</b>	Ex d II Ct6	
<b>Certification:</b>	SASO	

# Lighting Design





Alrouf Lighting Technology Co. Ltd. Was not just a regular trader that only deals in selling lamps, but we are Proud to take immense effort that we are capable on design, sell and build as well by our well experienced Professionals. And as our work culture we provide our respected clients with free lighting audit/ survey, consultation, lighting design, study or roi for free mostly all of the time.

We provide these services to achieve great results beneficial to our client by meeting their needs by illumination and savings without sacrificing nature.

Doing this we focus on three fundamental aspects of the illumination of building plays.

The first is the ergonomic aspect: the measure of how much of a function the lighting plays.

Next is energy efficiency, ensuring that light is not wasted by over illumination which occurs either by illuminating vacant spaces unnecessarily or by providing more light than needed for the aesthetics or the task.

Lastly, aesthetic appeal of a building or space to be lighted, an aspect particularly important in the illumination of any environments but more on to retail industry but not limited to it.

# Project Cycle

1

## SITE SURVEY

In the stage we collect all the needed data such as facility application, existing lighting system, power consumption, CAD drawing and environment.



2

## LIGHTING DESIGN

We put all collected data into the table, and we use the latest Technology in lighting design (dialux) to the best lighting Solutions.



3

## PROJECT PROPOSAL

Project proposal we make 2 or 3 different solutions that have variation of cost and savings depending on the site and client requirements.



4

## RETURN OF INVESTMENT

For every solutions we submit return of investment study that explains an in depth details of the savings and initial cost of the solution and the payback period.



5

## SAMPLE INSTALLATION

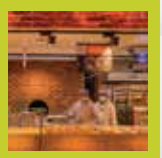
We always advice our clients of install free of charge samples to ensure our design results and at the same time the clients can perceive our lighting solutions in a realistic view.



6

## LOGISTIC & DELIVERY

We work hand to hand with the supplier and the courier to deliver the goods in the shortest time. The client is always updated by all means. In terms of courier we always work with the best regard less of the cost or value of the project.



7

## INSTALLATION

We will be there in all phases of the project giving all the needed support by The clients. We even do turnkey projects if requested by the clients.



8

## CUSTOMER TRAINING

We provide training for any contractor who will do the job for the end client. We always support them when technical issues arises



9

## AFTER SALES SERVICES

Warranty and maintenance service are issued to all clients around the country or regardless where is the location of the client





# Case Study

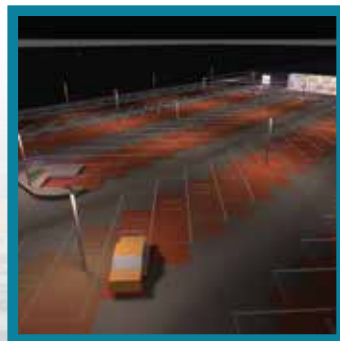
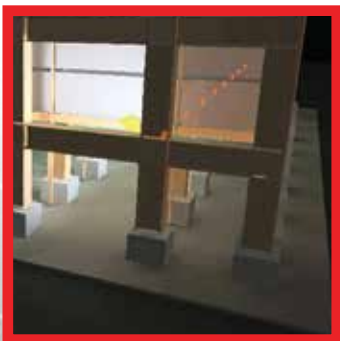
IN TODAY'S WORLD NATURAL RESOURCES SAVING IS ONE OF THE MAIN POINTS THAT TAKES A HEADLINE IN EACH AND EVERY COUNTRIES' LEADERS.

MEETING, NOT ONLY THAT BUT ALSO HOW TO GO GREENER IN TERMS OF POWER CONSUMPTION IN ALL FIELDS.

## AL ROUF LED LIGHTING

TECHNOLOGY CO. LTD. WAS BORN TO PLAY THE MAIN ROLE IN ENGINEERED LED LIGHTING SOLUTION, OUR WORKING TEAM HAVE DEVELOPED SKILLS. ON DAILY BASIS IN ALL LIGHTING APPLICATION FIELDS SPECIALIZATION IN RETAIL, HOSPITALITY, AND INDUSTRIAL LIGHTINGS GAVE US THE FLAVOR WE HAVE BEEN LOOKING FOR.

BY THAT CONCEPT AND FOLLOWING THIS DREAM, ALROUF HAVE SPENT THE PAST THREE YEARS WORKING WITH THE TOP MANUFACTURES AROUND THE WORLD TO DEVELOP PRODUCTS THAT SUITS THE HARSH ENVIRONMENTAL SITUATION ON SAUDI ARABIA. FROM SMALL SCALE TO LARGE PROJECTS, HIGH & LOW PROFILE. NO MATTER WHAT TYPE, SIZE, LOCATION, AGE, SYSTEM YOU HAVE WE ARE THERE TO HELP YOU BE MORE EFFICIENT.



# Completed Project List







# List of Retail Clients



# Vendor Code

أرامكو السعودية  
saudi aramco



0010056392



103375

مرافق  
MARAFIQ

2000012009

MA'ADEN  
معادن  
Saudi Arabian Mining Company شركة التعدين العربية السعودية

39380

الشركة السعودية للكهرباء  
Saudi Electricity Company

2006100

SIEMENS

DR2434

SANS  
خدمات الملاحة الجوية السعودية  
Saudi Air Navigation Services

1850

سابك  
SABIC

508386



15835

بتروكيما  
petrokemya

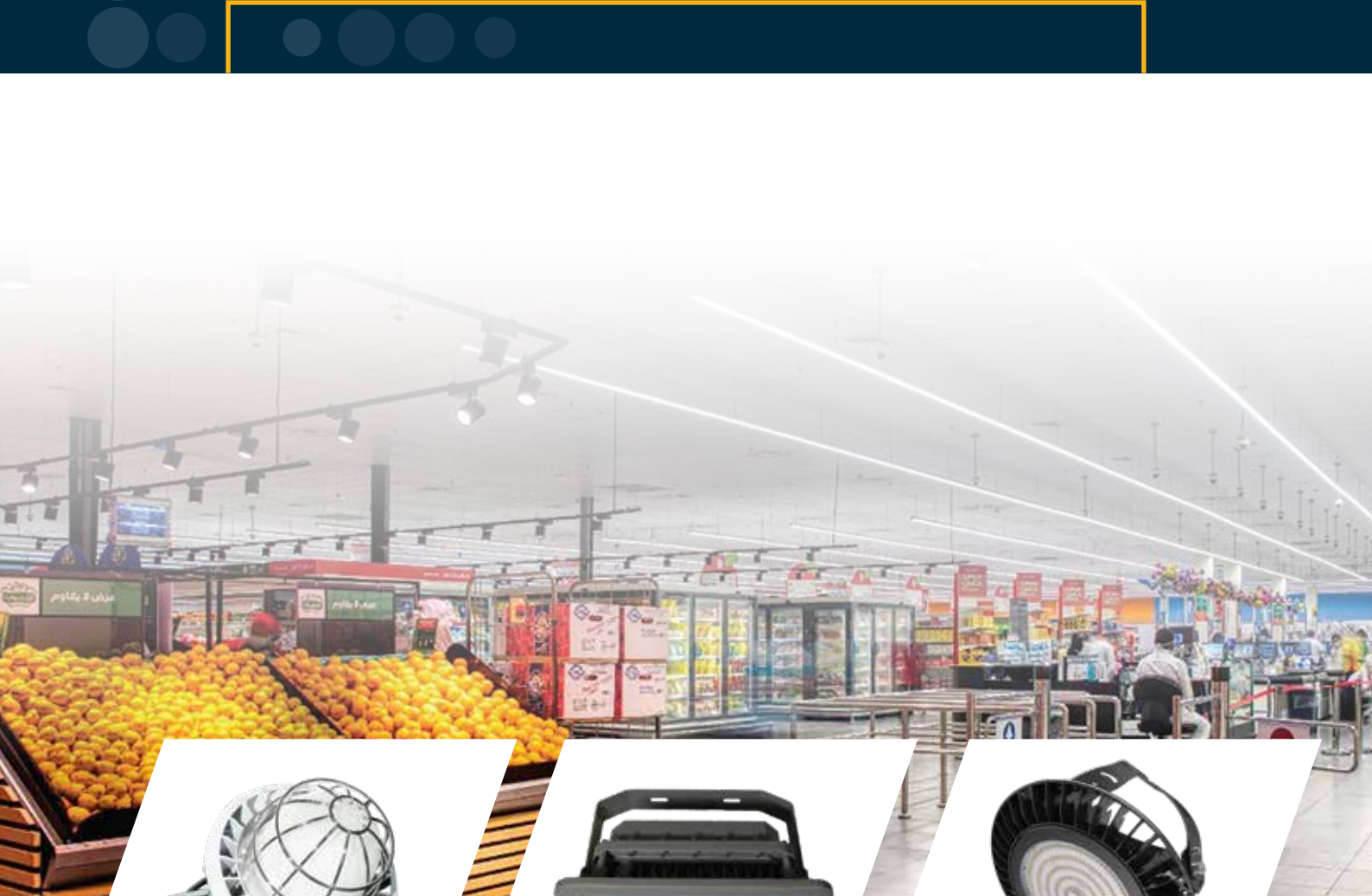
سابك  
SULB COMPANY شركة صلب

حديد  
hadeed

Pando  
شركة بنده للتجزئة  
Panda Retail Company

Zamil  
Air Conditioners

mebco



**alrouf**  
LIGHTING TECHNOLOGY CO.Ltd.



**شركة الروف**  
لتقنية الإنارة المحدودة

**Dammam**

Prince Metib st, Izdhar District  
Alrouf Trading Building  
Tel/Fax :  
966 13 8588556  
sales@alroufled.com

**Jeddah**

Boghdadiyah district,  
behind City max, Hala tower  
( southern tower ) ,  
5th floor, office No 504, Alrouf lighting  
sales@alroufled.com

[www.alroufled.com](http://www.alroufled.com)