



SOLAR AIRCRAFT WARNING LIGHT



Alrouf LED Low Intensity Solar Powered Aircraft Warning Light



ARG-LS/G -SOLAR

Products Description

GS-LS/G Low Intensity Solar Powered Obstruction Light

GS-LS/G low intensity solar powered obstruction light adopts insert solar panel, whose photoelectric conversion efficiency is high to 19% integrated design, cooperate with solar dedicated lithium iron phosphate battery as power supply. Control circuit adopts micro-power consumption single chip microcomputer control chip, which can more precise control the battery's charge and discharge statue. Meanwhile, it can reduce controlling circuit's power consumption. Light source adopts special customized LED chip, which has the specific of high light intensity, low power consumption, long service life and so on. Lampshade adopts PC material, which can corrosion resistance, anti-UV anti-shock. The base adopts marine-grade dedicated plastic material, it can apply to seaways, bridge and chemical plant that have hostile and strong corrosive environment.

Features

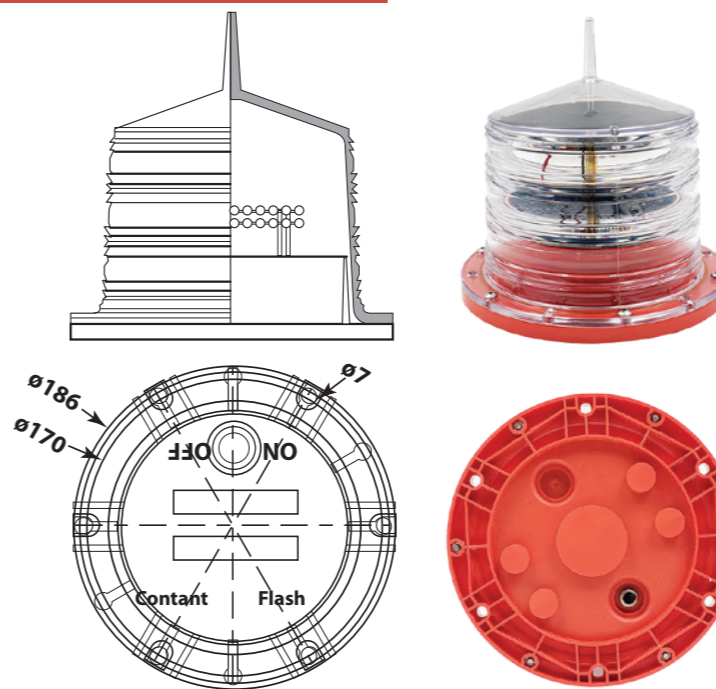
- Continuous working time in rainy day can reach more than 15 days (12 hours a day).
- Photocell can switch ON/OFF the light in rainy days or at night automatically.
- Standardization of optical design, high photoelectric conversion efficiency.
- Adopts high efficient solar chip, photoelectric conversion efficiency is over 19%.
- The integration of the waterproof design, it can work in soaking in sea water, High protection grade IP68.
- Adopts special customized LED chip, transfer efficiency and service life is higher than normal LED.
- Circuit adopts advanced charging and discharging management system, prolong battery's life effectively.
- The lamp extend state switch, it can adjust steady or flashing light working mode base on requirement.
- Provides strong corrosion resistance, lightning resistance, UV resistance, impact resistance.
- The base adopts marine-grade dedicated plastic material, it can apply to seaways, river way, chemical plant and airport that have hostile and strong corrosive environment.
- With anti-bird device.
- No radio frequency (rf), no electromagnetic interference.
- Steady working, low cost.



Specification

Name	Parameter	Name	Parameter
Type	ARG-LS/G -SOLAR	Light Source Life	>100000 hours
Power Provider	Mono-Crystalline Silicon Solar panel	Optional Emitting Light Colors	Red
Battery Capacity	3.2V4AH	Battery Type	Replaceable lithium iron phosphate battery
Battery lifespan	>5years	Solar panel voltage	5.5V
Solar panel Power	2W	Solar panel lifespan	>20years
Consumption	≤2W	Vertical Divergence	>10°
Visual Distance	5km	Horizontal Out-put	360°
FAA Classify	L810	Overall Size(mm)	186mm(D)x190mm(H)
Light Source	LED	Installation Size(mm)	D170mmxM6
Working temperature	-40°C~70°C	Wind-speed Ability	80m/s
Storage temperature	-40°C~70°C	Working mode	Steady light or flash
Sun Switch Illumination Threshold	300LUX±100LUX	Steady Burning Intensity	10cd
Continuous Burning Time in rainy days	>15 days (12 hours/day)	Flashing Intensity	32.5cd
Weight	1kg	IP Protection	IP68

Dimension



Application

Block,
Bridge,
Towers,
Communication tower,
Chimney,
Runway,
Heliport,
Traffic barrier,
Tower cranes

Alrouf LED Low Intensity Solar Powered Aircraft Warning Dual Light



ARG-LS/T-SOLAR

Products Description

ARG-LS/T-SOLAR Low-intensity Solar Powered Dual Aviation Obstruction Light

GS-LS/T Low-intensity Solar Powered Dual Aviation Obstruction Light adopts insert high efficient solar panels integrated design, Control circuit adopts micro-power consumption, which reduce controlling circuit 's power consumption.

Light source adopts high efficient LED chip, which has specific of high light intensity, low power consumption, long service life and so on.

The product base is made of stainless steel integrated that has the specific of light weight and corrosion insistance. It's very convenient for installation and transportation.

Lampshade adopts PC material, which can corrosion resistance, anti-UV anti-shock.

Features

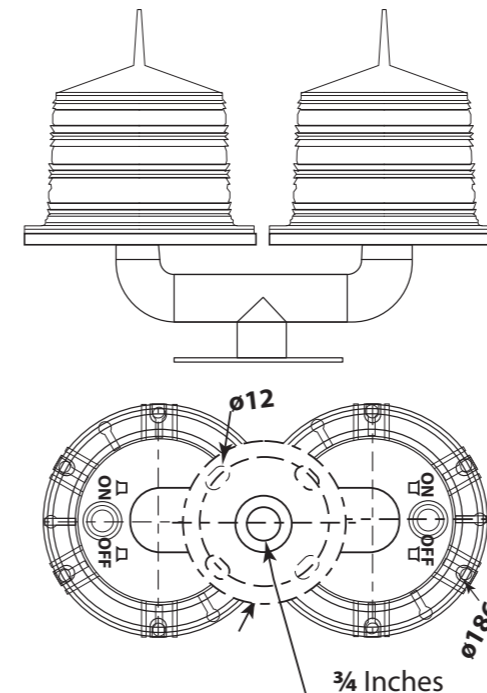
- Continuous working time in rainy day can reach more than 18 days (12 hours a day).
- Photocell can switch ON/OFF the light in rainy days or at night automatically.
- Can customize both lamp flashing synchronously or alternately.
- Standardization of optical design, high photoelectric conversion efficiency.
- Adopts special customized LED chip, transfer efficiency and service life is higher than normal LED.
- Provide ability of lightning protection, light fastness, resist snow and rain.
- Inner adopts replaceable solar lithium iron phosphate battery, whose service life can above 5 years.
- With bird needle to prevent bird drop.
- No radio frequency (rf), no electromagnetic interference.
- Steady working, low cost.



Specification

Name	Parameter	Name	Parameter
Type	ARG-LS/T-SOLAR	Light Source Life	>100000 hours
Power Provider	Mono-Crystalline Silicon Solar panel	Optional Emitting Light Colors	Red
Battery Capacity	3.2V6.6AH	Battery Type	Lithium iron phosphate battery
Battery lifespan	>5years	Solar panel voltage	5.5V
Solar panel Power	4W	Solar panel lifespan	>20years
Consumption	≤0.5W	Vertical Divergence	>3°
Visual Distance	5km	Horizontal Out-put	360°
FAA Classify	L810	Overall Size(mm)	356X186X282
Light Source	LED	Installation Size(mm)	3/4", Pitch circle 100mm 4 M12 holes are distributed
Working temperature	-40°C~70°C	Wind-speed Ability	120m/s
Storage temperature	-40°C~70°C	Working mode	Steady Burning/ Flashing
Sun Switch Illumination Threshold	300LUX±100LUX	Steady Burning Intensity	10cd
Continuous Burning Time in rainy days	>18 days (12 hours/day)	Flashing Intensity	32.5cd
Weight	3kg	IP Protection	IP67

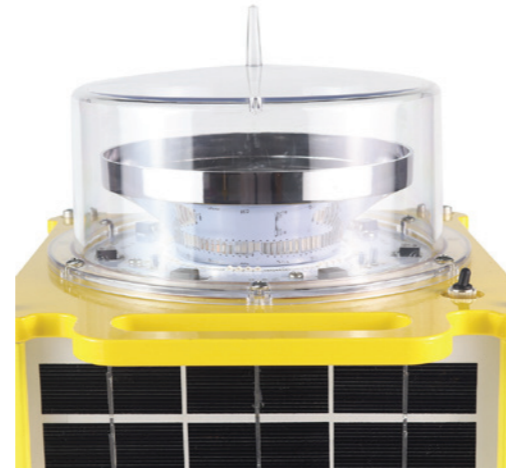
Dimension



Application

Block,
Bridge,
Towers,
Communication tower,
Chimney,
Runway,
Heliport,
Traffic barrier,
Tower cranes

Alrouf LED Medium-intensity Solar Powered Aircraft Warning Light



ARG-MS/A-SOLAR

Products Description

ARG-MS/A-SOLAR Medium-intensity Type A Solar Aviation Obstruction Light

GS-MS/A Medium-intensity Type A Solar Aviation Obstruction Light adopts low-light but high efficient solar panels integrated design, cooperate with solar dedicated lithium iron phosphate battery as power supply. The battery adopts advance power management system, which can provide good protection when battery 's voltage and temperature too high or too low, so it can improve the battery's service life efficiently. Control circuit adopts micro-power consumption, which reduce controlling circuit 's power consumption.

Light source adopts high efficient LED chip, which has specific of high light intensity, low power consumption ,long service life and so on.

The Product's shell adopts portable structure design.It's very convenient for installation and transportation.

Lampshade adopts PC material, which has strong ability of corrosion, anti-UV, anti-shock.

Features

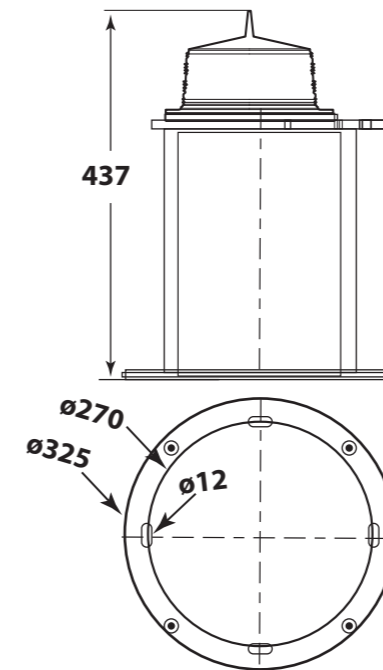
- Continuous working time in rainy day can reach more than 18 days (12 hours a day) .
- Photocell can switch ON/OFF the light in rainy days or at night automatically.
- Can customize both lamp flashing synchronously or alternately.
- Standardization of optical design, high photoelectric conversion efficiency.
- Adopts special customized LED chip,transfer efficiency and service life is higher than normal LED.
- Provide ability of lightning protection, light fastness, resist snow and rain.
- Inner adopts replaceable solar lithium iron phosphate battery, whose service life can above 5 years.



Specification

Name	Parameter	Name	Parameter
Type	ARG-MS/A-SOLAR	Light Source Life	>100000 hours
Power Provider	Mono-Crystalline Silicon Solar panel	Emitting Colors	White
Battery Capacity	12V24AH	Battery Type	Lead acid battery
Battery lifespan	2years	Solar panel voltage	16.5V
Solar panel Power	8Wx4	Solar panel lifespan	>20years
Power Consumption	≤45W	Vertical Divergence	>10°
Visual Distance	40km	Horizontal Out-put	360°
FAA Classify	L865	Overall Size(mm)	325X325X366
Light Source	LED	Installation Size(mm)	270mm×M8
Working temperature	-40°C~50°C	Wind-speed Ability	80m/s
Storage temperature	-40°C~70°C	Working mode	Flashing(40tims/min)
Sun Switch Illumination Threshold	300LUX±100LUX	Light Intensity	2000cd~20000cd (±25%)
Continuous Burning Timein rainy days	>20 days (12 hours/day)	IP Protection	IP65
Weight	18kg		

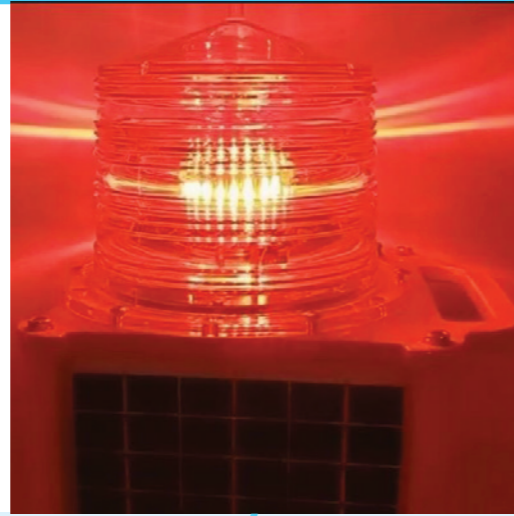
Dimension



Application

Block,
Bridge,
Towers,
Communication tower,
Chimney,
Runway,
Heliport,
Traffic barrier,
Tower cranes

Alrouf LED Medium-intensity Solar Powered Aircraft Warning Light



ARG-MS/B-SOLAR

Products Description

Portable Medium-intensity Type B Solar Aviation Obstruction Light

Portable Medium-intensity Type B Solar Aviation Obstruction Light adopts illuminance but high efficient solar panels integrated design, cooperate with solar dedicated plumbic acid battery as power supply.

The battery adopts advance power management system, which can provide good protection when battery 's voltage and temperature too high or too low, so it can improve the battery's service life efficiently.

Controlling circuit adopts micro-power consumption, which reduce controlling circuit 's power consumption.

Light source adopts high efficient LED chip, which has specific of high Light intensity, low power consumption, long life and so on.

Adopts portable structure design, it's convenient for transportation, especially fit for temporary channel, airport runway.

Lampshade adopt with PC material, which can resist corrosion, anti-UV, anti-shock and so on.

Features

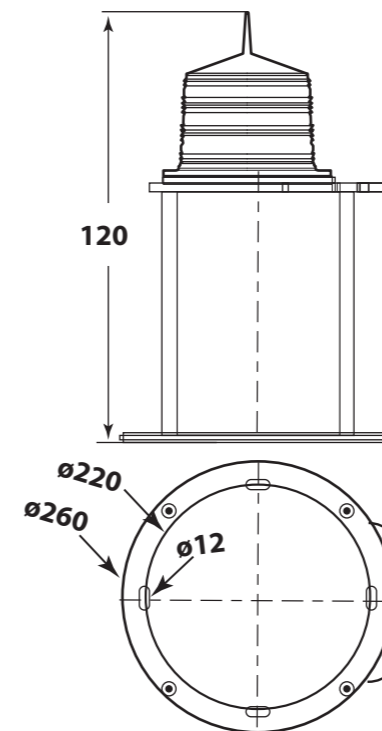
- Continuous working time in rainy day can reach more than 15 days (12 hours a day).
- Photocell can switch ON/OFF the light in rainy days or at night automatically.
- Standardization of optical design, high photoelectric conversion efficiency.
- Special LED chips with brightness, high conversion efficient and long life.
- Provide ability of lightning protection, light fastness, resist snow and rain.
- LED technology, working stable, save cost of maintain.
- Internal use renewable solar dedicated lead-acid battery, service life can reach more than 2 years.
- Can customize lithium iron phosphate battery to improve service life and working temperature range.



Specification

Name	Parameter	Name	Parameter
Type	ARG-MS/B-SOLAR	Light Source Life	>100000 hours
Power Provider	Mono-Crystalline Silicon Solar panel	Emitting Colors	Red
Battery Capacity	12V24AH	Battery Type	Lead acid battery
Solar panel Power	8Wx4	Solar panel voltage	6Wx4
Power Consumption	≤45W	Vertical Divergence	>10°
Visual Distance	40km	Horizontal Out-put	360°
Light Intensity	20000cd (±25%)	Overall Size(mm)	260X260X420(H)
Light Source	LED	Installation Size(mm)	D220mm×M8
Working temperature	-50°C~70°C	Wind-speed Ability	80m/s
Storage temperature	-50°C~70°C	Working mode	Flashing(20tims/min)
Weight	7kg	IP Protection	IP65
Sun Switch Illumination Threshold	300LUX±100LUX	Continuous Burning Timein rainy days	>15 days (12 hours/day)

Dimension



Application

Block,
Bridge,
Towers,
Communication Tower,
Chimney,
Runway,
Heliport,
Traffic Barrier,
Tower Cranes

Alrouf LED Low intensity Type B Aviation Aircraft Warning Double Solar



ARST-LB-SOLAR (TWIN)

Products Description

ARST-LB-SOLAR (TWIN) Double Solar

Low intensity Type B Aviation Obstruction Light-Double Light, its shell adopt high intensity casting aviation aluminum, Light source adopt high efficient SMT LED chip and combine with reflecting optical structure, which have the specific of high brightness and long lifespan; Management circuit with Strong lightning protection and With the surge protection device, which can adopt to extremely bad working environment. Built-in advanced battery management protection module, which can prolong the battery lifespan effectively

Built-in dual light source design, when main light default, it can switch to standby light to work automatically.

Features

- Housing adopt high intensity casting aviation aluminum.
- Built-in dual light source design, when main light default, it can switch to standby light to work automatically.
- Adopt with independent research and development advanced optical lighting system
- Spotlight angle meets CAAC and ICAO requirements.
- With surge protection device, which can adopt to extremely bad working environment.
- Adopt high conversion efficiency monocrystalline silicon chip, its service life is more than 20 years
- With the impact resistance, anti lightning, resistant to sunlight, anti snow, can resist typhoons, hail and other severe weather.
- Built-in independent battery charge and discharge management module, easy maintenance.
- Adopt high safety and long lifespan of lithium iron phosphate battery, whose lifespan is more than 3 times that of ordinary lead-acid battery.
- Remote control and telemetry can be customized.
- Integrated high-power solar panel design, high charging efficiency.



Specification

Performed Standard	CAAC	MH/T 6012-2015 and AC-137-CA-2017	Aviation obstruction light
	ICAO	ICAO Annex 14 Volume I The 8th Edition	Airport design and operation
	FAA	Advisory Circular 150/5345-43J	Specification for Obstruction Lighting Equipment

Model	ARST-LB-SOLAR (TWIN)	Vertical Divergence	>10°
Power supply	Solar power supply	Horizontal Out-put	360
Power frequency	DC supply	Overall Size	300*292*320mm (L*W*H)
Average power	≤2.6W	Installation size	Φ145mm*3*M8
Solar panel power	10W	Battery power	12.8V14AH
Working mode	Steady Light	Ambient Temperature	-40°C~+55°C
Emitted color	Red LED		
Light source	Aviation dedicated	Weight	≈3.2KG
Shell material	Aluminum alloy	Wind load	240km/h
Light source	≥200000h	Luminous mirror material	optical PC
Surge Protection Grade	3KA		
Get wet in the rain	Can be exposed to rain in any wind direction	Relative humidity	0%~95%
		Salt spray	Can be exposed to salt spray
Radiation	Can be exposed to solar radiation	Insulation characteristic	/
Seismic resistance	10~500Hz,2G10min/cycle, XYZ 60 minutes for each axis	EMC standards	Emitted:EN55022(CISPR2 2) class A harmonic wave: EN61000-3-2,-3
		Altitude	≥2500m
Mean Time Between Failure	≥200000h, MIL-HDBK-217F(25°C)	Effective intensity	night : 32.5cd
		Photocell stage	50/100Lux

Application

Block,, Airport, High-Pole Lamp, Chimney, Bridge, Towers, Communication Tower, Super High Building

AlroufLED

Type B Aviation Aircraft Warning Single Light



ARST-LB-SOLAR (SINGLE)

Products Description

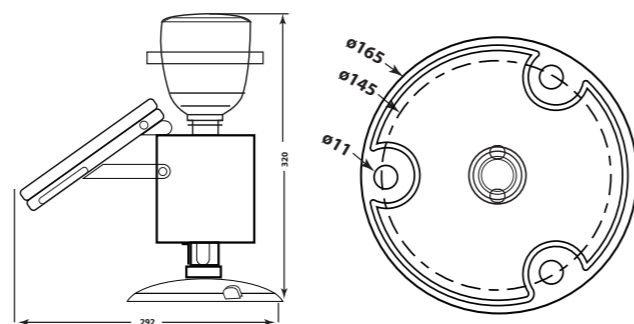
Low intensity Type B Aviation Obstruction Light-Single Light

Low intensity Type B Aviation Obstruction Light-Single Light, its shell adopt high intensity casting aviation aluminum, Light source adopt high efficient SMT LED chip and combine with reflecting optical structure, which have the specific of high brightness and long lifespan; Management circuit with Strong lightning protection and With the surge protection device, which can adopt to extremely bad working environment. Built-in advanced battery management protection module, which can prolong the battery lifespan effectively

Features

- Housing adopt high intensity casting aviation aluminum.
- Built-in dual light source design, when main light default, it can switch to standby light to work automatically.
- Adopt with independent research and development advanced optical lighting system
- Spotlight angle meets CAAC and ICAO requirements.
- With surge protection device, which can adopt to extremely bad working environment.
- Adopt high conversion efficiency monocrystalline silicon chip, its service life is more than 20 years
- With the impact resistance, anti lightning, resistant to sunlight, anti snow, can resist typhoons, hail and other severe weather.
- Integrated high-power solar panel design, high charging efficiency.
- Built-in independent battery charge and discharge management module, easy maintenance.
- Adopt high safety and long lifespan of lithium iron phosphate battery, whose lifespan is more than 3 times that of ordinary lead-acid battery.
- Remote control and telemetry can be customized.

Dimension



Specification

Performed Standard	CAAC	MH/T 6012-2015 and AC-137-CA-2017	Aviation obstruction light
	ICAO	ICAO Annex 14 Volume I The 8th Edition	Airport design and operation
	FAA	Advisory Circular 150/5345-43J	Specification for Obstruction Lighting Equipment

Model	ARST-LB-SOLAR (SINGLE)	Vertical Divergence	>10°
Power supply	Solar power supply	Horizontal Out-put	360
Power frequency	DC supply	Overall Size	300*292*320mm (L*W*H)
Average power	≤2.6W	Installation size	Φ145mm*3*M8
Solar panel power	10W	Battery power	12.8V14AH
Working mode	Steady Light	Ambient Temperature	-40°C~+55°C
Emitted color	Red		
Light source	LED	Weight	≈3.2KG
Shell material	Aviation dedicated Aluminum alloy	Wind load	240km/h
		Luminous mirror material	optical PC
Light source lifespan	≥200000h	Protection grade	IP65
Surge Protection Grade	3KA	Relative humidity	0%~95%
Get wet in the rain	Can be exposed to rain in any wind direction	Salt spray	Can be exposed to salt spray
		Insulation characteristic	/
Radiation	Can be exposed to solar radiation	EMC standards	Emitted:EN55022(CISPR22) class A harmonic wave: EN61000-3-2,-3
Seismic resistance	10~500Hz,2G10min/cycle, XYZ 60 minutes for each axis		
Mean Time Between Failure	≥200000h, MIL-HDBK-217F(25°C)	Effective intensity	night : 32.5cd
		Photocell stage	50/100Lux

Application

Block,, Airport, High-Pole Lamp, Chimney, Bridge, Towers, Communication Tower, Super High Building

Alrouf

ART-MA-01 (L)

**Solar Power
Medium intensity Type A Aviation
Obstruction Light**



ART-MA-01 (L) SOLAR POWER

Products Description

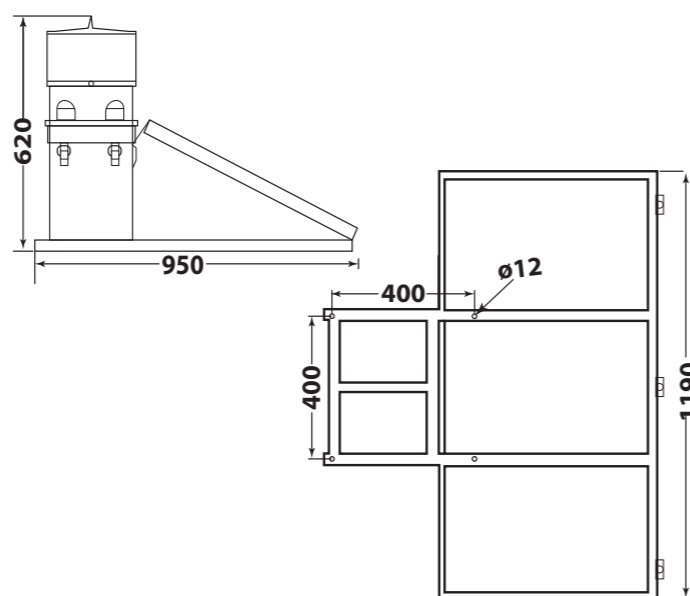
type A Medium-intensity solar power aviation obstruction light

TX-MA-01(L) type A Medium-intensity solar power aviation obstruction light, its shell adopt high intensity casting aviation aluminum, Light source adopt high efficient SMT LED chip and combine three layers overlay reflective optical structure, which have the specific of high brightness and long lifespan; Management circuit with Strong lightning protection and With the surge protection device, which can adopt to extremely bad working environment.

Features

- Housing adopt high intensity casting aviation aluminum.
- It can be customized functions of GPS Beidou wireless synchronization, LORA-10KM wireless sync, Remote control and telemetering.
- Advanced energy-saving technology, overall power consumption $\leq 11W$.
- User can choose integrate type or split type of solar power system according to site requirement.
- Adopt high power chip LED chip, with specific of high brightness, low energy consumption, long life and so on.
- With three layers overlay reflective optical system
- Spotlight angle meets CAAC and ICAO requirements.
- With surge protection device, which can adopt to extremely bad working environment.
- Adopt high conversion efficiency monocrystalline silicon chip, its service life is more than 20 years
- With the impact resistance, anti lightning, resistant to sunlight, anti snow, can resist typhoons, hail and other severe weather.
- Built-in independent battery charge and discharge management module, easy maintenance.

Dimension



Specification

Performed Standard	CAAC	MH/T 6012-2015 and AC-137-CA-2017	Aviation obstruction light
	ICAO	ICAO Annex 14 Volume I The 8th Edition	Airport design and operation
	FAA	Advisory Circular 150/5345-43J	Specification for Obstruction Lighting Equipment

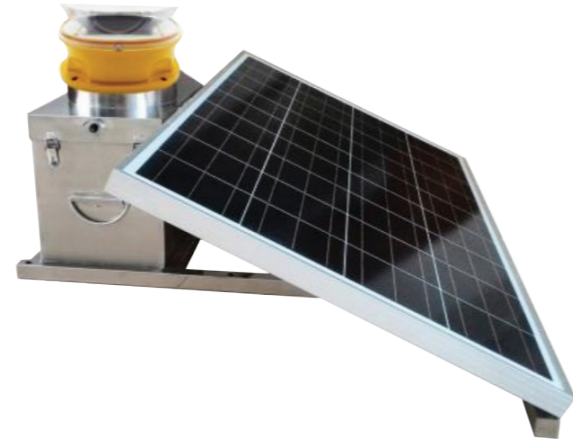
Model	ART-MA-01 (L)	Vertical Divergence	$>10^\circ$
Power supply	Solar power supply	Horizontal Out-put	360
Power frequency	DC supply	Overall Size	1190mm*950mm*620mm (L*W*H)
Average power	$\leq 11W$	Installation size	400mm*400mm*M10
Solar panel power	120W	Battery power	3120WH
Working mode	Flash 20-60times/min	Ambient Temperature	$-40^\circ C \sim +55^\circ C$
Emitted color	White		
Light source	LED	Weight	$\approx 62KG$
Shell material	Aviation dedicated Aluminum alloy	Wind load	240km/h
		Luminous mirror material	optical PC
Light source lifespan	$\geq 200000h$	Protection grade	IP65
Surge Protection Grade	3KA	Relative humidity	$0\% \sim 95\%$
Get wet in the rain	Can be exposed to rain in any wind direction	Salt spray	Can be exposed to salt spray
		Leakage current	/
Radiation	Can be exposed to solar radiation	EMC standards	Emitted:EN55022(CISPR22) class A harmonic wave: EN61000-3-2,-3
Seismic resistance	10~500Hz,2G10min/cycle, XYZ 60 minutes for each axis	Altitude	$\geq 5000m$
		Effective intensity	Night : 2000 cd,daytime: 20000 cd
Mean Time Between Failure	$\geq 200000h$, MIL-HDBK-217F(25°C)	Photocell stage	50/100Lux

Application

Block,, Airport, High-Pole Lamp, Chimney, Bridge, Towers, Communication Tower, Super High Building

AlroufLED

Solar Power Medium intensity Type A Aviation Obstruction Light



ART-MB-01(L) SOLAR POWER

Products Description

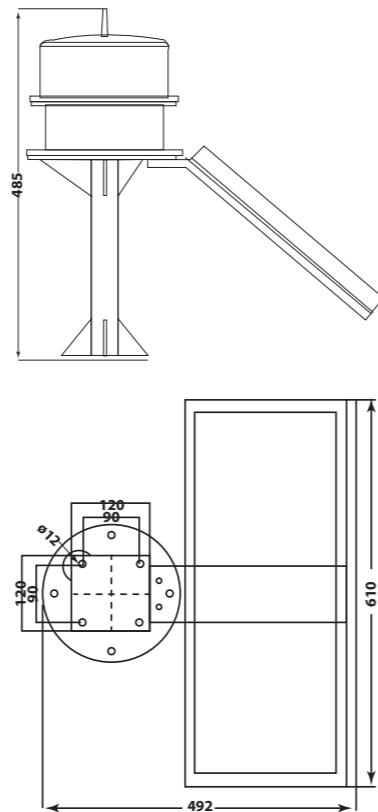
Type B Medium-intensity Solar Power

TX-MB-01(L) type B Medium-intensity Solar Power Aviation Obstruction Dual Light, its shell adopt high intensity casting aviation aluminum, Light source adopt high efficient SMT LED chip and combine with reflecting optical structure, which have the specific of high brightness and long lifespan; Management circuit with Strong lightning protection and With the surge protection device, which can adopt to extremely bad working environment. Built-in advanced battery management protection module, which can prolong the battery lifespan Effectively Built-in dual light source design, when the main light source failure, it will switch to the standby light source automatically

Features

- Housing adopt high intensity casting aviation aluminum.
- Adopt with independent research and development advanced optical lighting system. Spotlight angle meets CAAC and ICAO requirements.
- With surge protection device, which can adopt to extremely bad working environment.
- Adopt high conversion efficiency monocrystalline silicon chip, its service life is more than 20 years
- With the impact resistance, anti lightning, resistant to sunlight, anti snow, can resist typhoons, hail and other severe weather.
- Built-in independent battery charge and discharge management module, easy maintenance.
- It can be customized functions of GPS Beidou wireless synchronization, LORA-10KM wireless sync, Remote control and telemetering.
- Integrated high-power solar panel design, high charging efficiency.

Dimension



Specification

Performed Standard	CAAC	MH/T 6012-2015 and AC-137-CA-2017	Aviation obstruction light
	ICAO	ICAO Annex 14 Volume I The 8th Edition	Airport design and operation
	FAA	Advisory Circular 150/5345-43J	Specification for Obstruction Lighting Equipment

Model	ART-MB-01(L)	Vertical Divergence	3°
Power supply	Solar power supply	Horizontal Out-put	360
Power frequency	DC supply	Overall Size	610×492×485mm
Average power	≤2.5W	Installation size	∅90mm*4*M8
Solar panel power	35W	Battery power	192WH
Working mode	Flash 20 times/min	Ambient Temperature	-40°C~+55°C
Emitted color	Red		
Light source	LED	Weight	≈7.4kg
Shell material	Aviation dedicated Aluminum alloy	Wind load	240km/h
		Luminous mirror material	optical PC
Light source lifespan	≥200000h	Protection grade	IP65
Surge Protection Grade	-	Relative humidity	0%~95%
		Salt spray	Can be exposed to salt spray
Get wet in the rain	Can be exposed to rain in any wind direction	Leakage current	/
Radiation	Can be exposed to solar radiation	EMC standards	Emitted:EN55022(CISPR22) class A harmonic wave: EN61000-3-2,-3
Seismic resistance	10~500Hz,2G10min/cycle, XYZ 60 minutes for each axis		
Mean Time Between Failure	≥200000h, MIL-HDBK-217F(25°C)	Effective intensity	Night :2000cd (±25%)
		Photocell stage	50/100Lux

Application

Block,, Airport, High-Pole Lamp, Chimney, Bridge, Towers, Communication Tower, Super High Building

Alrouf LED

Solar Twin Light Medium intensity Type B Aviation Obstruction Light



SOLAR TWIN LIGHT

Products Description

Solar Twin Light Medium intensity Type B

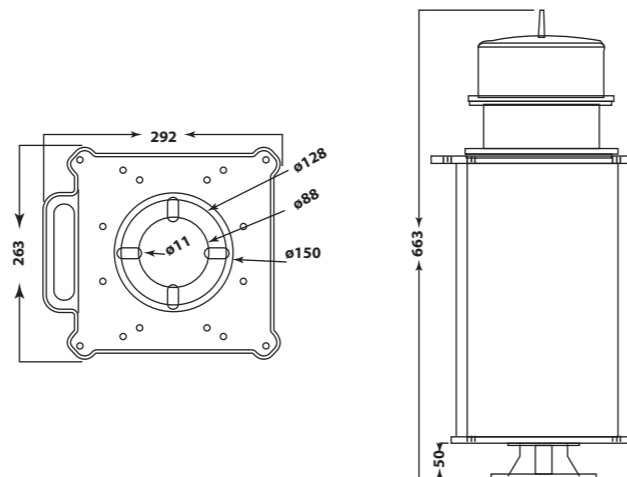
TX-MB-01(L) type B Medium-intensity Solar Power Aviation Obstruction Light, its shell adopt high intensity casting aviation aluminum, Adaptive range $\phi 88 \sim 128\text{mm}$ of installation size. Light source adopt high efficient SMT LED chip and combine with reflecting optical structure, which have the specific of high brightness and long lifespan; Management circuit with Strong lightning protection and With the surge protection device, which can adopt to extremely bad working environment. Built-in advanced battery management protection module, which can prolong the battery lifespan effectively Built-in dual light source design, when main light default, it can switch to standby light to work automatically.

Features

- Housing adopt high intensity casting aviation aluminum.
- Adopt high power SMT LED chip, which have the specific of high brightness, low power consumption and long long lifespan.
- Adopt with independent research and development advanced optical lighting system
- Spotlight angle meets CAAC and ICAO requirements.
- With surge protection device, which can adopt to extremely bad working environment.
- Adopt high conversion efficiency monocrystalline silicon chip, its service life is more than 20 years
- With the impact resistance, anti lightning, resistant to sunlight, anti snow, can resist typhoons, hail and other severe weather.
- 4pcs high-power solar panel design, high charging efficiency.

- Built-in independent battery charge and discharge management module, easy maintenance.
- It can be customized functions of GPS Beidou wireless synchronization, LORA-10KM wireless sync, Remote control and telemetering.

Dimension



Specification

Performed Standard	CAAC	MH/T 6012-2015 and AC-137-CA-2017	Aviation obstruction light
	ICAO	ICAO Annex 14 Volume I The 8th Edition	Airport design and operation
	FAA	Advisory Circular 150/5345-43J	Specification for Obstruction Lighting Equipment

Model	ART-MB-01(SL)	Vertical Divergence	3°
Power supply	Solar power supply	Horizontal Out-put	360
Power frequency	DC supply	Insulation characteristic	/
Average power	≤2.5W	Installation size	Φ90mm*4*M8
Solar panel power	4x14W	Battery power	192WH
Working mode	Flash 20-60times/min	Ambient Temperature	-40°C~+55°C
Emitted color	Red		
Light source	LED	Weight	≈25kg include solar system
Shell material	Aviation dedicated Aluminum alloy	Wind load	240km/h
		Luminous mirror material	optical PC
Light source lifespan	≥200000h	Protection grade	IP65
Anti urge Protection rating	3KA	Relative humidity	0%~95%
Get wet in the rain	Can be exposed to rain in any wind direction	Salt spray	Can be exposed to salt spray
		Overall Size	Not include solar system: 215*215*204mm (L*W*H) Include solar system : 292*263*663(L*W*H)
Radiation	Can be exposed to solar radiation	EMC standards	Emitted:EN55022(CISPR22) class A harmonic wave: EN61000-3-2,-3
Seismic resistance	10~500Hz,2G10min/cycle, XYZ 60 minutes for each axis	Altitude	≥2500m
		Effective intensity	night : 2000cd
Mean Time Between Failure	≥200000h, MIL-HDBK-217F(25°C)	Photocell stage	50/100Lux

Application

Block,, Airport, High-Pole Lamp, Chimney, Bridge, Towers, Communication Tower, Super High Building

Alrouf LED

Solar Power Medium intensity Type B Aviation Obstruction Light ART-MB-01(SL) SOLAR POWER



Products Description

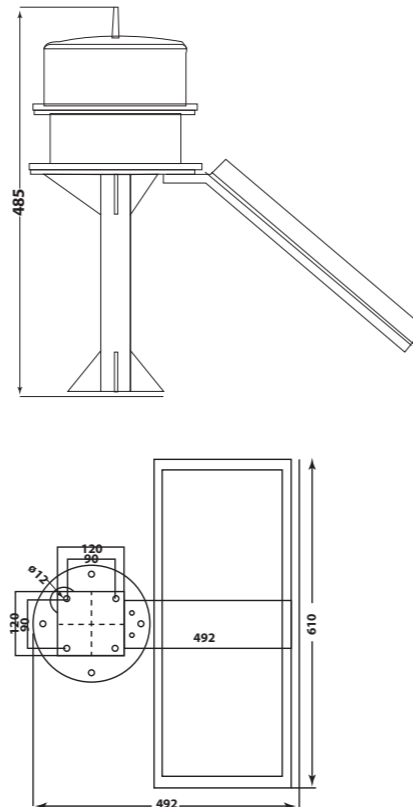
Solar Power Medium intensity Type B

TX-MB-01(L) type B Medium-intensity solar power aviation obstruction light, its shell adopt high intensity casting aviation aluminum, Light source adopt high efficient SMT LED chip and combine with reflecting optical structure, which have the specific of high brightness and long lifespan; Management circuit with Strong lightning protection and With the surge protection device, which can adopt to extremely bad working environment. Built-in advanced battery management protection module, which can prolong the battery lifespan effectively

Features

- Housing adopt high intensity casting aviation aluminum.
- Adopt with independent research and development advanced optical lighting system Spotlight angle meets CAAC and ICAO requirements.
- With surge protection device, which can adopt to extremely bad working environment.
- Adopt high conversion efficiency monocrystalline silicon chip, its service life is more than 20 years
- With the impact resistance, anti lightning, resistant to sunlight, anti snow, can resist typhoons, hail and other severe weather.
- Built-in independent battery charge and discharge management module, easy maintenance.
- It can be customized functions of GPS Beidou wireless synchronization LORA-10KM wireless sync, Remote control and telemetering.
- Integrated high-power solar panel design, high charging efficiency.

Dimension



Specification

Performed Standard	CAAC	MH/T 6012-2015 and AC-137-CA-2017	Aviation obstruction light
	ICAO	ICAO Annex 14 Volume I The 8th Edition	Airport design and operation
	FAA	Advisory Circular 150/5345-43J	Specification for Obstruction Lighting Equipment

Model	ART-MB-01(SL)	Vertical Divergence	3°
Power supply	Solar power supply	Horizontal Out-put	360
Power frequency	DC supply	Overall Size	610*492*485mm (L*W*H)
Average power	≤2.5W	Installation size	Φ90mm*4*M8
Solar panel power	35W	Battery power	192WH
Working mode	Flash 20-60times/min	Ambient Temperature	-40°C~+55°C
Emitted color	Red		
Light source	LED	Weight	≈7.2kg
Shell material	Aviation dedicated Aluminum alloy	Wind load	240km/h
		Luminous mirror material	optical PC
Light source lifespan	≥200000h	Protection grade	IP65
Insulation Characteristic	/		
Get wet in the rain	Can be exposed to rain in any wind direction	Relative humidity	0%~95%
		Salt spray	Can be exposed to salt spray
Radiation	Can be exposed to solar radiation	Battery type	Lithium iron phosphate battery
Seismic resistance	10~500Hz,2G10min/cycle, XYZ 60 minutes for each axis	EMC standards	Emitted:EN55022(CISPR22) class A harmonic wave: EN61000-3-2,-3
		Altitude	≥5500m
Mean Time Between Failure	≥200000h, MIL-HDBK-217F(25°C)	Effective intensity	night : 2000cd,default ≥1600cd
		Photocell stage	50/100Lux

Application

Block,, Airport, High-Pole Lamp, Chimney, Bridge, Towers, Communication Tower, Super High Building

Alrouf LED

Solar Power Medium intensity Aviation Obstruction Light ART-MB-01 (SL) SOLAR POWER



Products Description

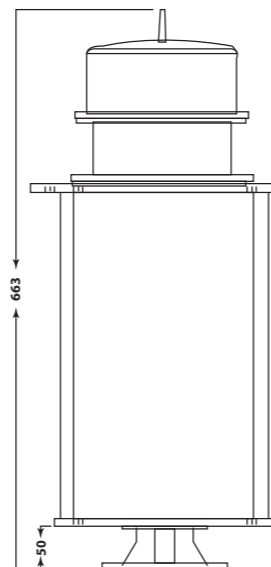
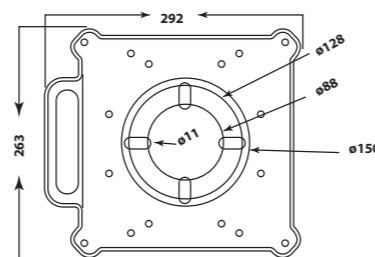
Solar Power Medium intensity Type B

TX-MB-01(L) type B Medium-intensity solar power aviation obstruction light, its shell adopt high intensity casting aviation aluminum, Adaptive range $\phi 88 \sim 128\text{mm}$ of installation size. Light source adopt high efficient SMT LED chip and combine with reflecting optical structure, which have the specific of high brightness and long lifespan; Management circuit with Strong lightning protection and With the surge protection device, which can adopt to extremely bad working environment. Built-in advanced battery management protection module, which can prolong the battery lifespan effectively

Features

- Housing adopt high intensity casting aviation aluminum.
- Adopt high power SMT LED chip, which have the specific of high brightness, low power consumption and long long lifespan.
- Adopt with independent research and development advanced optical lighting system
- Spotlight angle meets CAAC and ICAO requirements.
- With surge protection device, which can adopt to extremely bad working environment.
- Adopt high conversion efficiency monocrystalline silicon chip, its service life is more than 20 years
- With the impact resistance, anti lightning, resistant to sunlight, anti snow, can resist typhoons, hail and other severe weather.
- Built-in independent battery charge and discharge management module, easy maintenance.
- It can be customized functions of GPS Beidou wireless synchronization, LORA-10KM wireless sync, Remote control and telemetering.
- 4pcs high-power solar panel design, high charging efficiency.

Dimension



Specification

Performed Standard	CAAC	MH/T 6012-2015 and AC-137-CA-2017	Aviation obstruction light
	ICAO	ICAO Annex 14 Volume I The 8th Edition	Airport design and operation
	FAA	Advisory Circular 150/5345-43J	Specification for Obstruction Lighting Equipment

Model	ART-MB-01 (SL)	Vertical Divergence	3°
Power supply	Solar power supply	Horizontal Out-put	360
Power frequency	DC supply	Insulation characteristic	/
Average power	≤2.5W	Installation size	Φ88~128mm*4*M8
Solar panel power	4x14W	Battery power	/
Working mode	Flash 20-60times/min	Ambient Temperature	-40°C~+55°C
Emitted color	Red		
Light source	LED	Weight	≈20kg
Shell material	Aviation dedicated Aluminum alloy	Wind load	240km/h
		Luminous mirror material	optical PC
Light source lifespan	≥200000h	Protection grade	IP65
Anti urge Protection rating	3KA		
Get wet in the rain	Can be exposed to rain in any wind direction	Relative humidity	0%~95%
		Salt spray	Can be exposed to salt spray
Radiation	Can be exposed to solar radiation	Overall Size	Not include solar system: 215*215*204mm (L*W*H) Include solar system : 292*263*663(L*W*H)
Seismic resistance	10~500Hz,2G10min/cycle, XYZ 60 minutes for each axis	EMC standards	Emitted:EN55022(CISPR22) class A harmonic wave: EN61000-3-2,-3
		Altitude	≥2500m
Mean Time Between Failure	≥200000h, MIL-HDBK-217F(25°C)	Effective intensity	night : 2000cd
		Photocell stage	50/100Lux

Application

Block,, Airport, High-Pole Lamp, Chimney, Bridge, Towers, Communication Tower, Super High Building



alrouf
LIGHTING TECHNOLOGY CO. LTD.



شركة الروف
لتقنية الإنارة المحدودة

Dammam

Prince Metib st, Izdhar District
Alrouf Trading Building
Tel/Fax : 966 13 8588556
sales@alroufled.com

Jeddah

Commercial center for
Dr. Hassan Nasr, Baladiyah St.,
Al Aziziyah.
Tel : +966-56 472 7973