

الروف
LIGHTING TECHNOLOGY CO. Ltd.



شركة الروف
لتقنية الإنارة للحدودة



Alrouf Helideck / Helipad Navigation Light

ARG-HP/B1

ISO 9001-2015 QMS
ISO 45001:2018 HSE

www.alroufled.com

ARG-HP/B1 Heliport beacon light

Its base is cast by high intensity aviation aluminum with fully sealed structure. Light source adapts high efficient CREE chip and cooperate with condensing lens that owned independent research and developing patent, service life up to 20 years, offer high light intensity, long service life and other characteristics. Lamp shade adopts PC, which has strong corrosion resistance, anti-UV, anti-shock. Controlling circuit has strong ability of lightning protection and with anti-surge protection device, it can adapt to extremely bad working environment. This light emits white color signal at night or dim day, indicate the location of helipad clearly.



Features

- Shell adopts high intensity aviation aluminum to cast, with full-seal structure.
- With CREE chip, which has the features high light intensity, low power consumption, long service life.
- Independent designed patent condensing lens, the field angle follow the standard of IAA, ICAO.
- Lamp shade adopts tempered PC material, which has strong ability of corrosion, anti-UV, anti-shock.
- With anti-surge protection device, it can adapt to extremely bad working environment.
- Adopts advanced stoving varnish technology, providing excellent heat dispersion. it can reduce the volume and weight of the light.
- Offer anti-shock, lightning protection, light fastness, rain and snow resistance functions.
- With over-current protection function.

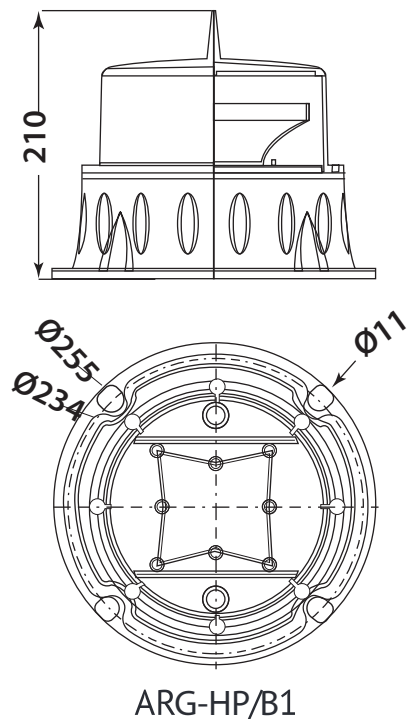




Specification

Name	Parameter
Model	ARG-HP/B1
Power Voltage	AC180V~264V
Frequency	50HZ~60HZ
Power Consumption	≤20W
Working mode	Flashing 4times/2S
Optional Emitting Light Colors	White
Service Life of the Light Source	≥10years
Overall Size(mm)	255 x 255 x 210(mm)
Installation size	234mm x M8
IP Protection	IP67
Ambient Temperature	-55°C~85°C
Net Weight	3.8KG
Anti-Wind Ability	80m/s

Dimension





الرفوف
LIGHTING TECHNOLOGY CO., Ltd.



شركة الرفوف
لتقنية الإنارة المحدودة

Dammam

Prince Metib st, Izdhar District
Alrouf Trading Building
Tel/Fax : 966 13 8588556
sales@alroufled.com

Jeddah

Commercial center for
Dr. Hassan Nasr, Baladiyah St.,
Al Aziziyah.
Tel : +966-56 472 7973