



# ALROUF EX PROOF FLOOD LIGHT A SERIES





## Applications

### Oil and Gas Industry

- All petroleum production and refining
- Petroleum loading and transportation
- Petroleum storage and retail
- LNG industry
- All mining operations and service

### Chemical Industry

- All types of paint facilities
- Chemical production and storage Ocean, marine and aerospace field
- Ocean platform operation facilities and structure
- Aerospace clean room and production
- Ocean vessel operations

### Metal Treatment

- Steel and aluminum factories
- Pumping stations in any environment
- Metal smelting, foundry and fabrication

### Food and Alcohol Industry

- Flour and fine particle production and storage
- Food and distilling production
- Alcohol industry



**Other high humidity, high dust, high temperature, vapor locations**

## Explosion Protection

### Marking ATEX

- II 3 G Ex ec IIC T3 Gc
- II 2 D Ex tb IIIC T103°C Db IP66
- II 2 G Ex mb eb IIC T5/T6 Gb
- II 2 D Ex tb IIIC T100°C /T80°C Db IP66

### Marking IECEx

- Ex ec IIC T3 Gc
- Ex tb IIIC T100°C Db IP66
- Ex mb eb IIC T5/T6 Gb
- Ex tb IIIC T100°C /T80°C Db IP66

### Marking UL844 (North American)

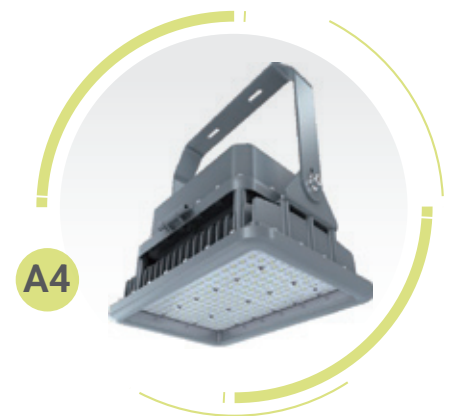
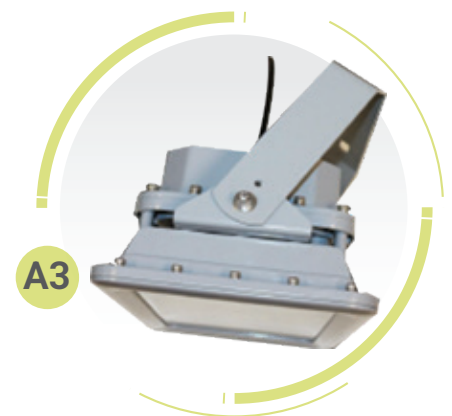
- Class I, Division 2, Groups A, B, C, D
- Class II, Division 1, Groups E, F, G
- Class II, Division 2, Groups F, G
- Class III

### Marine Marking

- UL 1598A
- ABS
- Other Rating IP 66

### Materials

- Housing: Aluminum
- Lens: Tempered glass
- Hardware: Stainless Steel
- Mounting Bracket: Stainless Steel



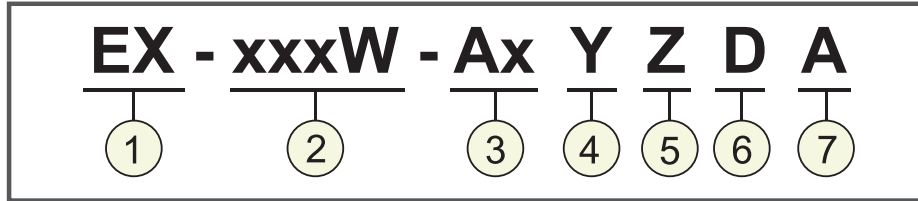
## Certification



### Packing Information

Model	Quantity/ Carton	Length(cm)	Width(cm)	Height(cm)	Net Weight(kg)	Gross Weight(kg)
A	1	37.5	34	21.5	6.95	7.9
A2	1	36.5	27	30.5	4.15	5.3
A3	1	48.5	34	36.5	8.3	10.3
A4	1	47	35	40	15.1	17

## Ordering Information



**1 PRODUCT CATEGORY**  
◆ Explosion proof light

**2 WATTAGE**  
◆ From 2200K to 7000K

**3 PRODUCT SERIES**  
◆ A    A2    A3    A4

**4 DIMMING OPTION**  
◆ D= dimmable  
◆ N= Non-dimmable

**5 CCT**  
◆ From 2200K to 7000K  
◆ 22=2200K, 30=3000K, ..., 70=7000K

**6 BEAM ANGLE**  
◆ D40= 40°  
◆ D60= 60°

**7 GLASS TYPE**  
◆ A=blank: Flat glass  
◆ A=C: Spherical glass

### Specification

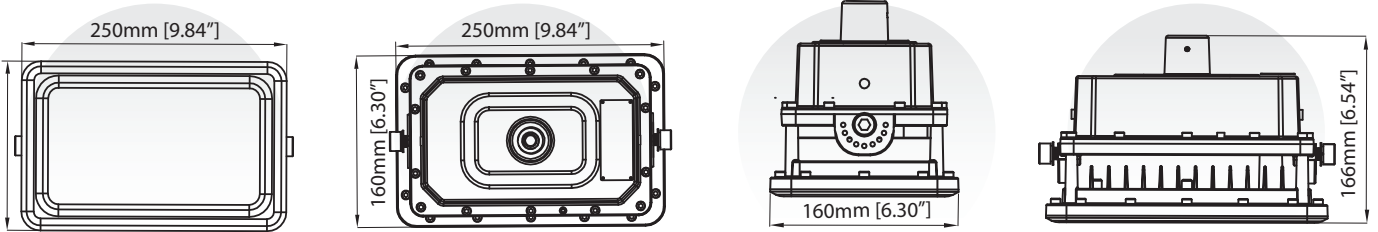
Product Number	Wattage	Color Temperature	Voltage	Lumens	Warranty	CRI
EX-20W A2N50D120	20	2200K-7000K	AC100-277V or AC200-250V or AC200-480V	2800	5 years	>70 or >80
EX-40W A2N50D120	40			5600		
EX-60W A2N50D120	60			8400		
EX-70W AN50D120	70			9800		
EX-80W AN50D120	80		11200			
EX-100W AN50D120	100		14000			
EX-150W A3N50D120	150		21000	AC100-277V or AC200-250V or AC200-480V		
EX-160W A3N50D120	160		22400			
EX-180W A3N50D120	180		25200			
EX-200W A3N50D120	200		28000			
EX-150W A4N50D120	150		21000	AC100-277V or AC200-250V or AC200-480V		
EX-180W A4N50D120	180		25200			
EX-200W A4N50D120	200		28000			
EX-250W A4N50D120	250		35000			
EX-300W A4N50D120	300		42000			
EX-400W A4N50D120	400		56000			

# Dimension

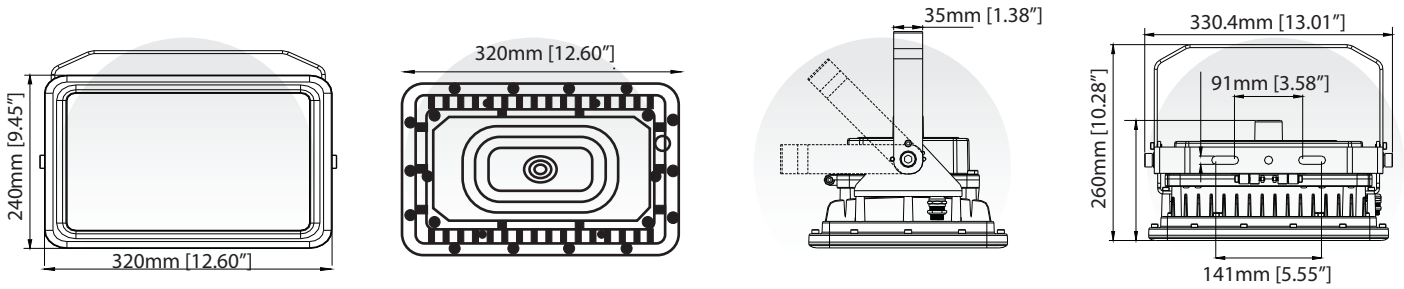
These structure type with bracket, flat glass and optics lens generates 40°, 60°, 90° and 120° light distribution.

## A2 Series

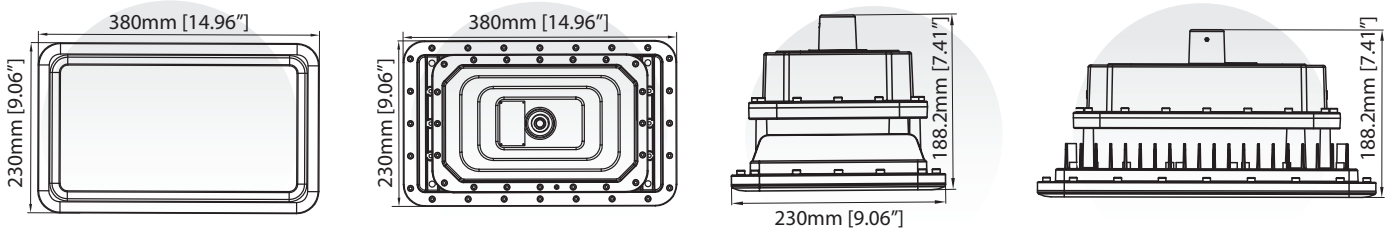
Unit: mm or inch



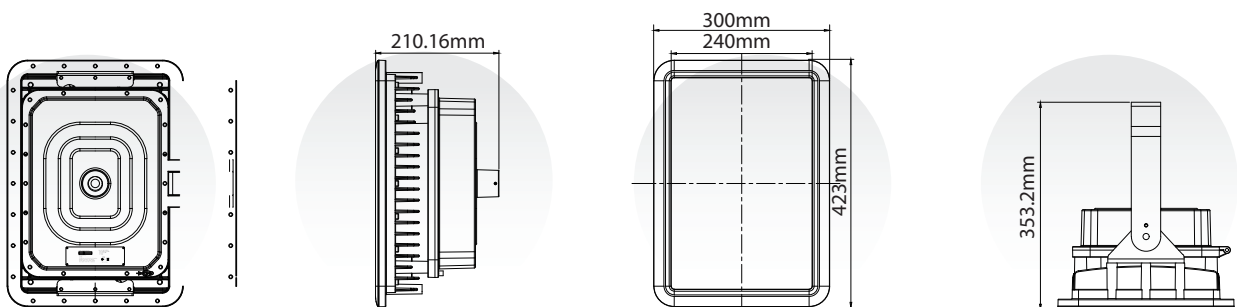
## A Series



## A3 Series

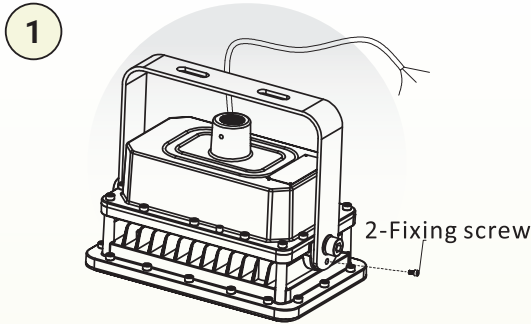


## A4 Series

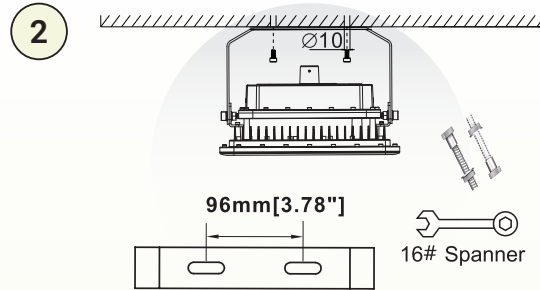




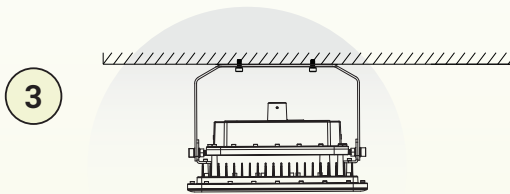
## Ceiling Mounting



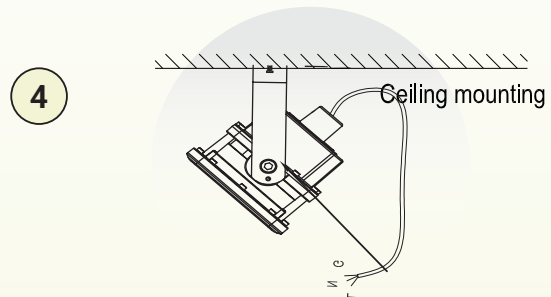
2. Install and tighten flexible metal conduit with the fixture



3. Drill 2x hole as shown in Fig.2, the distance can be 91~140mm, fixing  $\varnothing 10$  expanded crews and bracket on ceiling.

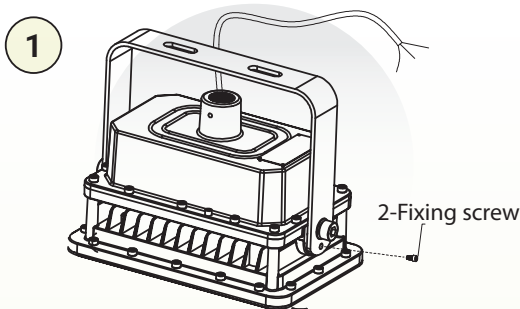


4. Connect black cable to L, connect white cable to N, connect green cable to grounding.

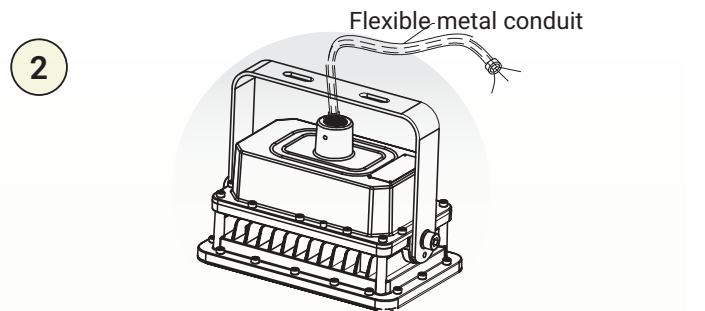


5. Adjust the beam angle from 0-180°

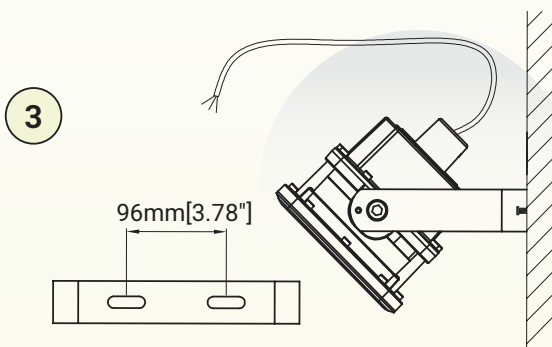
## Wall Mounting



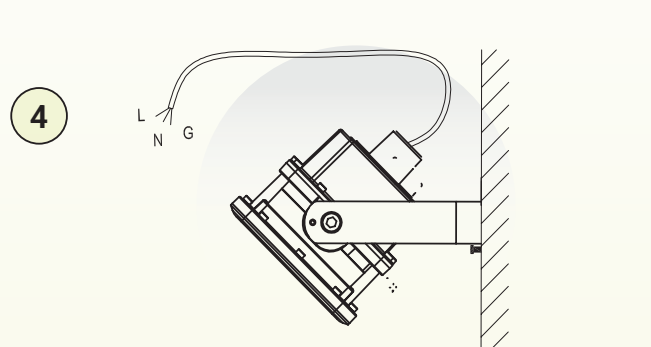
1. Take the fixture and accessory out from carton box, tighten 2x angle holder screw as Fig.1.



2. Install and tighten flexible metal conduit with the fixture.

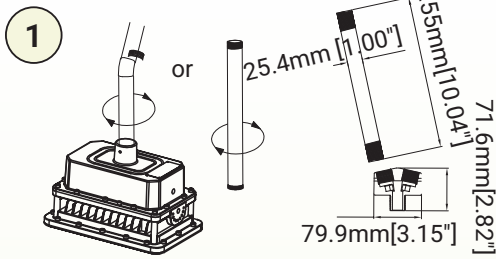


3. Drill 2x hole as Shown in Fig.2, the distance can be 91~140mm, fixing  $\varnothing 10$  expansion screws and bracket on ceiling.



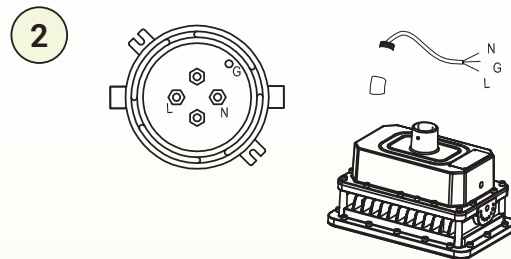
4. Connect black cable to L, Connect White cable to N, Connect green cable to grounding.

## Pole Mounting

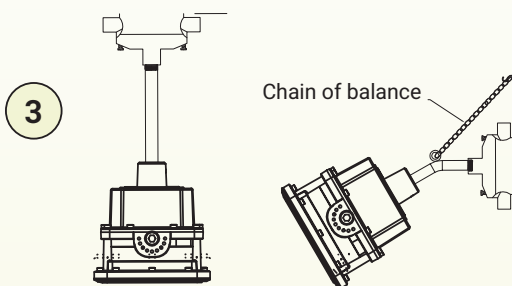


Optional: adjustable pole connector

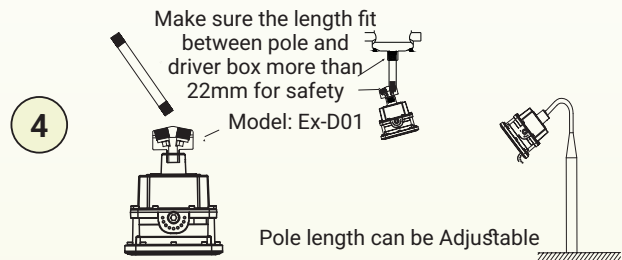
1. Take the fixture and pole accessory out from carton box, tighten pole as shown in Fig.1.



2. Connect black cable to L, Connect White cable to N, Connect green cable to grounding.

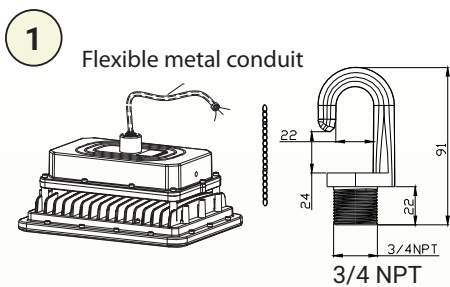


3. Drill 4x Ø10mm holes, as 100mm distance, install the junction box to the wall or ceiling as shown in Fig.3, tighten the pole to the box, and adjust the chain of balance.

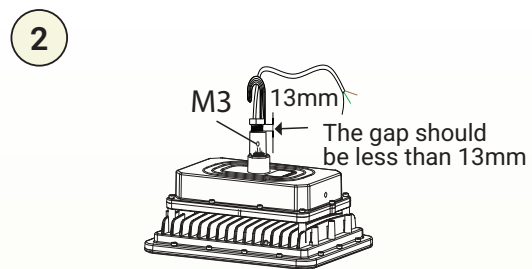


4. Adjustable pole installation. With this adjustable kit, you can Make any light distribution direct as you want.  
**Optional:** Install the fixture to the long pole after cable connecting cable.

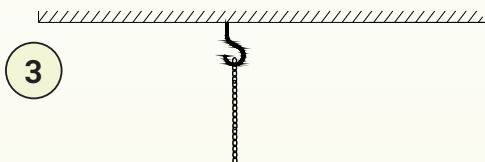
## Hook Pendant



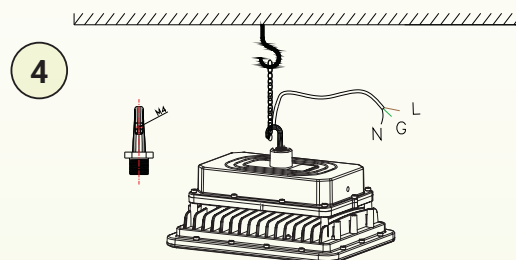
1. Take the fixture and accessory out from carton box tighten 2x angle holder screw as shown in Fig.1.,



2. Tighten the hook with the fixture, at least 6x teeth need to be tighten, fix the M3 screw to prevent the hook loosening .



3. Drill 1 expansion screw hole and install it, and hang the chain as shown in Fig.3.

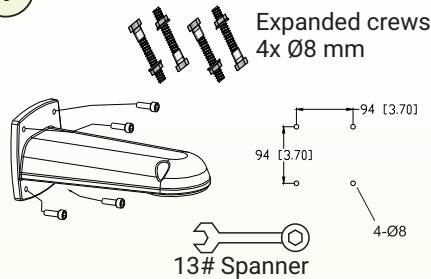


4. Hang the fixture to the hook as above, connect black cable to L, connect White cable to N, connect green cable to grounding.

# Arm Mounting

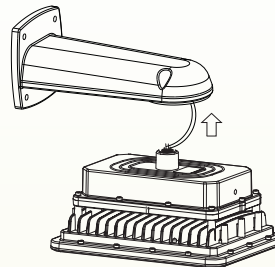
This installation method is only for Model A2 and Model A. It can not be applied on model A3 because model A3 too heavy. Only one electrician is required for this installation.

1



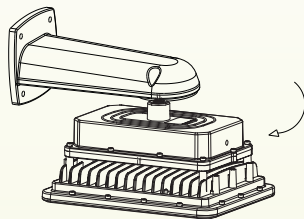
1. Drill 4x holes as above distance, and fix the arm on the wall, tighten 4x screws as shown in Fig.1.

2



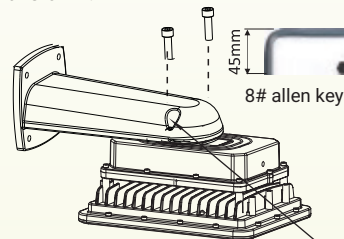
2. Contact the power AC wire with lamp, put the terminal into the arm.

3



3. Match the circle part with arm, and rotate it to right

4

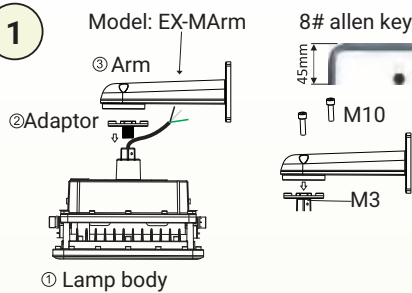


4. Tighten 2x screws to avoid the lamp loosed.  
make sure the screw be fixed well for safety

# Stanchion Mounting

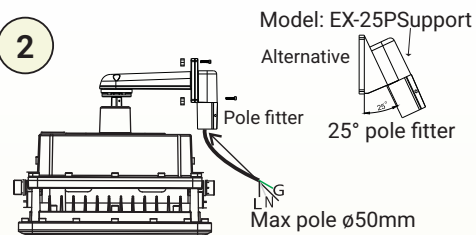
This installation method is only for Model A2 and Model A. It can not be applied on model A3 because model A3 too heavy. Only one electrician is required for this installation.

1



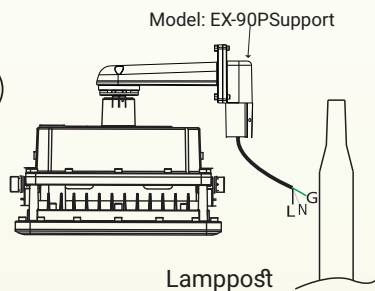
1. Tighten part 2 and assembly 1, and fix the M3 screw, install , arm to the adaptor, tighten the M10 via 8# allen key.

2



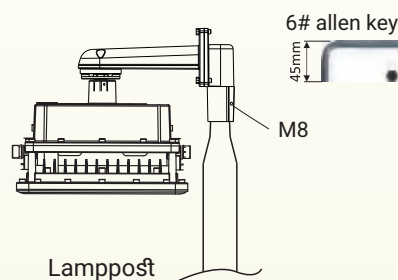
2. Install the pole fitter with arm via 4x M8 screws, the max suitable pole diameter 50mm, the alternative 25 degrees pole fitter.

3



3. Contact the cable to AC wire, connect black cable to L, connect White cable to N, Connect green cable to grounding.

4



4. Slip the fitter to the lamppost and tighten M8 inner hexagonal screw.



## Arm Mounting

This installation method is only for Model A2 and Model A. It can not be applied on model A3 because model A3 too heavy. Only one electrician is required for this installation.

- 1**

Expanded crews  
4x Ø8 mm

94 [3.70]

94 [3.70]

4-Ø8

13# Spanner

1. Drill 4x holes as above distance, and fix the arm on the wall, tighten 4x screws as shown in Fig.1.
- 2**

2. Contact the power AC wire with lamp, put the terminal into the arm.
- 3**

3. Match the circle part with arm, and rotate it to right
- 4**

45mm

8# allen key

make sure the screw be fixed well for safety

4. Tighten 2x screws to avoid the lamp loosed.

## Stanchion Mounting

This installation method is only for Model A2 and Model A. It can not be applied on model A3 because model A3 too heavy. Only one electrician is required for this installation.

- 1**

Model: EX-MArm

8# allen key

45mm

M10

M3

③ Arm

② Adaptor

① Lamp body

1. Tighten part 2 and assembly 1, and fix the M3 screw, install , arm to the adaptor, tighten the M10 via 8# allen key.
- 2**

Model: EX-25PSupport

Alternative

Pole fitter

25° pole fitter

Max pole ø50mm

2. Install the pole fitter with arm via 4x M8 screws, the max suitable pole diameter 50mm, the alternative 25 degrees pole fitter.
- 3**

Model: EX-90PSupport

Lamppost

L

N

G

3. Contact the cable to AC wire, connect black cable to L, connect White cable to N, Connect green cable to grounding.
- 4**

6# allen key

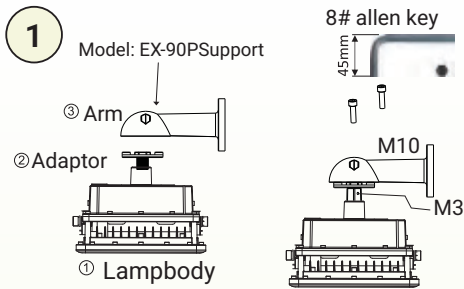
45mm

M8

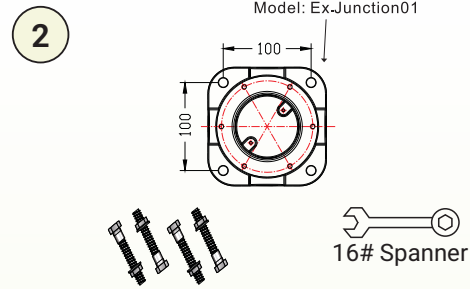
Lamppost

4. Slip the fitter to the lamppost and tighten M8 inner hexagonal screw.

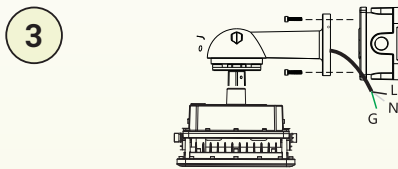
# Wall Mounting to Junction box



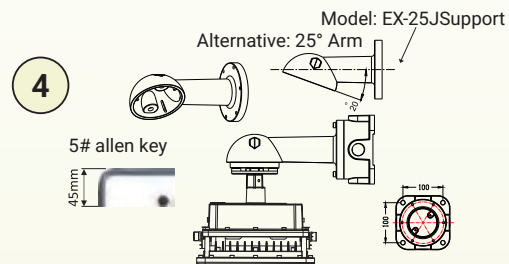
1. Tighten part 2 and assembly 1, and fix the M3 screw, install arm to the adaptor, tighten the M10 via 8# allen key.



2. Drill 4x Ø10mm holes Install the junction box to the wall via M10 expanded screw.



3. Contact the AC wire to power system, connect black cable to L, connect white cable to N, connect green cable to grounding.



4. Tighten 6 x screws between arm and junction box, turn

## Features

- Working Temperature: -40°C ~ +55°C/+60°C.
- High quality SMT LED and Meanwell Driver.
- Light-weight design by Die casting aluminum.
- Heavy-duty and high impact resistance.
- Three connection cable entry points.
- Replaceable LED board and drivers.
- Integrated junction box for driver with emergency back up.
- Dimmable and battery back up function available.
- Marine rating powder coated appearance treatment.
- Up to 5 years limited warranty option.
- Emergency Battery back up to three hours.
- Various installation ways for different applications.
- Glass lens or Glass with polycarbonate lens to make bigger beam angle

## Light Distribution

200W/40D

Center Beam fc	Beam Width
4ft 2008fc	4ft 4ft
8ft 480fc	7ft 7ft
12ft 203fc	11ft 11ft
16ft 115fc	15ft 16ft
20ft 98fc	19ft 23ft

■ Vert, Spread; 40°  
■ Horiz, Spread; 40°

200W/60D

Center Beam fc	Beam Width
4ft 1434fc	6ft 5ft
8ft 343fc	11ft 11ft
12ft 145fc	17ft 14ft
16ft 81fc	22ft 23ft
20ft 69fc	27ft 31ft

■ Vert, Spread; 60°  
■ Horiz, Spread; 60°

200W/90D

Center Beam fc	Beam Width
4ft 1024fc	8ft 8ft
8ft 255fc	15ft 16ft
12ft 105fc	24ft 26ft
16ft 58fc	32ft 33ft
20ft 39fc	39ft 45ft

■ Vert, Spread; 90°  
■ Horiz, Spread; 90°

200W/120D

Center Beam fc	Beam Width
4ft 683fc	11ft 11ft
8ft 170fc	21ft 22ft
12ft 73fc	32ft 33ft
16ft 39fc	43ft 45ft
20ft 26fc	53ft 56ft

■ Vert, Spread; 120°  
■ Horiz, Spread; 120°

**Accessories**



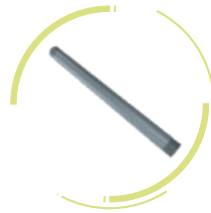
**Model:** Ex-Junction01  
**Name:** Junction Box  
**Material:** Aircraft Aluminum A383



**Model:** EX-Hook  
**Name:** Installation Hook  
**Material:** Aircraft Aluminum A383



**Model:** EX-WPipe  
**Name:** Winding Swing Pipe  
**Material:** Iron with Power Coating



**Model:** EX-SPipe  
**Name:** Winding Swing Pipe  
**Material:** Iron with Power Coating



**Model:** EX-MArm  
**Name:** Surface Mounting Arm  
**Material:** Aircraft Aluminum A383



**Model:** EX-25PSupport  
**Name:** 25 Degree Pole Support  
**Material:** Aircraft Aluminum A383



**Model:** Ex-90JSupport  
**Name:** 90° Arm to Junction box  
**Material:** Aircraft Aluminum A383



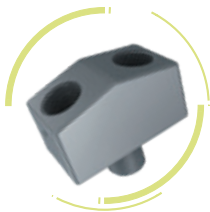
**Model:** Ex-25JSupport  
**Name:** 25° Arm to Junction box  
**Material:** Aircraft Aluminum A383



**Model:** Ex-Conduit01  
**Name:** Metal Conduit  
**Material:** Stainless Steel and



**Model:** EX-90PSupport  
**Name:** 90 Degree Pole Support  
**Material:** Aircraft Aluminum



**Model:** Ex-D01  
**Name:** Pendant Direction Adapter  
**Material:** Aircraft Aluminum



**Model:** Ex-DArm  
**Name:** Direct Mounting Arm  
**Material:** Aircraft Aluminum A383