

ALROUF HIGHBAY LIGHT

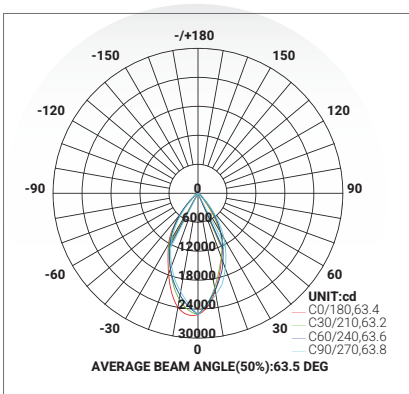
Product Features

- High performance and reputable brand led chips and driver
- Clear polycarbonate lens with no risk of lamp breaking for safe industry applications
- Optimized aluminum alloy housing design for superior thermal management
- Instant light up with no warm up time
- No cool down needed before restart
- High mechanical impact resistance and ingress protection rating
- Compact in size and easy for transportation

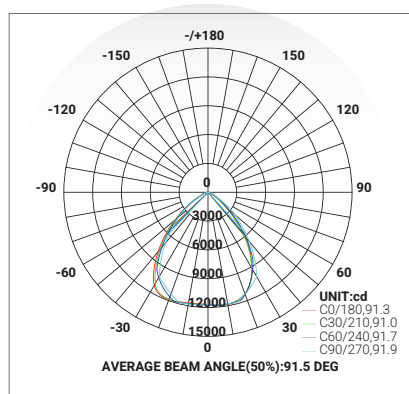
Options

- Safety rope
- 1-10V Dimming
- 60/90/120 degree lens
- Adjustable mounting bracket
- Microwave sensor available

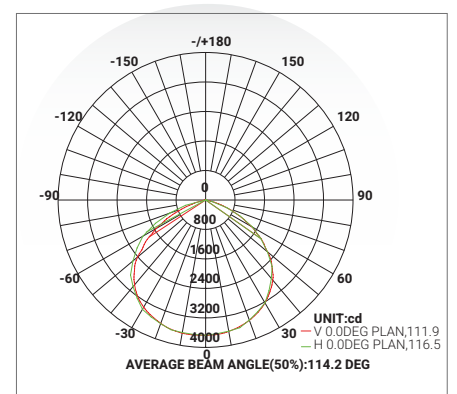
Photometrics



60°

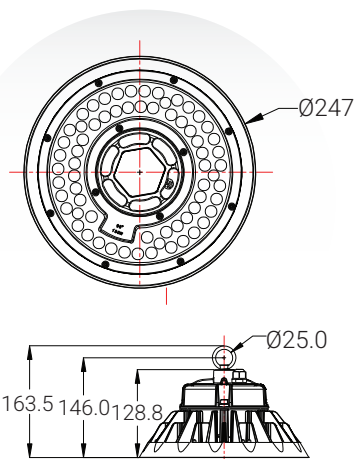


90°

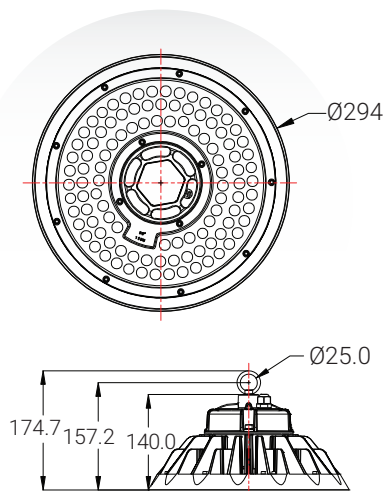


120°

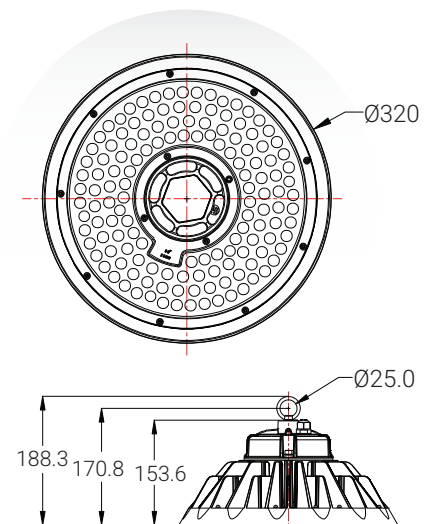
Dimensions



100W



150W



200W/240W

Specifications

- Power Consumption: 100-240W
- Luminous Flux: 14,000lm to 36,000lm
- Input Voltage: 100-277V~
- Color Temperature: 2700 - 6500K
- IP and IK Rating: IP65 and IK08
- Colour Rendering Index (Ra): 80+
- L70 lumen maintenance: >50,000 hours
- Power factor: >0.95
- Warranty: 5 years
- Operation Temperature Range: -30°C to +50°C

Ordering Information

Part No	Power	CCT	Flux	Dimming	Diameter	Height	Beam Angle
Alrouf-UFO-E100W	100W	2700-6500K	14,000-15,000lm	optional	247mm	163mm	60/90/120°
Alrouf-UFO-E150W	150W	2700-6500K	21,000-25,500lm	optional	294mm	174mm	60/90/120°
Alrouf-UFO-E200W	200W	2700-6500K	28,000-30,000lm	optional	320mm	188mm	60/90/120°
Alrouf-UFO-E240W	240W	2700-6500K	33,600-36,000lm	optional	320mm	188mm	60/90/120°

Model	Carton Size	N.W	G.W	QTY
Alrouf-UFO-E100W	280*280*170mm	2.2KG	2.7KG	1PCS
Alrouf-UFO-E150W	330*330*180mm	3.0KG	3.5KG	1PCS
Alrouf-UFO-E200W	350*350*200mm	3.8KG	4.2KG	1PCS
Alrouf-UFO-E240W	350*350*200mm	3.8KG	4.2KG	1PCS

