



# ALROUF EX PROOF HIGHBAY B-SERIES

### Applications

- All Petroleum Production and Refinery
- Petroleum Loading and Transportation
- Petroleum Storage and Retail
- Paint Facilities
- Pumping Stations in any Environment
- Metal Smelting, Foundry and Fabrication
- Mining Operations and Service
- Ocean Platform Facilities and Structure
- Aerospace Clean Room and Production
- Chemical Production and Storage
- Ocean Vessel Operations
- Military Space Conditions
- Flour and Fine Particle Production and Storage
- Food and Distilling Production
- Electrical Power Generation and Stations
- Other high humidity, high vapor, high dust and high temperature locations

### Metal Treatment

- Steel and Aluminum factories
- Pumping stations in any environment
- Metal smelting, foundry and fabrication

### Food and Alcohol Industry

- Flour and fine particle production and storage
- Food and distilling production
- Alcohol industry

### Ocean, Marine and Aerospace Field

- Ocean platform operation facilities and structure
- Aerospace clean room and production
- Ocean vessel operations

### Oil and Gas Industry

- All petroleum production and refining
- Petroleum loading and transportation
- Petroleum storage and retail
- LNG industry
- All mining operations and service Chemical industry
- All types of paint facilities
- Chemical production and storage



**Other high humidity, high dust, high temperature, vapor locations**

## Features

- Working Temperature: -40Å°C - +55Å°C.
- High quality SMT LED and Meanwell Driver.
- Light-weight design by aircraft aluminum.
- Heavy-duty and high impact resistance.
- Three connection cable entry points.
- Replaceable LED board and drivers.
- Integrated junction box for driver with emergency back up.
- Dimmable and battery back up function available.
- Marine rating powder coated appearance treatment.
- Up to 5 years limited warranty option.
- Emergency Battery back up to three hours.
- Various installation ways for different applications.
- Glass lens or Glass with polycarbonate lens to make bigger beam angle.

## Materials

- Housing: Aluminum
- Lens: Tempered glass
- Mounting Bracket: stainless steel
- Hardware: stainless steel



### Marking IECEX

Ex mb eb IIC T4 Gb  
Ex tb IIIC T135C Db IP66  
Exec IIC T3C Ge  
Ex tb IIIC T85C Db Ip66



### Marking Atex

112 G Ex mb eb IIC T4 Gb  
112 D Ex tb IIIC T135C Db IP66  
113 G Exec IIC T3C Ge  
112 D Ex tb IIIC T85C Db IP66



### Marine Marking

UL 1598A  
ABS  
Other Rating IP 66



### Marking UL844 (North American)

Class I, Division 2, Groups A, B, C, D  
Class 11, Division 1, Groups E, F, G  
Class 11, Division 2, Groups F, G  
Class III

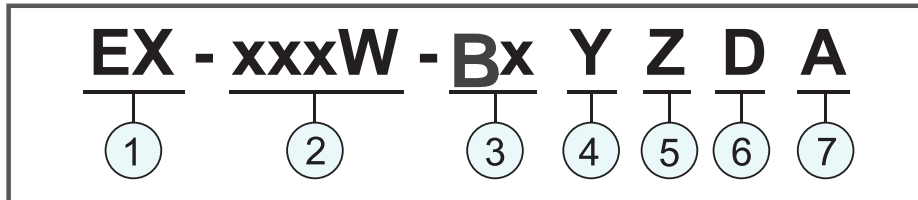
### Typical Model Specification

Product Number	Wattage	Color Temperature	Voltage	Lumens	Warranty	CRI
EX-20W B2N50D120	20	2200K-7000K	AC100-277V(by driver or by IC) Or DC12-48V	2800	5 years	80
EX-40W B2N50D120	40			5600		
EX-60W B2N50D120	60			8400		
EX-80W B2N50D120	80		AC100-277V(by driver or by IC) Or DC12-48V Or AC200-488V(<65W)	11200		
EX-100W B3N50D120	100			14000		
EX-120W B3N50D120	120			16800		
EX-150W B3N50D120	150		21000			
EX-200W B3N50D120	200		AC100-277V(by driver or by IC) Or DC12-48V Or AC200-488V	28000		
EX-250W B4N50D120	250			35000		
EX-300W B4N50D120	300			42000		
EX-350W B4N50D120	350			49000		
EX-120W B4N50D120	400			56000		

### Packing Information

Model	Quantity/Carton	Length(cm)	Width(cm)	Height(cm)	Net weight(kg)	Gross weight(kg)
B	1	38.6	33	22	4.4	5.5
B2	1	36	35.4	26	3.5	5
B3	1	48	46	26.5	8.2	10.5
B4	1	53	53	44	18.8	21.5

## Ordering Information



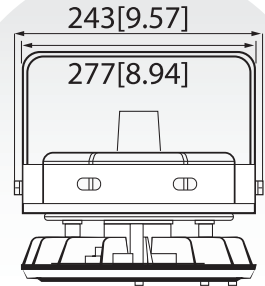
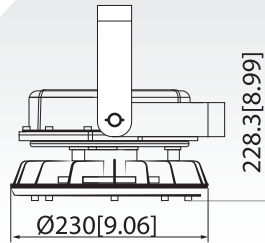
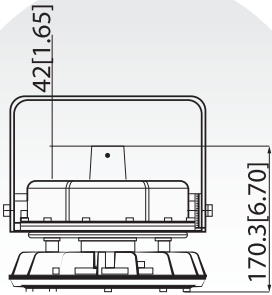
- ① **PRODUCT CATEGORY**
  - ◆ Explosion proof light
- ② **WATTAGE**
  - ◆ From 2200K to 7000K
- ③ **PRODUCT SERIES**
  - ◆ B2 B3 B4
- ④ **DIMMING OPTION**
  - ◆ D= dimmable
  - ◆ N= Non-dimmable
- ⑤ **CCT**
  - ◆ From 2200K to 7000K
  - ◆ 22=2200K, 30=3000K, ..., 70=7000K
- ⑥ **BEAM ANGLE**
  - ◆ D40= 40°
  - ◆ D60= 60°
- ⑦ **GLASS TYPE**
  - ◆ A=blank: Flat glass
  - ◆ A=C: Spherical glass

## Certification

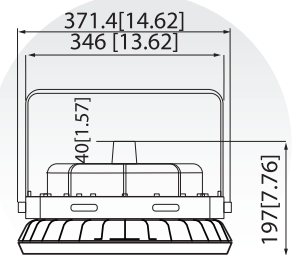
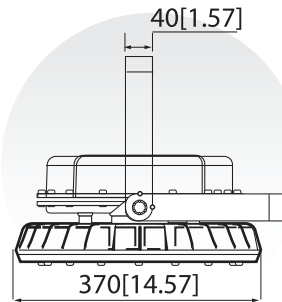
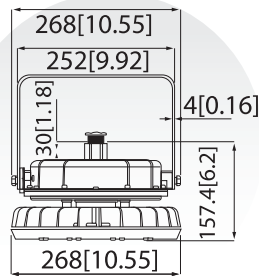
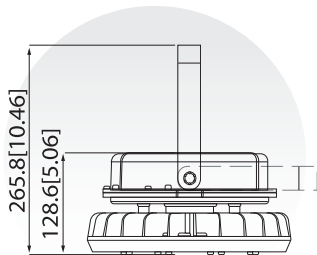


# Dimension

## Model B2

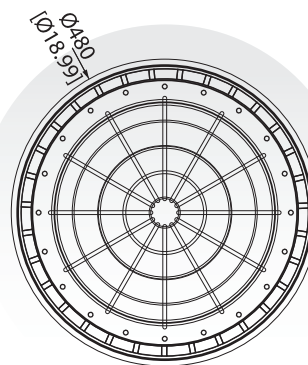
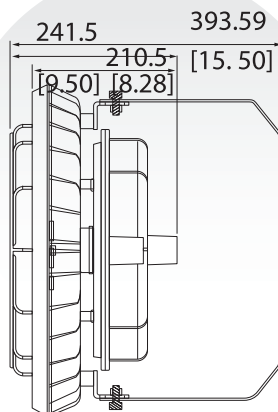


## Model B



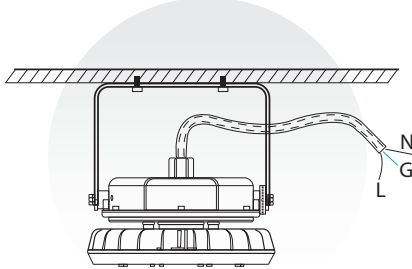
## Model B3

## Model B4

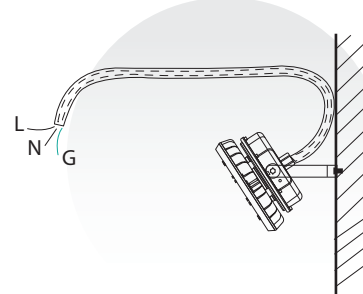


# Mounting

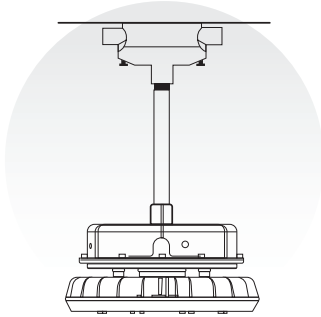
**No.1: Ceiling Mounting**



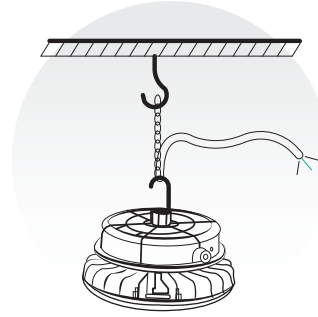
**No.2: Wall Mounting**



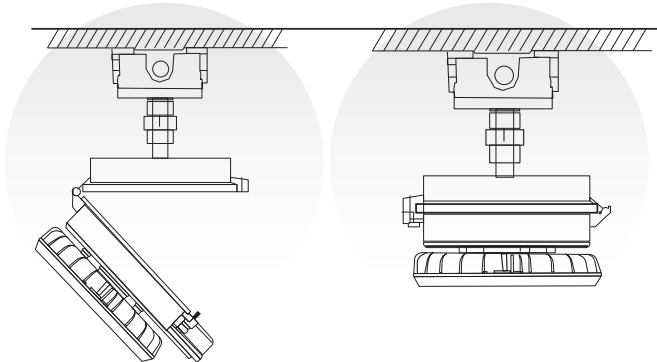
**No.3: Pole Pendant**



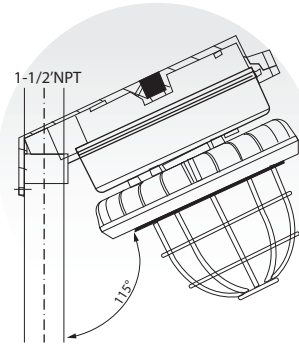
**No.4: Hook Pendant**



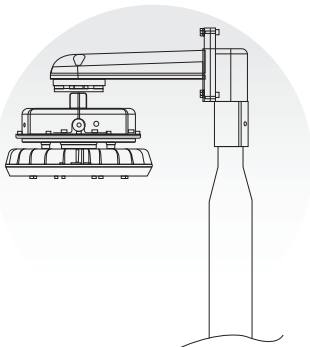
**No.5: Ceiling Mounting by Opening Driver Box**



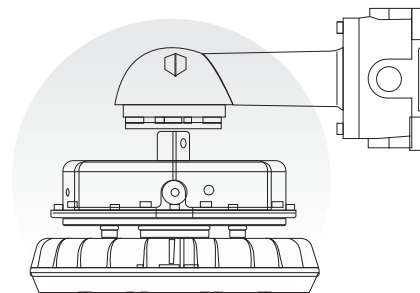
**No.6: 25 Degree Stanchion Mounting**



**No. 7: Stanchion Mounting**



**No.8: Wall Mounting**





### Accessories



**Model:** Ex-Junction01  
**Name:** Junction Box  
**Material:** Aircraft Aluminum A383



**Model:** EX-Hook  
**Name:** Installation Hook  
**Material:** Aircraft Aluminum A383



**Model:** EX-WPipe  
**Name:** Winding Swing Pipe  
**Material:** Iron with Power Coating



**Model:** EX-SPipe  
**Name:** Winding Swing Pipe  
**Material:** Iron with Power Coating



**Model:** EX-MArm  
**Name:** Surface Mounting Arm  
**Material:** Aircraft Aluminum A383



**Model:** EX-25PSupport  
**Name:** 25 Degree Pole Support  
**Material:** Aircraft Aluminum A383



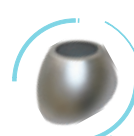
**Model:** Ex-90JSupport  
**Name:** 90° Arm to Junction box  
**Material:** Aircraft Aluminum A383



**Model:** Ex-25JSupport  
**Name:** 25° Arm to Junction box  
**Material:** Aircraft Aluminum A383



**Model:** Ex-ShadeB/B2/B3  
**Name:** Lamp Shade  
**Material:** Aluminum A6061



**Model:** Ex-CshadeB/B2/B3  
**Name:** Cut off lamp shade  
**Material:** Aluminum A6061



**Model:** Ex-Conduit01  
**Name:** Metal Conduit  
**Material:** Stainless Steel and Aluminum



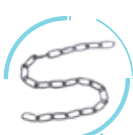
**Model:** Ex-D01  
**Name:** Pendant Direction Adapter  
**Material:** Aircraft Aluminum A383



**Model:** EX-90PSupport  
**Name:** 90 Degree Pole Support  
**Material:** Aircraft Aluminum A383



**Model:** Ex-DArm  
**Name:** Direct Mounting Arm  
**Material:** Aircraft Aluminum A383



**Model:** Ex-Chain  
**Name:** Pendant Chain  
**Material:** Stainless Steel S30400