

GS-HP/BS 3 colors Beacon Light,

the shell is made of aluminum alloy paint.The light source is imported LED, with a service life of up to 200,000 hours;The product can send out a tricolor light signal at night or in poor visibility during the day, indicating the location of the helipad.



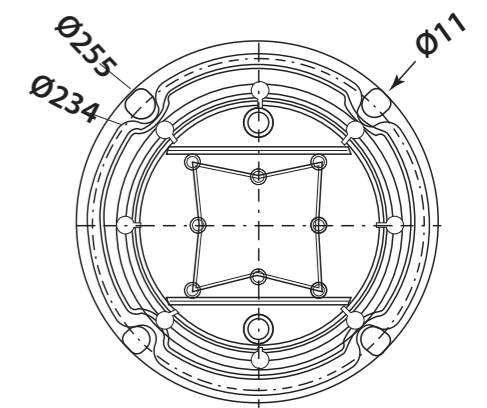
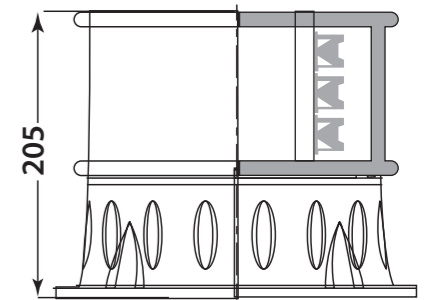
Features

- The enclosure is made of high strength aviation aluminum and is fully sealed.
- High quality LED chips, with high brightness, low energy consumption, long life and other characteristics.
- Independently developed advanced optical system, the focus Angle meets FAA and ICAO requirements.
- With surge protection device, suitable for harsh working environment.
- Advanced high heat conduction paint technology, with excellent heat dissipation, can effectively reduce the volume and weight of lamps.
- With shock resistance, lightning protection, sun resistance, rain and snow resistance, can resist the typhoon, hail and other bad weather attack.
- With overcurrent protection function.
- Military grade circuit design, can be applied to a variety of radar and radiation interference environment.

Specification

Name	Parameter
Model	GS-HP/BS
Optional Supply Voltage	AC85V~265V, DC12V
Power Consumption	<30W
Ambient Temperature	-50°C~85°C
Ambient Humidity	≤95%
Altitude	≤4500m
IP Protection	IP 66
Lighting Source	LED
Product Size	255mm×255mm×205mm
Installation Size	φ234×4×M8
Working Mode	Flashing
Emitting Color	White,Green,Yellow
Weight	7KG

Dimension



DS-HP/BS

