

GS-HP/I Inset Perimeter Light

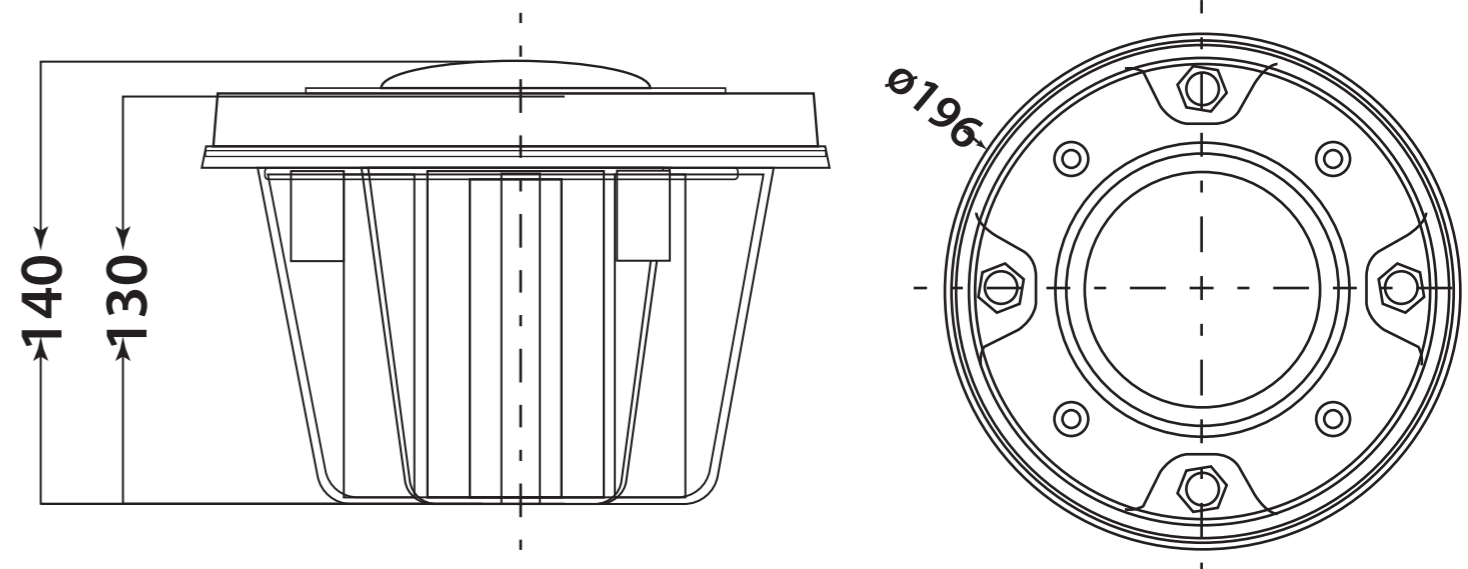
GS-HP/I Inset Perimeter Light shell adopts aluminum gravity casting, it is good at waterproof and heat dissipation.

The inner adopt LED light resource and cooperate with advanced optical glass design, emitting angle meet FAA standard.

The product is set in the area of heliport ground connection and lift off, it can send out green light signal at night or during low visibility weather, which can indicate the edge location of helicopter 's ground connection and lift-off.



Dimension



Features

- Adopt the superior thermal performance of aviation aluminum weight casting, provides excellent cooling environment for LED light source.
- With work stability, strong anti-interference ability and shock resistance.
- Full sealed structure base, with superior waterproof performance.
- With storm surge protection device.
- Shielding sealed power supply, with excellent waterproof and anti-jamming.
- Adopt independent encapsulation of high-power LED light source, which has the specific of high light brightness, and long service life.

Specification

Name	Parameter
Model	GS-HP/I
Power voltage	Optional voltage: AC220V, AC120V, DC48V
Power Supply Frequency	50HZ~60HZ
Power Consumption	≤10W
Working mode	Steady-burning
Light Intensity	≥55CD
Optional Emitting Light Colors	FATO White/ TLOF Green
Service Life of the Light Source	≥20years
Overall Size(mm)	196mm(D) x 140mm(H)
Installation size	206mm x 145mm
IP Protection	IP67
Ambient Temperature	-55°C~85°C
Net Weight	4.5Kg
Humidity	<95%
Altitude	<4500M

