

GS-HP/E Heliport Elevated Perimeter Light

GS-HP/E Heliport Elevated Perimeter Light adopts LED Light source technology.

The service life is above 10 years.

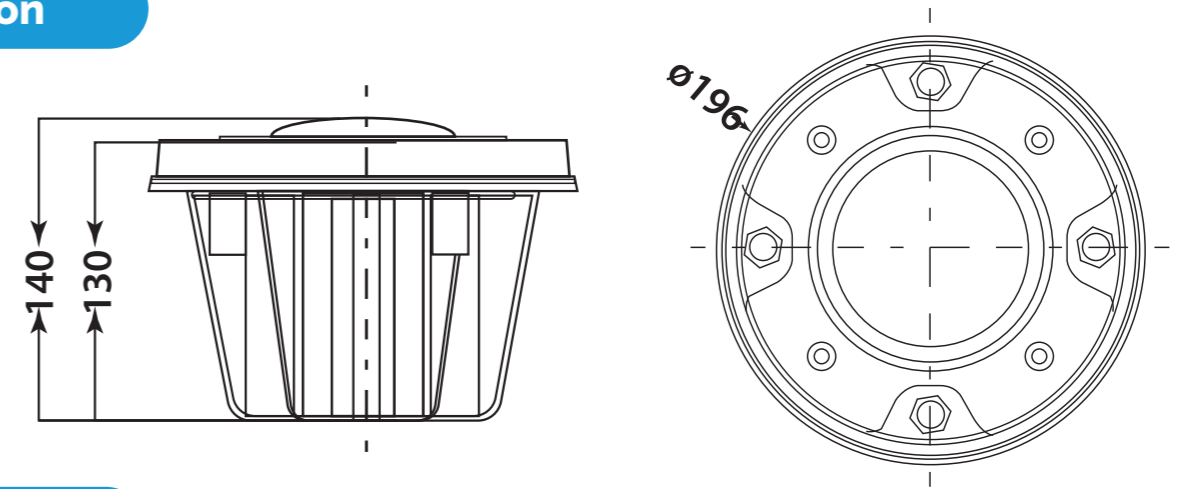
Lens adopts tempered glass.

This product is used for shining omni directional green light to indicate the location of helicopter ground connection and left off.



GS-HP/E

Dimension



Features

- With work stability, strong anti-interference ability and shock resistance.
- Full sealed structure base, with superior waterproof performance.
- With the anti-surge protection device.
- Professional custom LED chips, with high light brightness and long service life.
- Transformer isolation step-down, all electrical work in low voltage circuit can save the service life of light source.
- Easy to break off design, can reduce the secondary damage to helicopters effectively.
- Arc adjustable design in chassis mounting holes, easy to install.
- Tempered glass material lens, provides corrosion resistance and UV protection.

Specification

Name	Parameter
Model	GS-HP/E
Power voltage	Optional voltage:AC220V, AC120V, DC24V-48V, 6.6A
Power Supply Frequency	50HZ~60HZ
Power Consumption	≤3W
Working mode	Steady Burning
Intensity	≥25cd
Light Source	LED
Service Life of the Light Source	≥20years
Optional Emitting Light Colors	Green/ Yellow
Overall Size(mm)	165x 165 x 132(mm)
Installation size	∅ 145mm x M10 (3 holes)
Ambient Temperature	-40°C~60°C
Net Weight	1.2KG
IP Protection	IP68
Humidity	<95%
Altitude	<4500M

