

Installation Instructions

Hazardous location light (Type H)

EX-40W H4D50D120

CE			IEC 60598				3-15 M	220-240V 50/60HZ	IP 66
							Max Area 3 M		

Important

READ INSTRUCTIONS CAREFULLY BEFORE INSTALLING. KEEP THIS INSTRUCTIONS FOR FUTURE REFERENCE.

Fixtures must be wired in accordance with the National electrical code and all applicable local codes. Proper grounding is required for safety.

THIS PRODUCT MUST BE INSTALLED IN ACCORDANCE WITH THE APPLICABLE INSTALLATION CODE BY A QUALIFIED ELECTRICIAN WHO IS FAMILIAR WITH THE CONSTRUCTION AND OPERATION OF THE PRODUCT AND THE HAZARDS INVOLVED.

Warning: Risk of fire or electric shock. High bay Light installation requires knowledge of luminaires and electrical systems. If not qualified, DO NOT try to install. Please contact an electrician.

Warning: Risk of fire or electric shock. Suitable for wet locations. Make sure the power is off premier to install.

Warning: Risk of fire or electric shock. Suitable for non-insulated surface and frame. DO NOT cover fixture with insulation liner or similar material.

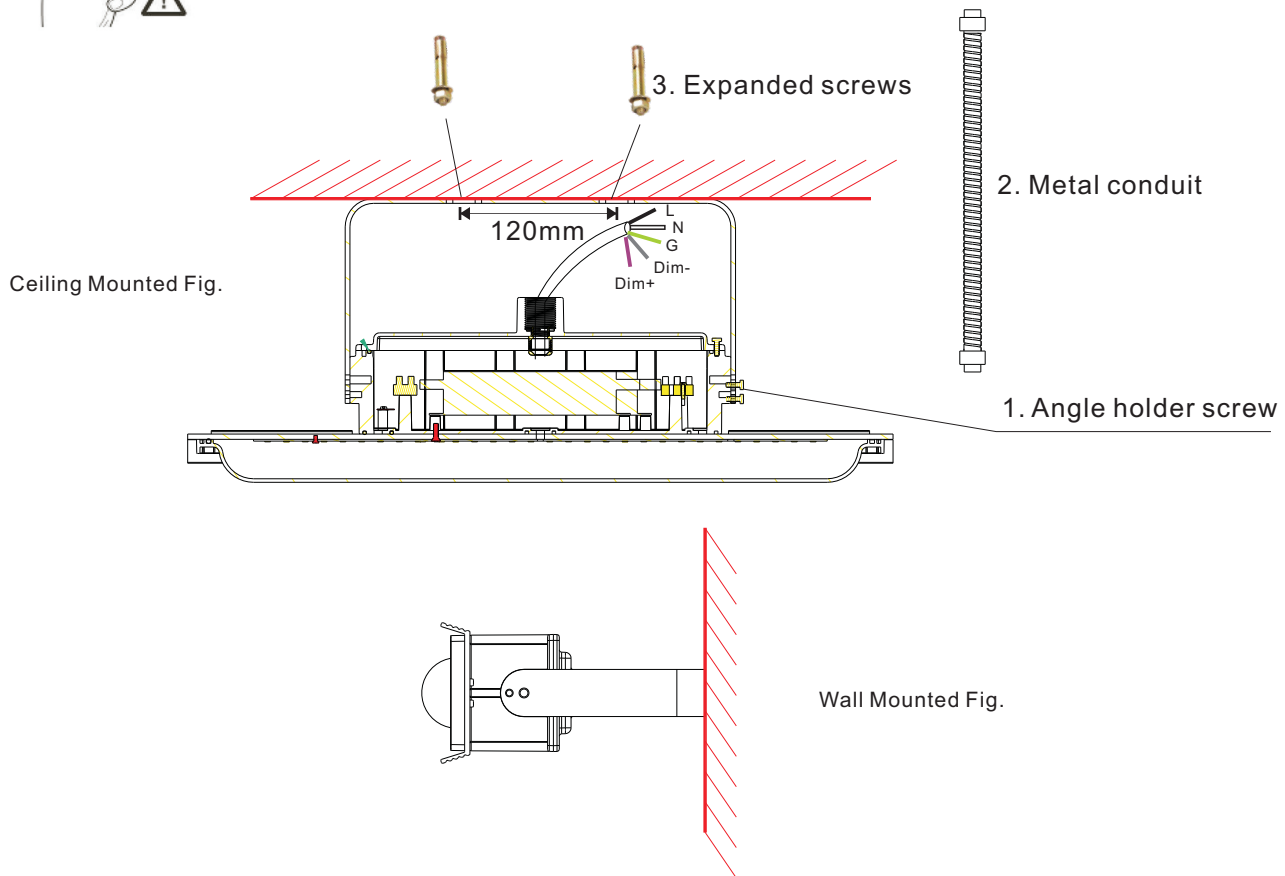
Warning: DO NOT install in unstable, loose or breakable surfaces.

Warning: DO NOT let objects impact or exert force on the surface of the fixture.

Installation Steps (For Class I Div. 2 Group A, B, C, D locations)



WARNING
Risk of fire, Electric shock or personal injury
Before installation, turn off power!



Description

1. Take the fixture and accessory out from cartoon box, tighten 2x angle holder screws.

3. Drill 2x 10mm hole as the distance 120mm, fixing $\varnothing 10$ expanded screws and bracket on ceiling.

2. Through the cable to flexible metal conduit and tighten it with the fixture.

4. Connect the AC cable, Black cable connect to Live wire, white cable connect to Null wire, green cable connect to grounding.
Optional: Dim+ connect to purple, Dim- connect to gray.

Safety Instructions

If electrical equipment has been damaged, such as a cable, the wires may become bare, in this case the external metal parts becomes a live electric conveyer.

Any malfunction, damage or improper use of the devices may lead to injury, and increase the risk of infection if you hold a particular device, as this device becomes the main reason for your inability to escape the state of electrification.

Even non-powered equipment can be dangerous in this case exposing the devices to very high temperatures may lead to a fire.

Others' equipment is not always safe or properly connected, always check before use.

This device must be installed only by specialists

Non User replaceable light source

Mounting instruction for type Y attachments :

Method of attachment of the cable or cord such that :

Any replacement can only made by manufacturer , his service agent or similarly Qualified person.

Cable Entries : suitable for introduction , adequate degree of protection

Operation position:	Class I
Weight and dimensions:	7.00KG, 32*24*16 cm
Maximum protected area:	P
Limitation of use indoors and/or outdoor:	Outdoor
Controllable luminaries, classification of insulation provided:	B

statement:

- For non-user replaceable light source: "The light source contained in this luminaire shall only be replaced by the manufacturer or his service agent or a similar qualified person."
- Instruction for Terminal Block: "Terminal block not included. Installation must be performed by a qualified person."
- Terminal block not included. Installation must be performed by a qualified person."