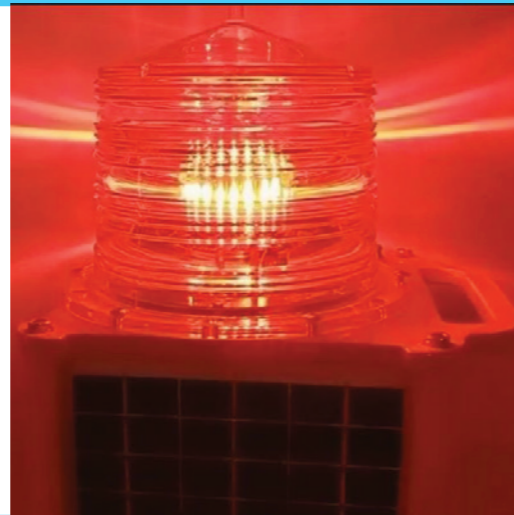


Alrouf LED Medium-intensity Solar Powered Aircraft Warning Light



GS-MS/B

Products Description

GS-MS/B Portable Medium-intensity Type B Solar Aviation Obstruction Light

Portable Medium-intensity Type B Solar Aviation Obstruction Light adopts illuminance but high efficient solar panels integrated design, cooperate with solar dedicated plumbic acid battery as power supply.

The battery adopts advance power management system, which can provide good protection when battery 's voltage and temperature too high or too low, so it can improve the battery's service life efficiently.

Controlling circuit adopts micro-power consumption, which reduce controlling circuit 's power consumption.

Light source adopts high efficient LED chip, which has specific of high Light intensity, low power consumption, long life and so on.

Adopts portable structure design, it's convenient for transportation, especially fit for temporary channel, airport runway.

Lampshade adopt with PC material, which can resist corrosion, anti-UV, anti-shock and so on.

Features

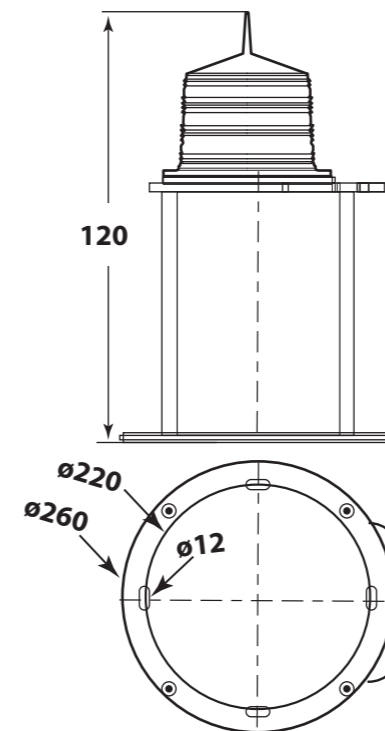
- Continuous working time in rainy day can reach more than 15 days (12 hours a day).
- Photocell can switch ON/OFF the light in rainy days or at night automatically.
- Standardization of optical design, high photoelectric conversion efficiency.
- Special LED chips with brightness, high conversion efficient and long life.
- Provide ability of lightning protection, light fastness, resist snow and rain.
- LED technology, working stable, save cost of maintain.
- Internal use renewable solar dedicated lead-acid battery, service life can reach more than 2 years.
- Can customize lithium iron phosphate battery to improve service life and working temperature range.



Specification

Name	Parameter	Name	Parameter
Type	GS-MS/B	Light Source Life	>100000 hours
Power Provider	Mono-Crystalline Silicon Solar panel	Emitting Colors	Red
Battery Capacity	12V24AH	Battery Type	Lead acid battery
Solar panel Power	8Wx4	Solar panel voltage	6Wx4
Power Consumption	≤45W	Vertical Divergence	>10°
Visual Distance	40km	Horizontal Out-put	360°
Light Intensity	20000cd (±25%)	Overall Size(mm)	260X260X420(H)
Light Source	LED	Installation Size(mm)	D220mm×M8
Working temperature	-50℃~70℃	Wind-speed Ability	80m/s
Storage temperature	-50℃~70℃	Working mode	Flashing(20tims/min)
Weight	7kg	IP Protection	IP65
Sun Switch Illumination Threshold	300LUX±100LUX	Continuous Burning Timein rainy days	>15 days (12 hours/day)

Dimension



Application

Block,
Bridge,
Towers,
Communication Tower,
Chimney,
Runway,
Heliport,
Traffic Barrier,
Tower Cranes