

## GS-HP/ET Solar Powered Elevated Perimeter Lamp's

GS-HP/ET solar powered elevated perimeter lamp's shell is made of high strength material and has excellent waterproof and anti-aging properties.

The interior adopts LED light source and advanced optical lens design, and the luminous angle conforms to FAA standard.

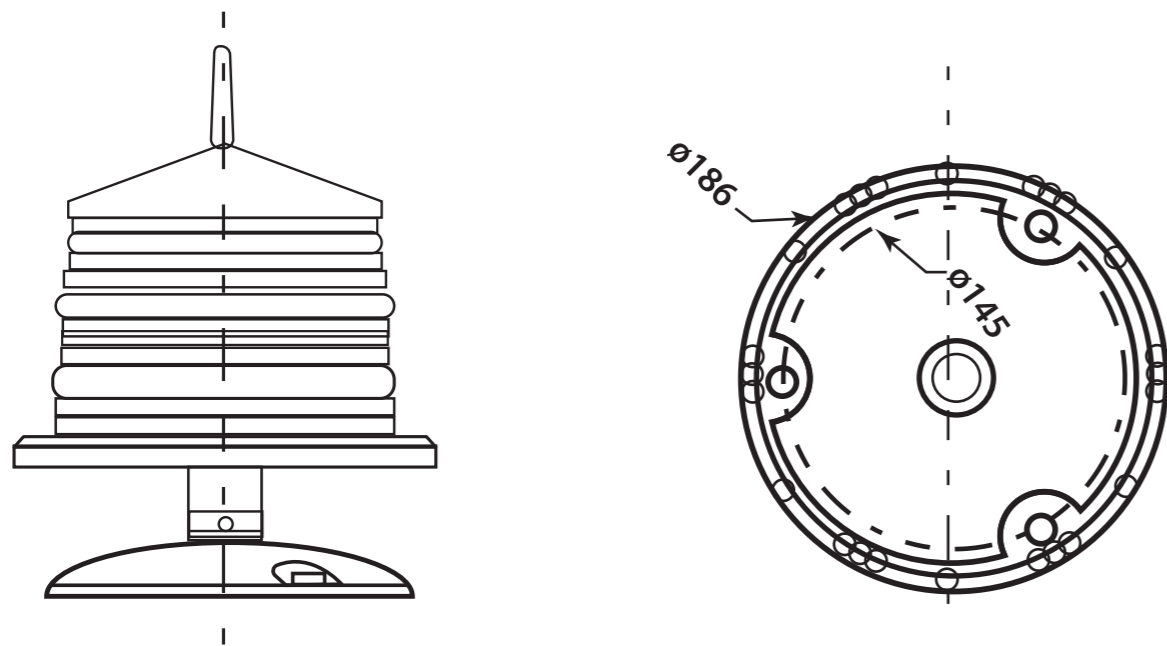
The product can be used for airport/heliport boundary indication.

It can send out omnidirectional green light signal at night or in the daytime with low visibility, and clearly mark the boundary position.

### Features

- Simplified design, easy to install and operate;
- Integrated structure design, simple installation and dis-assembly.
- Easy to fold device.
- Stable operation, strong anti-interference ability and anti vibration.
- Fully sealed structure, superior waterproof performance.
- High power LED light source with independent package is adopted, which has the characteristics of high brightness and long service life.
- Remote control function can be selected to control lamps remotely.

### Dimension



GS-HP/ET

### Specification

Name	Parameter
Model	GS-HP/ET
Power Supplier	Solar Panel
Solar Panel Power Consumption	2.8W
Battery Voltage	6.4V
Battery Capacity	3.3AH
Battery Type	Class A Lithium Iron Phosphate Battery
Battery Life	≥5 Years
Duration In Rainy Days	≥15 Days
Average Power Consumption	≤0.3W
Working mode	Steady Burning
Emitting Light Color	Green
Max Light Intensity	≥25CD
Horizontal Out Put	360°
Service Life of the Light Source	≥20 Years
Overall Size(mm)	∅ 186mm (D) × 245mm (H)
Installation size	∅ 145mm × M10 (3 holes)
IP Protection	IP67
Ambient Temperature	-50°C~70°C
Net Weight	0.8KG
Humidity	<95%
Altitude	<4500M
Standard	Comply to: ICAO Annex 14, Volume 1 FAA AC 150 / 5345-46B GB / T 7256-2005