

الرووف
LIGHTING TECHNOLOGY CO.Ltd.



شركة الرووف
لتقنية الإنارة المحدودة



Alrouf LED Panels Lights

www.alroufled.com

Products Description

High-powered white LEDs provide high CRI and energy efficient lighting

Ceiling have a non-disruptive aesthetic appearing free of a visible light source - even when the light is off.

Diffused lens gives an evenly illuminated appearance

Ultra-thin trim (10mm) allows installation in very shallow ceiling plenums.

Easy to install in the most common T-bar ceiling grids.

Application



General Lighting



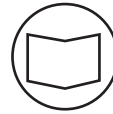
Office



Healthcare



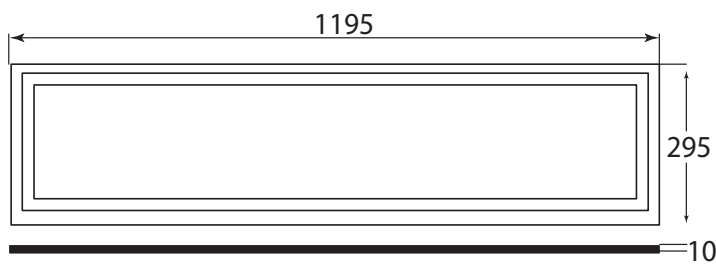
Retail



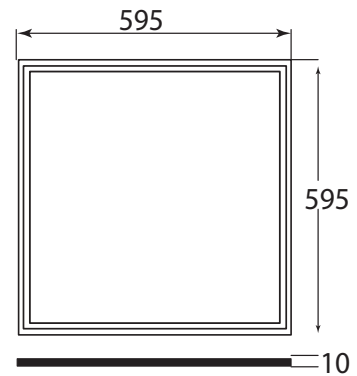
Education

Dimension

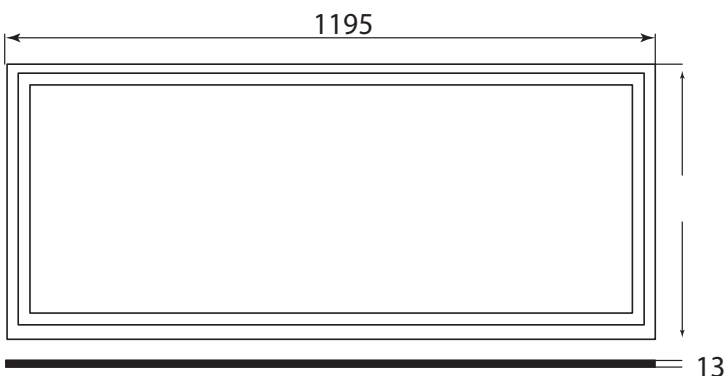
Panel 1 X 4



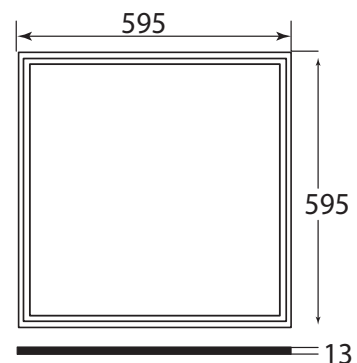
Panel 2 X 2



Panel 2 X 4



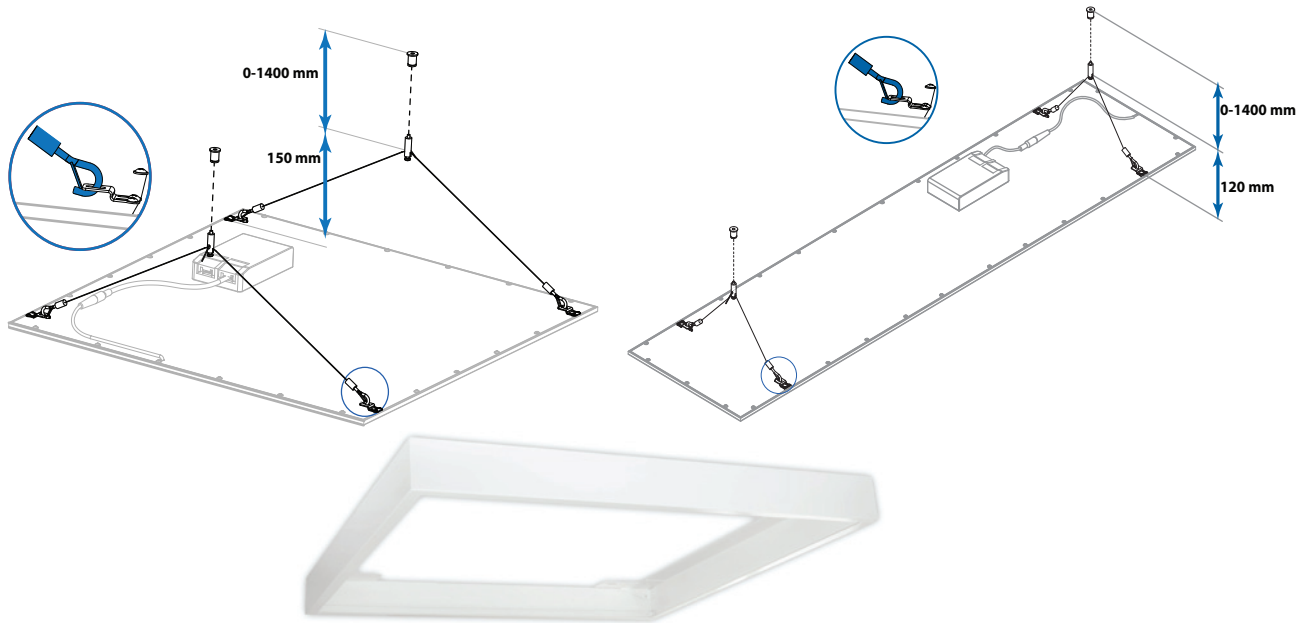
Panel 2 X 2 IP541195



SURFACE MOUNTING KIT

Suitable for 2x2 or 1x4 Edgelit LED panels.

It's ideal for applications where recessed mounting is not possible.



Set for 2X2 Edgelit panel

Set for 1X4 Edgelit panel

Components	Material / size	Qty	Material / size	Qty
Stainless Steel Hook	SPCCT=2	4	SPCCT=2	4
Sling (Wire)	Main (adjustable) wire length: 1400 mm Separate wire length 560 mm	2	Main (adjustable) wire length: 1400 mm Separate wire length 310 mm	2
Self-tapping screw	SUS304 M4*6	8	SUS304 M4*6	8
Description	SUSPENSION KIT 2X2 LED PANEL SUSPENSION KIT 2X2 LED PANEL DS		SUSPENSION KIT 1X4 LED PANEL SUSPENSION KIT 1X4 LED PANEL DS	

Features

- UGR<19(Optional)
- Flicker free
- High performance, low THD
- IP20
- 5-year warranty (please refer to the warranty condition.)

Alrouf Seires is an EU-Standard flicker-free LED Panel Light with the maximum output power of 66W. Its input voltage range is 220-240Vac, its output voltage range is 25-40Vdc and its output current range is 1350-1550mA. Color temperature can be 3000K, 4000K, 5000K and 6000-6500K. UGR can be 19.

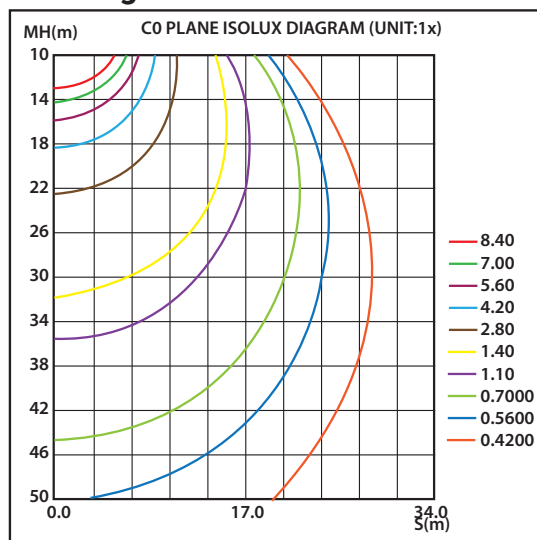
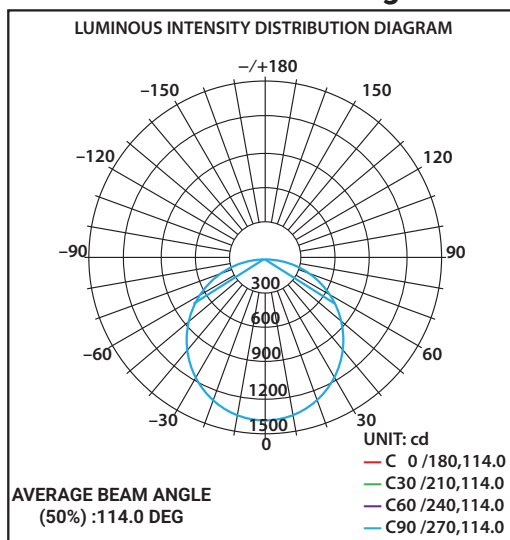
Electrical Characteristics 1

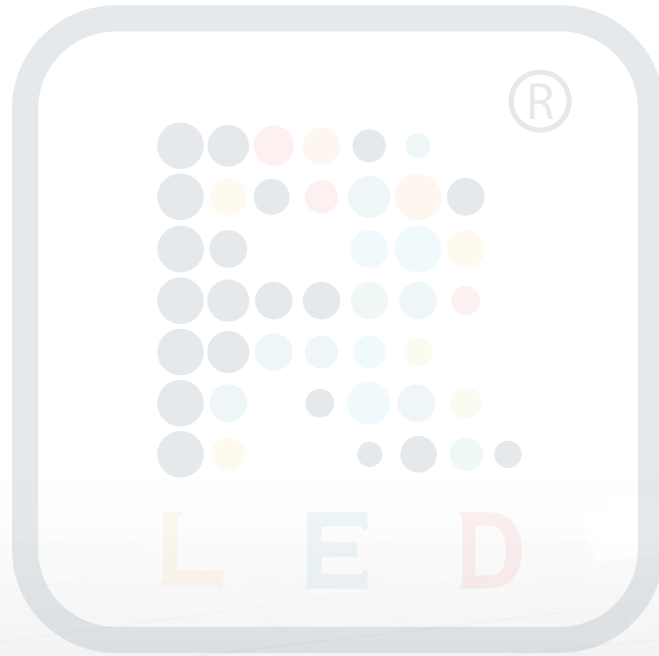
	Lighting Efficacy	100lm/w,125lm/w,			
	CRI/RA	80			
	Color Temperature	3000K,4000K,5000K,6000K,6500K±200K			
	Backboard	>0.5			
	Start-up Time	<0.5S@230Vac			
	Input Voltage	220-240Vac (voltage limit: 198-264Vac)			
	Input Frequency	50/60Hz			
	Power Factor	≥0.95@230Vac			
	THD	≤20%@230Vac			
	Efficiency	≥87%	≥87.5%	/	/
	Short Circuit Protection	Hiccup mode (auto-recovery)			
Environment Descriptions	Operating Temperature	-30°C ± 50°C			
	Operating Humidity	20-90%RH (no condensation)			
	Storage Temperature/Humidity	-30°C - 80°C (six months under class I environment); 10-90%RH (no condensation)			
	Atmospheric Pressure	86kPa~106kPa			
Safety & Electromagnetic Compatibility	Certifications	ENEC, CE, CB, RCM, RoHS,GS			
	Withstanding Voltage	I/P-O/P: 3.75kV 5mA 60S			
	Insulation Resistance	I/P-O/P: >100MΩ@500Vdc			
	Safety Standards	ENEC: EN60598-1: 2021, EN 60598-1: 2021/A11: 2022, EN 62384: 2016/A1: 2009; CE-LVD: EN 61347-2-13: 2014/A1: 2017, EN 61347-1: 2015, EN 62493: 2015; CB: IEC 61347-1: 2015, IEC61347-2-3: 2014, IEC 61347-2-13: 2014/AMD1: 2016; SAA: AS 61347.2-13: 2018; CCC: GB19510.1-2009, GB19510.14-2009			
	EMI	CE-EMC/RCM: EN55015, EN61000-3-2, EN61000-3-3 CCC:GB/T17743, GB17625.1, GB17625.2			
	EMS	CE-EMC/RCM: EN61000-4-2, 3, 4, 5 (lightning strike 1kV), 6, 11 CCC: GB/T17626.2, 3, 4, 5 (lightning strike 1kV), 6, 11			
Others	IP Rating	IP20/IP40 /IP54			
	RoHS	RoHS RoHS 2.0 (EU) 2015/863			
	Warranty Condition	5 years (Tc≤89°C)			

Alrouf Electrical Panel Models

Model name	Input voltage (class III panel)	Input current (class III panel)	Rated power (W)	Class II LED driver no.	Dimension (mm)
OP-WS-PL33-18WBL	30-42 Vdc	0,45A	18	BK-PUL042A -1100Ad CertaDrive 44W 0.9/1.05A 42V 230V I	300*300
OP-WS-PL33-24WBL		0,6A	24		300*300
OP-WS-PL36-18WBL		0,45A	18		300*600
OP-WS-PL36-24WBL		0,6A	24		300*600
OP-WS-PL36-36WBL		0,9A	36		300*600
OP-WS-PL44-36WBL		0,9A	36		400*400
OP-WS-PL3012-30WBL		0,8A	30		300*1200
OP-WS-PL3012-36WBL		0,9A	36		300*1200
OP-WS-PL3012-40WBL		1A	40		300*1200
OP-WS-PL3012-42WBL		1,05A	42		300*1200
OP-WS-PL3012-48WBL		1,2A	48		300*1200
OP-WS-PL6012-48WBL		1,2A	48		600*1200
OP-WS-PL6012-66WBL		1,1A	45		600*1200
OP-WS-PL6012-72WBL		1,05A	42		600*1200
OP-WS-PL6262-24WBL		0,6A	24		620*620
OP-WS-PL6262-36WBL		0,9A	36		620*620
OP-WS-PL6262-30WBL		0,8A	30		620*620
OP-WS-PL6262-40WBL		1A	40		620*620
OP-WS-PL6262-48WBL		1,2A	48		620*620
OP-WS-PL66-24WBL		0,75A	24		600*600
OP-WS-PL66-30WBL		0,8A	30		600*600
OP-WS-PL66-36WBL		0,9A	36		600*600
OP-WS-PL66-40WBL		1A	40		600*600
OP-WS-PL66-42WBL		1,05A	42		600*600
OP-WS-PL66-45WBL		1,1A	45		600*600
OP-WS-PL66-48WBL		1,2A	48		600*600

Light Distribution Diagram





الرووف
LIGHTING TECHNOLOGY CO., Ltd.



شركة الرووف
لتقنية الإنارة المحدودة

Dammam
Prince Metib st, Izdhar District
Alrouf Trading Building
Tel/Fax : 966 13 8588556
sales@alroufled.com

Jeddah
Commercial center for
Dr. Hassan Nasr, Baladiyah St.,
Al Aziziyah.
Tel : +966-56 472 7973

www.alroufled.com